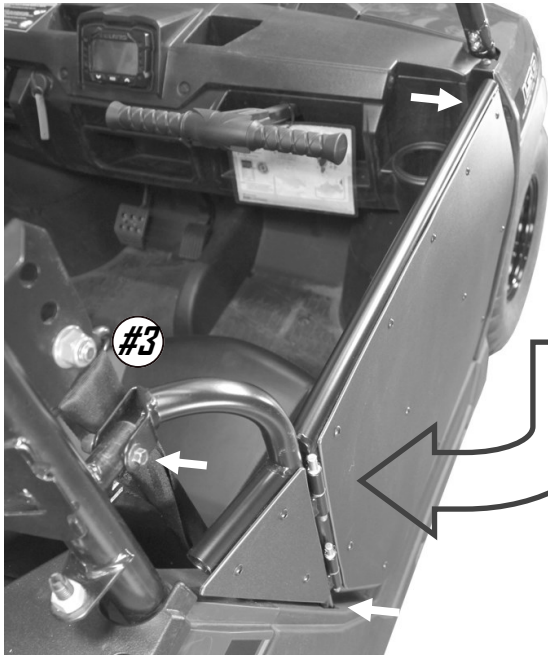


# Polaris Ranger 150 Complete door kit (2018+)

First,  
Remove Stock door nets,  
and rear retention bar

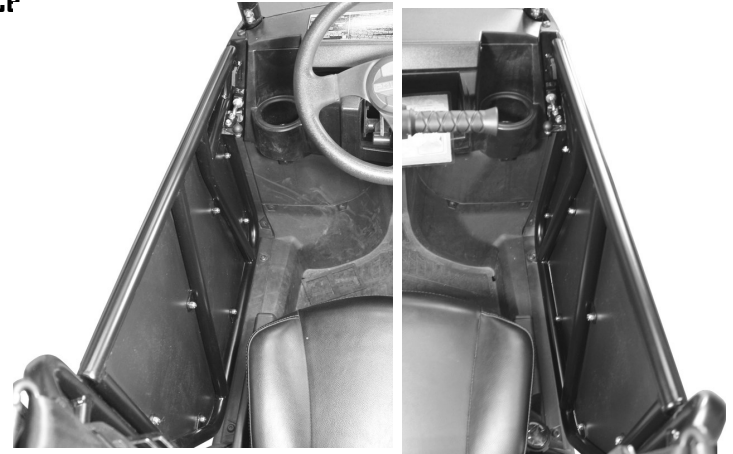


Second,  
install door latch bracket and foam,  
Reusing T-40 torx head bolts



Third,  
fasten rear door hinge  
mounting to UTV frame.  
Latch front of door to bracket and  
make adjustments before fastening  
bolts securely in place

Inside clearance  
(images for reference)



**#4** Fourth,  
Ensure all bolts are fastened securely  
check door opening clearance,  
and latch closing is correct  
before use



# *Polaris Ranger 150 (2018+) Other Accessories*

*Check out our other Ace 150 Accessories online at*

*[www.Factoryutv.net](http://www.Factoryutv.net)*



*-UHMW Skid Plates*  
*-A-Arm Guards*  
*-swing arm protection*



*As well as a*  
*rear lower transmission bar*

