

**Contact Us: *FACTORY UTV LLC***

9237 Beatty Drive Sacramento, CA 95826

Phone : (916) 383-2730

E-mail : [info@factoryutv.net](mailto:info@factoryutv.net)

Go online: [www.Factoryutv.net](http://www.Factoryutv.net)



## **U.H.M.W. Skid Plate / Under Armor Package**

*Ultra. High. Molecular. Weight. polyethylene all terrain skid plate / under armor kit for UTV's*

### **Installation Guide**

## **Polaris RZR**

### **Pro R (2022+)**



# Polaris RZR Pro R (2022+) Instructions

First Remove stock skid and Complete Steps: A, B, and C On bracket installation page 3.

Save all Stock Hardware for future steps,

Install Extension Bracket. Remove and cut Quarter Guards. Ensure all are in place before skid plate install.

#1.a

## Main Skid Plate :

Install main skid plate using: ( 2x ) Stock Bolts and washers ( M6 - 1.0x 20mm ) *In Main Skid Center: ( A.1 ) locations, Fasten bolts loosely, holding skid in place and to allow for adjustments during install.*

Install: ( 7x ) M6- 1.0 x 25mm Flange Bolt and Counter Sunk Washer *In Main Skid: ( D ) locations*

Install: ( 2x ) M6- 1.0 x 35mm Flange Bolts *In main skid : ( E ) locations.*

- Disregard B locations until later steps.

#2

## Fore Mount Guards :

Install Trailing Arm Fore Mount Guards: with ( 1x ) ¼"-20 x ¾" Counter sunk Bolt in center ( L ) locations, center guard in the middle. Mark, drill and tap remaining ( L ) locations. Then install with ( 2x ) ¼"-20 x ¾" Counter sunk Bolt in remaining ( L ) locations on each guard.

\*Note direction\*

#3

## Rear Skid Plate:

Align edge with main skid plate, Install: ( 6x ) M6- 1.0 x 20mm: stock A.1 bolts *In Rear Skid: ( A:1 ) locations.*

*\*IF installing with X-brace, install in-between skid and chassis frame before bolting in place. Back out bolts and re-install with washers.*

Install: ( 1x ) M6-1.0 x 20mm Flange Bolts *In Rear Skid: ( C ) location,*

Install: ( 2x ) M6-1.0 x 30mm Flange Bolts *In Rear Skid: ( F ) locations.*

Install: ( 2x ) M6- 1.0 x 30mm: stock A.2 bolts *In Rear Skid: ( A:2 ) locations.*

*Fasten bolts loosely for alignment and adjustments, fasten all bolts securely when aligned.*

Mark, drill, tap and install ( 2x ) ¼"-20 x ¾" Self Tapping Bolts for remaining ( B ) locations.

Skid will curve and bend up towards frame during install, Fasten a little on each side to aid install. Skid plate will form to vehicle over time.

#1.b

## Main Skid Plate B :

Mark, drill, tap and install (6x) ¼"-20 x ¾" Self Tapping Bolts for remaining ( B ) locations. Fasten all bolts securely.

#4

## Front Diff. Skid Plate :

Align edge with Main Skid, mark drill and tap ( 6x ) ( B ) Front Diff. locations.

loosely install ( 6x ) ¼"-20 x ¾" Self Tapping Bolts in ( B ) locations.

Align and adjust for best fit and fasten all bolts securely.



\*(Align Edge)

## \* Drilling Instructions : \*

Use a : #N<sub>o</sub>7 ( 13/64<sup>th</sup> ) drill bit,

( one size above the commonly available 3/16<sup>th</sup> bit ) use of ¼"- 20 Tap \*(Required )

To drill and thread self tapping bolts in to chassis frame.

Finger Thread All Bolts Prior To Fastening Securely With Power Tools.

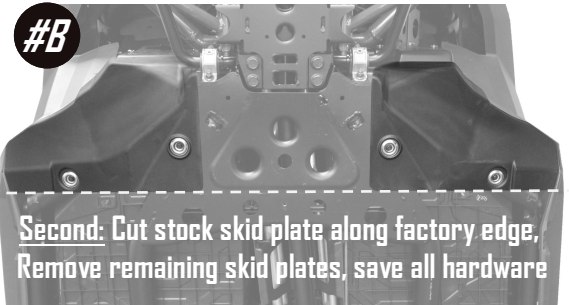
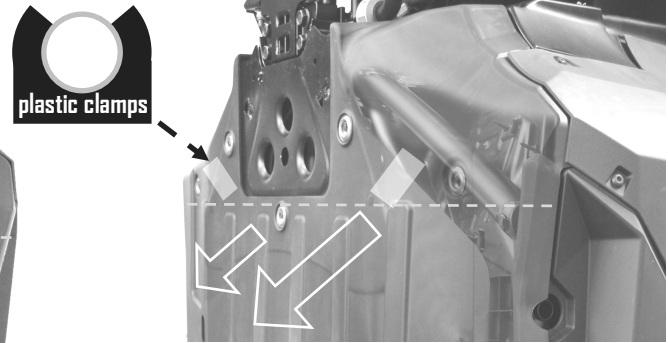
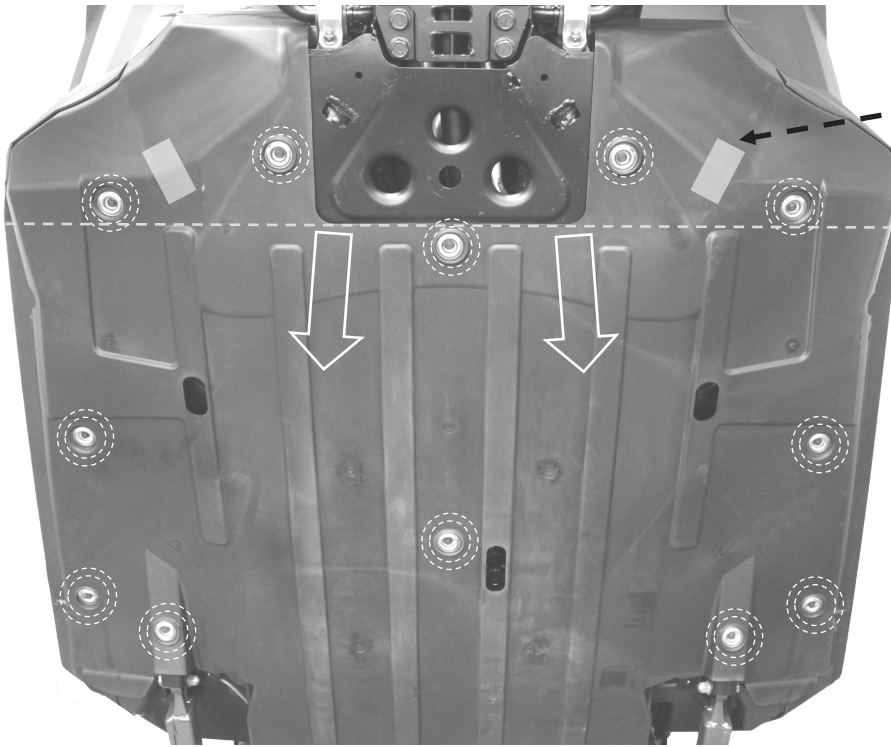
We strongly recommend the use of a "Thread Locking Compound" when installing any mounting hardware.

( When installation is complete , ensure all bolts are fastened securely.)

# Bracket Installation page

- A.) Remove stock skid plate, save stock hardware for later steps.
- B.) Cut quarter guards at factory edge across stock skid plate.
- C.) Install Extension bracket

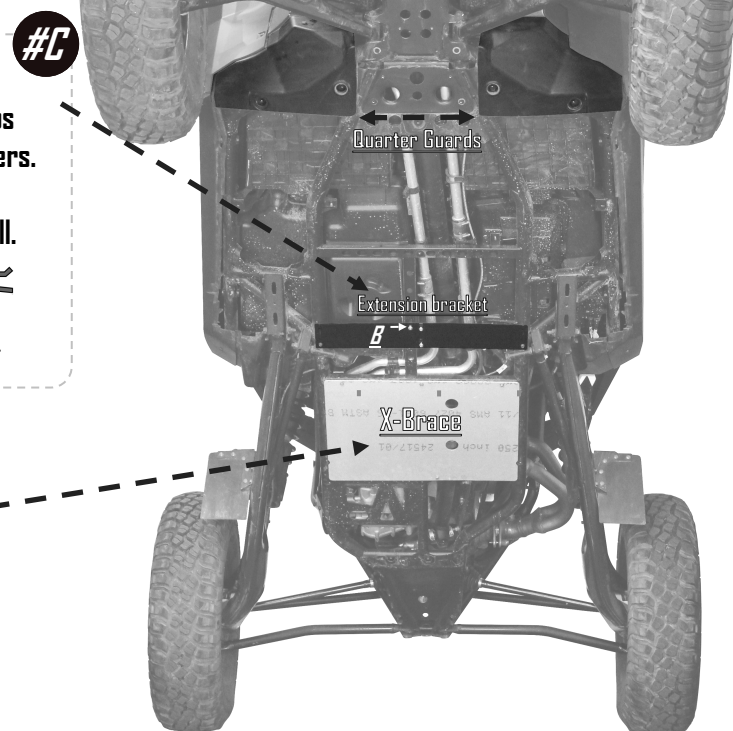
**#A First:**  Un-fasten stock bolts, and save hardware for later steps.



**Second:** Cut stock skid-plate along factory edge, Remove remaining skid plates, save all hardware

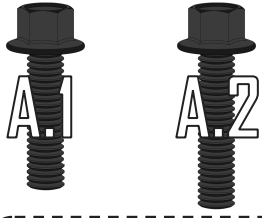
**Install Extension bracket with  = T40**  
 (1x) M8 1.25 x 20mm Button head Torx Bolt *in B location*, with j-clip tips pointing upward towards the vehicle. Install bolts loosely, with out washers.

Install 2x stock (A:1) bolts without washers loosely in each corner,  
 Install 2x (C) bolts without washers loosely in J-clips to aid with install.

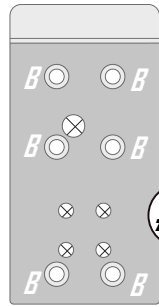


**#X**  
**\*if X-Brace**  
 Install with (6x) A:1 Stock Bolts *in A:1 locations*,  
 Install bolts loosely, with out washers to hold in place.  
 (Re-fasten with washers during skid plate installation)

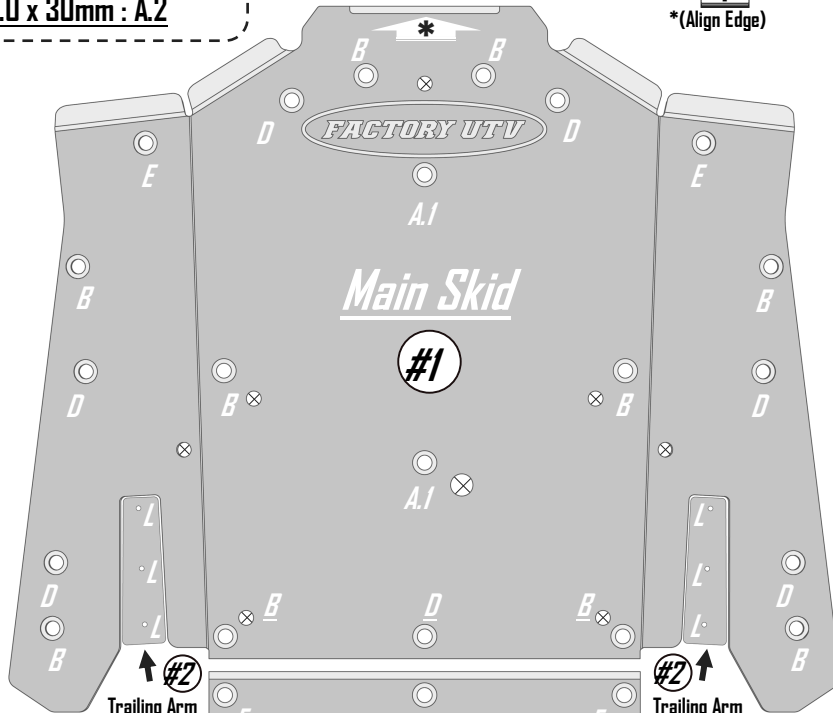
# Polaris RZR Pro R (2022+) Skid Plate Installation



Re-use 18 Stock Bolts & washers  
 M6- 1.0 x 20mm : A.1  
 M6- 1.0 x 30mm : A.2



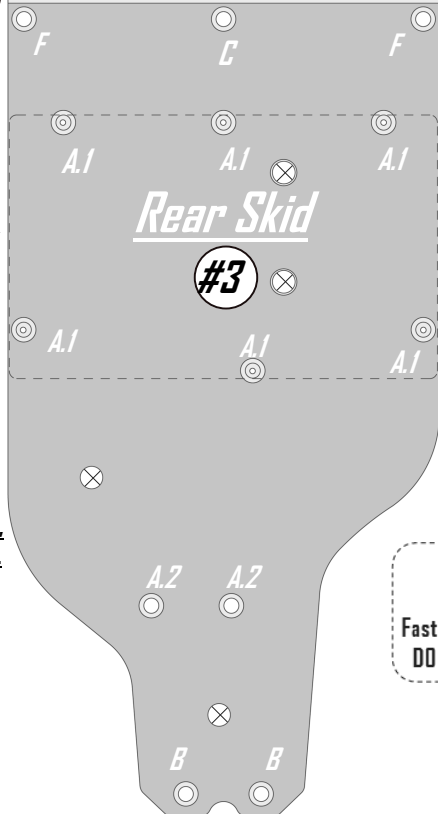
Front Diff Skid



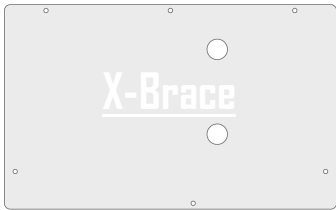
Main Skid

#2 Trailing Arm Fore Mount Guards

#2 Trailing Arm Fore Mount Guards



Rear Skid

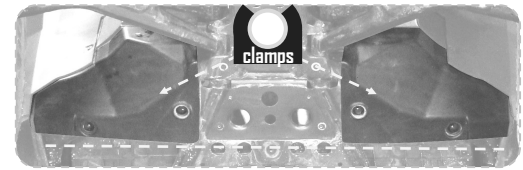


\*If Installing X-Brace  
 Mount in between skid and chassis frame.  
 X- brace uses same rear skid mounting.

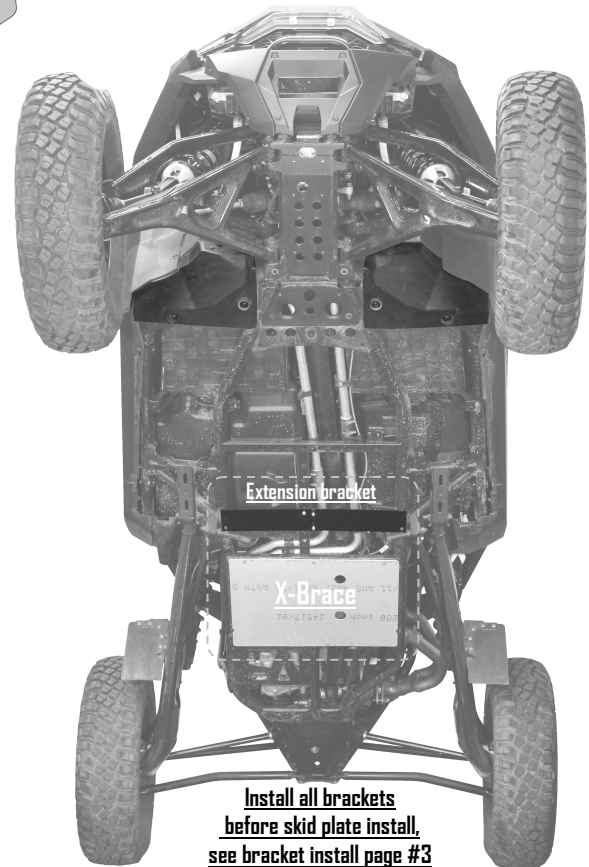
Fasten bolts until flush  
 DO NOT over tighten

### Installation Requires:

★ = T40    ⬤ = 5/32  
 ⬡ = 10mm    ⬢ = 3/8  
 Drill Bits (1/4"-20) Tap  
 13/64<sup>th</sup>



Cut and re-use stock skid plate "front quarter" guards  
 Use the center opening's "factory edge" to mark across stock skid, below the bottom (2x) bolt cups. Cut guard as needed.  
 Re-attach with built in plastic clamps, before skid installation  
 skid plate utilizes same bolt locations.





Install all brackets before skid plate install, see bracket install page #3


⊗ = Drainage Holes  
 Do Not Use For Mounting

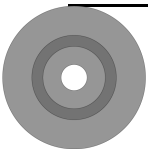


**#1 Main Skid Large bag:**


 10x  
 1/4"-20 x 3/4" Self Tapping Bolt (#B-D:2)

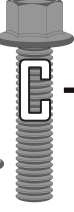
 7x  
 M6- 1.0 x 25mm Flange Bolt (#B-A:6)


 2x  
 M6- 1.0 x 35mm Flange Bolt (#B-A:8)


 13x  
 Counter Sunk Washers (#W-1)

**#7 Rear Skid small bag:**


 2x  
 1/4"-20 x 3/4" Self Tapping Bolt (#B-D:2)


 1x  
 M6- 1.0 x 20mm Flange Bolt (#B-A:5)

 2x  
 M6- 1.0 x 30mm Flange Bolt (#B-A:7)


 3x  
 Counter Sunk Washers (#W-1)

**#5 Front Diff Skid small bag:**

 6x  
 1/4"-20 x 3/4" Self Tapping Bolt (#B-D:2)

 6x  
 Counter Sunk Washers (#W-1)



**#3 Fore arm guard small bag:**

 6x  
 1/4"-20 x 3/4" Counter sunk Bolt (#B-D:2)



**Reuse 18 Stock Bolts & washers**


M6- 1.0 x 20mm : A.1

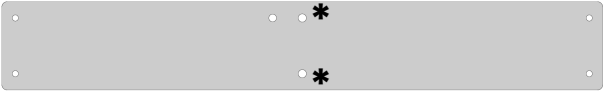
M6- 1.0 x 30mm : A.2

**#C Extension Bracket small bag:**

  = T40 1x  
 M8 1.25x20mm Button head Torx Bolt (#B-B:6)

 2x  
 J-Clip (installed on bracket) (#N-13)

 1x

**Pro R Extension Bracket (#E-B:17)**