

Contact Us: *FACTORY UTV LLC*

9237 Beatty Drive Sacramento, CA 95826

Phone : (916) 383-2730

E-mail : info@factoryutv.net

Go online: www.Factoryutv.net



U.H.M.W. Skid Plate / Under Armor Package

Ultra. High. Molecular. Weight. polyethylene all terrain skid plate / under armor kit for UTV's

Installation Guide (Skid Plate / Rocksliders)

Polaris RZR 900 – 1000 S (2014 - 2021+)

Skid Plate Fit: 900, 900 S, 900 Trail, 900 XC, 1000 S



Polaris RZR 900 - 1000 S Instructions

Remove stock skid plate and re-use stock hardware as needed in all (A) locations.

Skid's will form to vehicle during installation.

#1

Main Skid Plate :

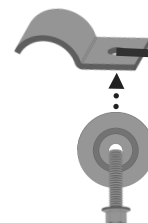
Install using : (10x) Stock Bolts *in Main Skid: (A) locations,*
Install: (4x) M6-1.0 x 25mm Flange Bolts with "D" Clamps *in Main Skid: (D) locations.*
Fasten bolts loosely to aid in fitment, Defer side (B) locations Until Step (#4).



#2

Rear Skid Plate :

Align edge with main skid plate
Install: (2x) M6-1.0 x 30mm Flange Bolts *Rear skid: (F) locations.*
(See Drilling Instructions Below) mark and drill for *Rear skid: (B) locations.*
Install: (3x) 1/4"-20 x 1" Self Tapping Bolts *in Rear skid: (B) locations.*



#3

Diff. Skid Plate :

(See Drilling Instructions Below) Align edge with Main Skid. Mark, drill and
install: (4x) 1/4"-20 x 3/4" Self Tapping Bolts *in Diff. Skid : (C) locations.*



#4

Side Mounts (B):

(See Drilling Instructions Below)
Align, mark, drill, and Install: (8x) 1/4"-20 x 1" Self Tapping Bolts *in Main Skid : (B) locations.*



RS

If Rock Sliders :

Use: (8x) 1/4"-20 x 1 1/4" Self Tapping Bolts, "RS" bolts *In main skid : (B) locations.*
In lieu of side bolts (1/4"-20 x 1" Self Tapping Bolts) Place Rockslider in-between skid and chassis Frame.



* Drilling Instructions : *

Use a : #N^o7 (13/64th) drill bit,
(one size above the commonly available 3/16th bit) Recommended 1/4" - 20 Tap *(Optional)

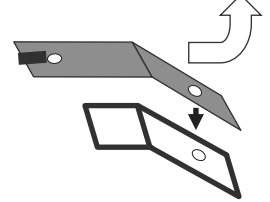
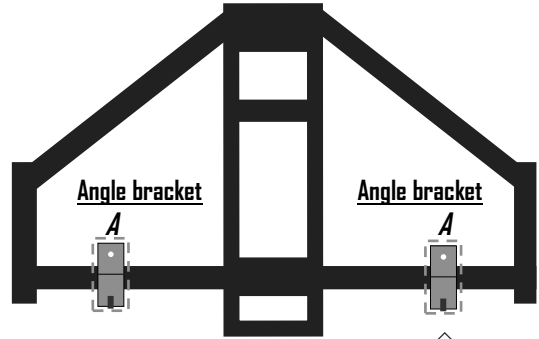
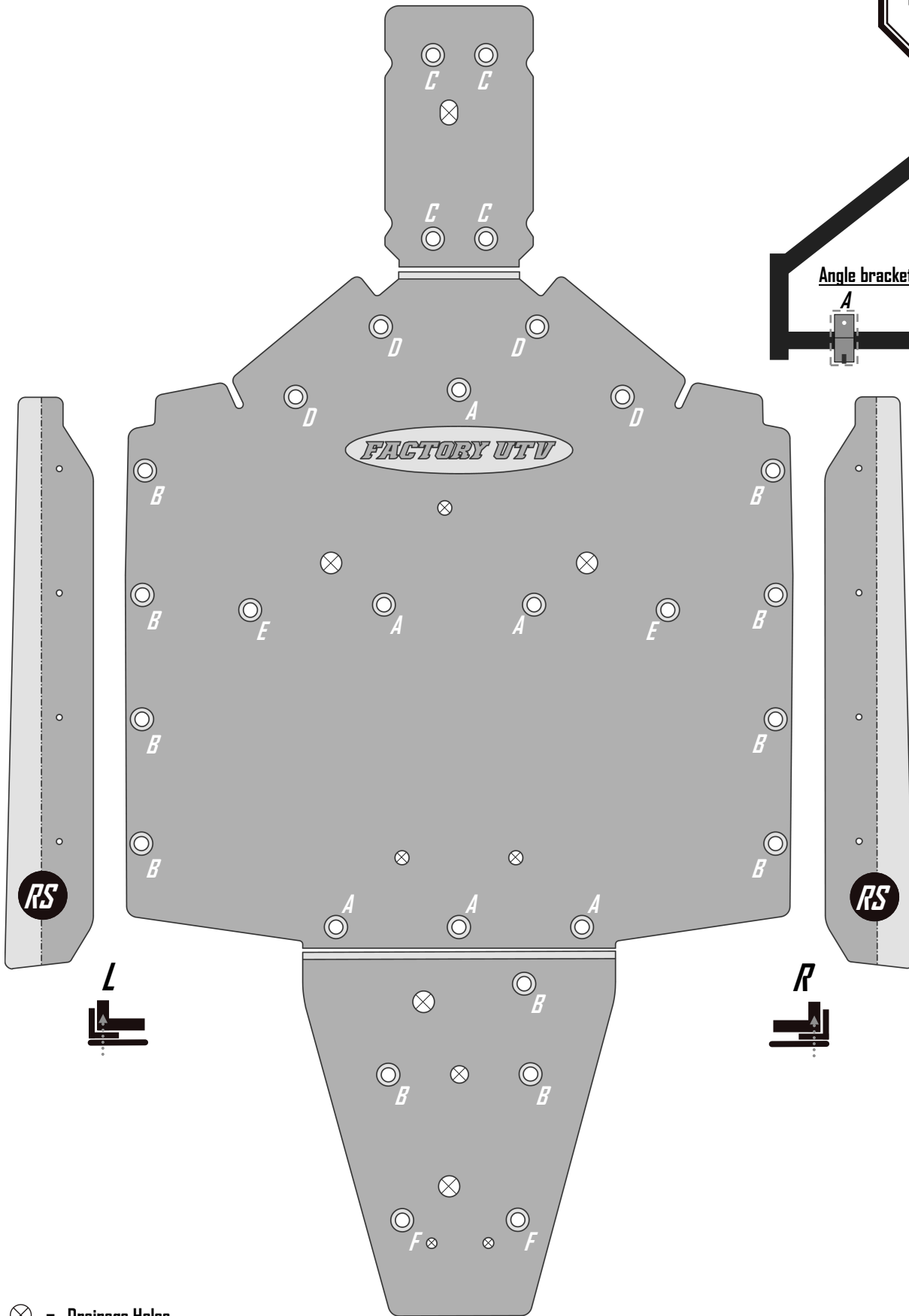
To drill and thread self tapping bolts in to chassis frame.

Finger Thread All Bolts Prior To Fastening Securely With Power Tools.

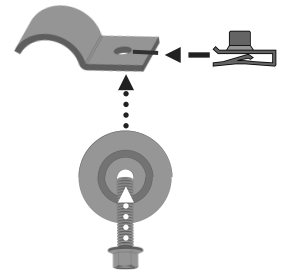
We strongly recommend the use of a "Thread Locking Compound" when installing any mounting hardware.
(When installation is complete , ensure all bolts are fastened securely.)

Polaris RZR 900 & RZR 1000 S

Read :
 Instructions on pg.#2
 Remove stock skid plate,
 Reuse hardware as needed.
 Skid plate will form to fit.
 See drilling instructions
 prior to drilling.



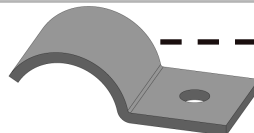
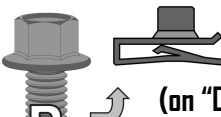
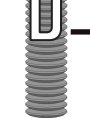
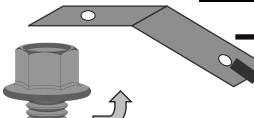
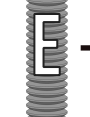

**Thread self tapping
 stock "A" bolts
 in to stock hole location
 for angle bracket mounts**



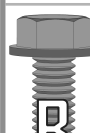

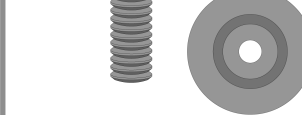
⊗ = Drainage Holes
 Do Not Use For Mounting

Polaris RZR 900 & RZR 1000 S *Packing list*


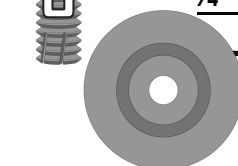
#1 *Main Skid : large bag*

-  1 1/2" x 1 1/4" s "D" Clamps (#C-D:4) **4x**
-  (on "D" clamps and brackets) J-Clip (#N-13) **5x**
-  MG- 1.0 x 25mm Flange Bolt (#B-A:6) **4x**
-  Angle brackets (#C-M:3) **2x**
-  MG- 1.0 x 20mm Flange Bolt (#B-A:5) **2x**
-  Counter sunk washers (#W-1) **4x**

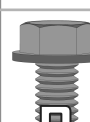

#2 *Rear Skid : small bag*

-  1/4"-20 x 1" Self Taping Bolt (#B-D:3) **3x**
-  MG- 1.0 x 30mm Flange Bolt (#B-A:7) **2x**
-  Counter sunk washers (#W-1) **3x**

#3 *Front diff : small bag*

-  1/4"-20 x 3/4" Self Taping Bolt (#B-D:2) **4x**
-  Counter sunk washers (#W-1) **4x**

#4 *Side bolts : small bag*

-  1/4"-20 x 1" Self Taping Bolt (#B-D:3) **8x**
-  Counter Sunk Washers (#W-1) **8x**
-  *RS* **If : Rock Slider 's replace >** **8x**
-  1/4"-20 x 1 1/4" Self Taping Bolt (#B-D:4) **8x**