

Contact Us: **FACTORY UTV LLC**

9237 Beatty Drive Sacramento, CA 95826

Phone : (916) 383-2730

E-mail : [info@factoryutv.net](mailto:info@factoryutv.net)

Go online: [www.Factoryutv.net](http://www.Factoryutv.net)



## U.H.M.W. Skid Plate / Under Armor Package

*Ultra. High. Molecular. Weight. polyethylene all terrain skid plate / under armor kit for UTV's*

**Installation Guide** (Skid plate and Rock sliders)

***Honda***

***Talon 1000 4X***



# Honda Talon 1000 4X (2019+) Instructions

#1

## Remove stock skid plate and re-use stock washers as needed

Install: 2x Extension Brackets: Using (3x) M6-1.0 x 20mm Flange Bolts in (-C-) locations on each bracket, with out counter sunk washers  
Or/ 1x Extension Bracket with Aluminum X-Brace: Using (3x) M6-1.0 x 20mm Flange Bolts in (-C-) locations,  
on each bracket, with out counter sunk washers. Fasten bolts loosely, to be Re-installed with washers during main skid installation.

#2

## Main and Mid Skid Plate :

Once Extension Brackets and/or X-brace is installed,

Install: (9x) M6-1.0 x 20mm Flange Bolts and counter sunk washers *in main skid: (C) locations.*

*In (-C-) Extension Bracket locations, remove and reinstall bolt with countersunk washer, repeat steps for remaining (-C-) Locations.*

Install: (7x) M6-1.0 x 20mm Flange Bolts and counter sunk washers *in mid skid: (C) locations.*

*Fasten bolts loosely to allow for adjustment during install, disregard drilled (B\*) locations until Rear skid plate is installed.*

#3

## Rear Skid Plate :

Align edge with main skid plate,

Install: ( 9x ) M6-1.0 x 20mm Flange Bolts in *rear skid: (C) locations. Fasten bolts loosely for installation adjustments.*  
*(\* If installing with X-brace in place, use (F) bolts in lieu of: (E) bolts and spacers, X-brace does not require spacers. )*

Install: (6x) M6-1.0 x 30mm Flange Bolts with (6x) 1/2" Nylon Spacers in *rear skid: (E+ ) locations.*

*Mark (A\*) locations , drill ( 9/32 ) mounting holes and Install :*

(2x) 1/4"-20 x 3/4" Flange Bolts with (2x) 1/4"-20" Flange Nuts in *rear skid: (A\*) locations.*

*Fasten all Rear skid bolts securely.*



#4

## For remaining Main & Mid Skid: (B\*) locations:

Once rear skid is fastened securely, mark, drill, and install: (6x) 1/4"-20 x 3/4" Self Tapping Bolts in remaining Main & Mid skid: (B\*) locations.

#5

## Front Diff Skid Plate :

Align edge with main skid plate, hold front diff skid in place using \* Clamps. Once positioned, mark and drill  
(4x) 13/64<sup>th</sup> mounting holes in front diff skid (B) locations, Install: (4x) 1/4"-20 x 3/4" Self Tapping Bolts.

Drill (4x) 9/32<sup>nd</sup> mounting holes in front diff skid (D) locations, Install: (4x) 1/4"-20 x 3/4" Flange Bolts with (4x) 1/4"-20 x 3/4" Flange Nuts.  
*moving clamps along to help shape and bend up front of skid to frame during installation.*



#6

## Rock sliders :

Once main skid is installed, before installing Rock sliders:

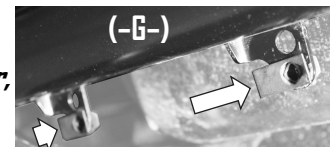
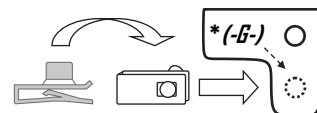
Temporarily remove stock side plastic /or pull aside, drill (4x) 3/8" holes in stock metal bracket in (-G-) rear locations.

Install: (4x) J-clips in rear (-G-) locations on each side, with J-clip tip pointing inward, towards UTV : see (-G-) diagrams.

Install: (14x) M6 1.0 x 25mm Hex Flange Bolt in (H) locations from the bottom.

Then Install: (18x) M6 1.0 x 35mm Button head Bolt in (G) and (-G-) locations,  
*Fasten forward bolts first, then fasten remaining bolts, starting from front to rear,  
do not over tighten. UHMW will form as fastened, to contour and fit side of UTV.*

*When installation is complete, ensure all bolts are fastened securely.*



## **\* Drilling Instructions : \***

For Self tapping bolt locations: Use a : ( 13/64<sup>th</sup> ) drill bit,

( one size above the commonly available 3/16<sup>th</sup> bit ) Recommended 1/4"-20 Tap \*(Optional) To drill and thread self tapping bolts in to chassis frame.

Drilling required for nut and bolt locations: Use a : ( 9/32<sup>th</sup> ) drill bit.

## Finger Thread All Bolts Prior To Fastening Securely With Power Tools.

We strongly recommend the use of a "Thread Locking Compound" when installing any mounting hardware.

( When installation is complete , ensure all bolts are fastened securely.)

# Honda Talon 1000 4X (2019+) Instructions

Drill ( $\frac{9}{32}$ <sup>nd</sup>) mounting holes  
For nut and bolt (D) locations.

**Nut and bolt install tip:**  
some nuts may be easier to  
access from opposing side.

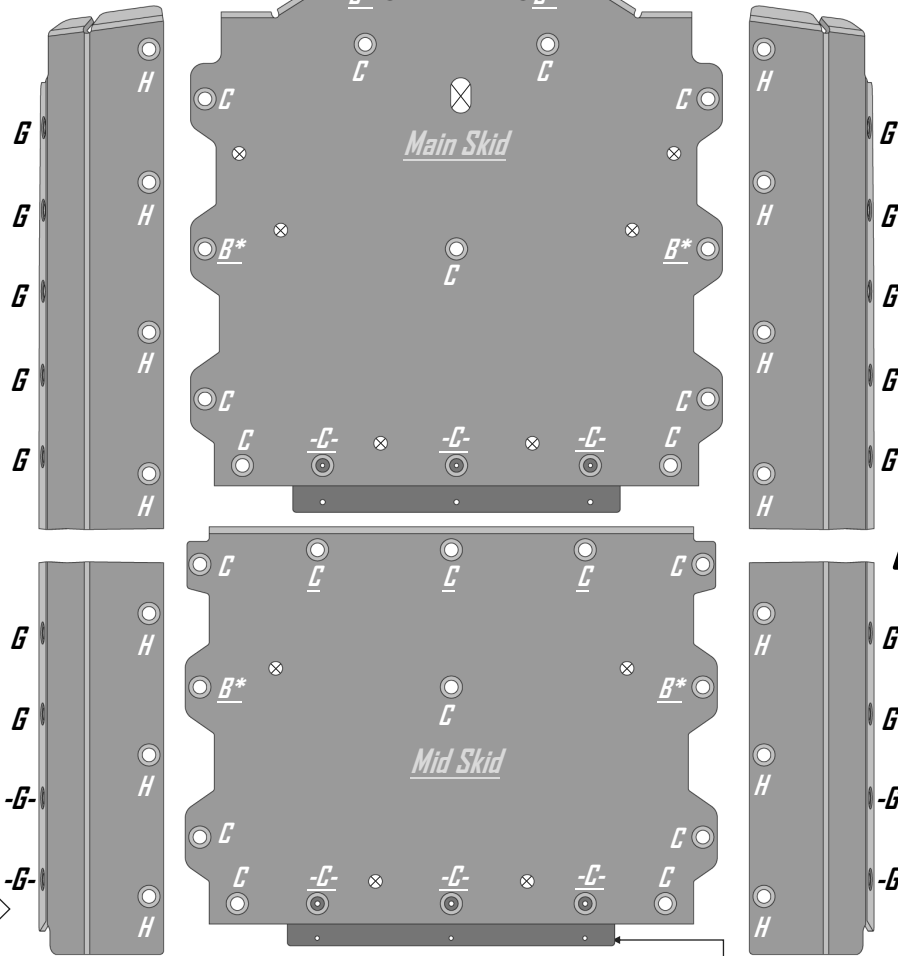
**\* (Align skid Edge)**

**Main skid B\* locations**  
Drill ( $\frac{13}{64}$ <sup>th</sup>) mounting holes  
For Self tapping bolt (B\*) locations

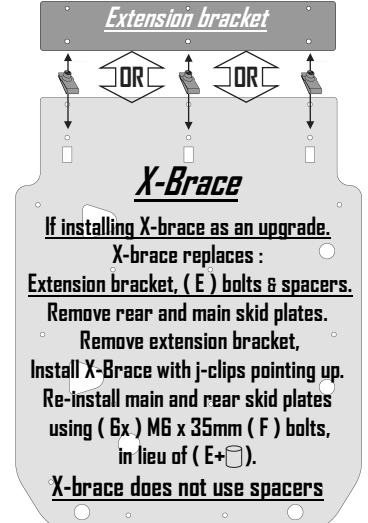
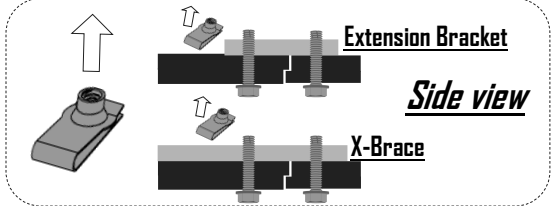
**\*Self tapping bolt Install tip:**  
Use of a  $\frac{1}{4}$ "-20 Tap is  
strongly recommended for  
threading thicker steel locations.  
To avoid snapping bolts.



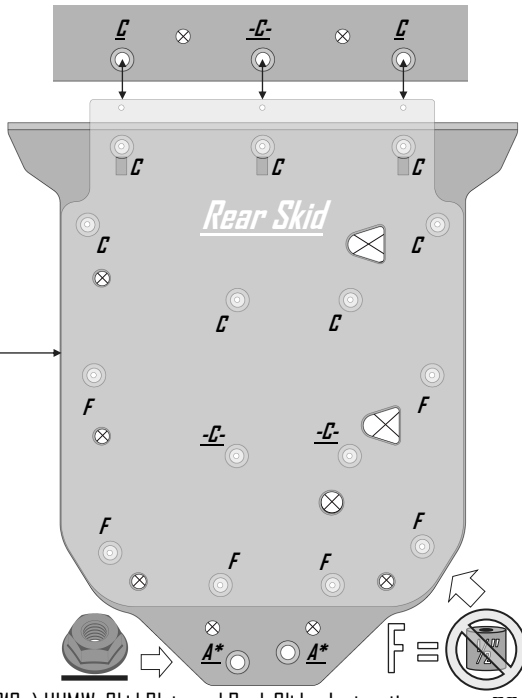
Remove stock skid,  
re-use washers as needed.  
Install bolts loosely for  
installation adjustments,  
Fasten when done.  
May need use of car jack  
and clamps.



**Extension bracket -OR- X-Brace install**  
Ensure j-clip tips are pointing up, towards vehicle.



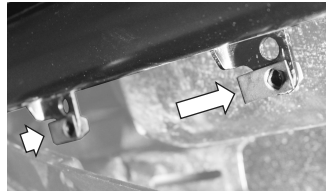
**Installation w/ Aluminum X-Brace**  
Replaces rear Extension Bracket



Pull Back on stock plastic  
to expose -G- locations,  
Re install stock plastic before  
installing Rock Sliders

**\*(-G-)**

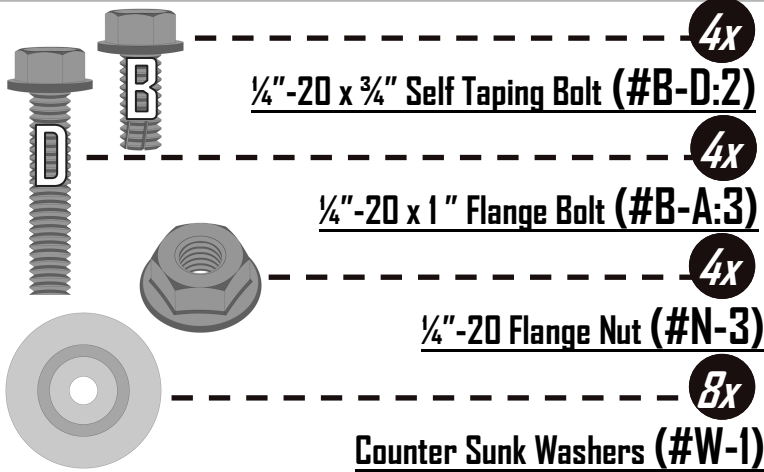
Drill  $\frac{3}{8}$ " hole in (-G-) locations,  
then install j-clips with tip  
pointing inwards towards UTV.



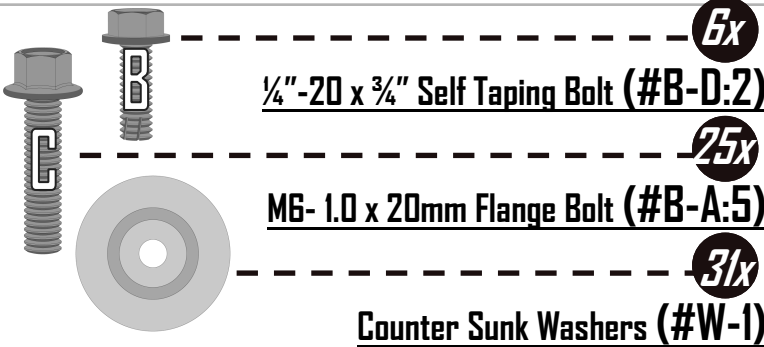
⊗ = Drainage Holes Do Not Use For Mounting

# Honda Talon 1000 4X (2019+) Skid Plate Hardware

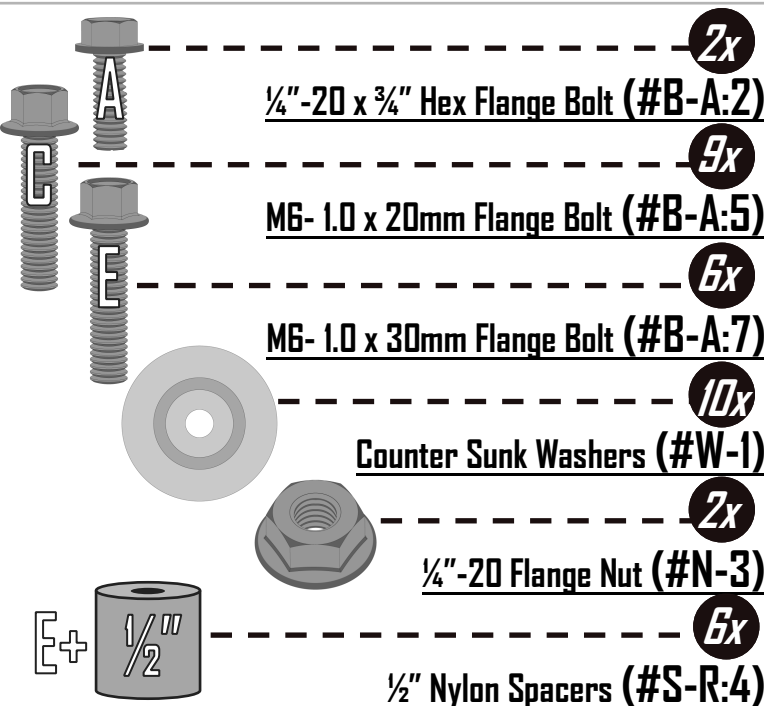
## #1 Front Diff Skid small bag:



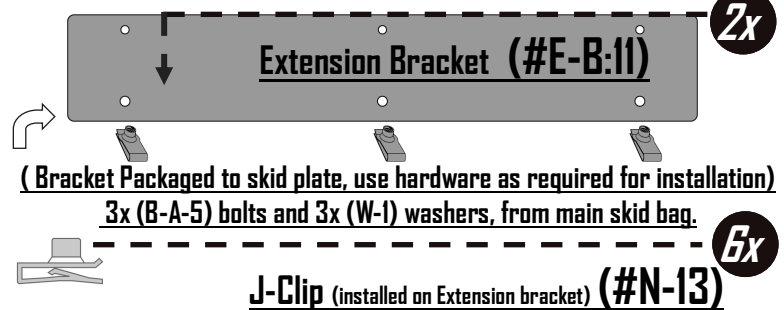
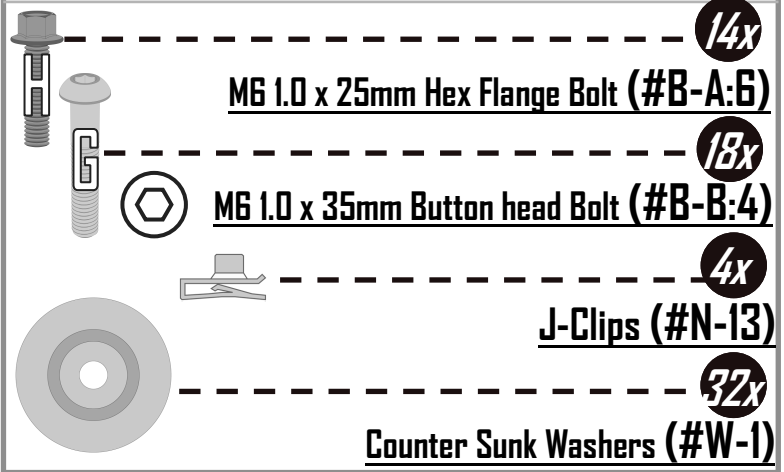
## #2 Main & Mid Skid Large bag:



## #3 Rear Skid Large bag:



## #4 Rock sliders small bag:



**\*if X-Brace:** use (3x) of J-clips above  
X-brace kit Replaces: 1 Extension Bracket, ( E ) Bolts + Nylon Spacers.  
With: ( 6x ) M6- 1.0 x 35mm ( F ) bolts, No spacers.

