

Contact Us: *FACTORY UTV LLC*

9237 Beatty Drive Sacramento, CA 95826

Phone : (916) 383-2730

E-mail : info@factoryutv.net

Go online: www.Factoryutv.net



U.H.M.W. Skid Plate and Rock Sliders Package

Ultra. High. Molecular. Weight. polyethylene all terrain skid plate / under armor kit for UTV's

Installation Guide

Polaris RZR

Turbo R (2022+)



Polaris RZR Turbo R (2022+) Skid Plate and Rock Sliders Instructions

***First Complete skid plate removal Steps: A and B On page 3.**

Install extension bracket step C On page 3.

If installing Rock Sliders / X-Brace options refer to step D and E On page 3.

#1.a

Main Skid Plate :

Install main skid plate using: (3x) Stock A.1 Bolts and washers (M6 - 1.0x 20mm bolts) *In Main Skid Center: (A.1) locations, Fasten bolts loosely, holding skid in place and to allow for adjustments during install.*

Install: (2x) M6- 1.0 x 25mm Flange Bolts and Counter Sunk Washers *In Main Skid: (D) location, - Disregard B, E, F, G drilled locations until later steps.*

#2

Fore Mount Guards :

Install Trailing Arm Fore Mount Guards: with (1x) ¼"-20 x ¾" Counter sunk Bolt in center (L) locations, center guard in the middle. Mark, drill and tap remaining (L) locations. Then install with (2x) ¼"-20 x ¾" Counter sunk Bolt in remaining (L) locations on each guard.

**Note Direction.*

#3

Rear Skid Plate:

Align edge with main skid plate, Install: (9x) Stock A.1 bolts *In Rear Skid: (A.1) locations.*

Install: (1x) M6- 1.0 x 20mm Flange Bolt *In Rear Skid: (C) location.*

**If installing with X-brace, install in-between skid and chassis frame before bolting in place. Back out bolts and re-install with washers.*

Fasten bolts loosely for alignment and adjustments, fasten all bolts securely when aligned.

Mark, drill, tap and install (2x) ¼"-20 x ¾" Self Tapping Bolts for remaining (B) locations.



#1.b

Main Skid Plate B :

Mark, drill, tap and install (6x) ¼"-20 x ¾" Self Tapping Bolts for remaining (B) locations. Fasten all bolts securely.

#4

Front Diff. Skid Plate :

Align edge with Main Skid, mark drill and tap (6x) (B) Front Diff. locations.

loosely install (6x) ¼"-20 x ¾" Self Tapping Bolts in (B) locations.

Align and adjust for best fit and fasten all bolts securely.



#5

Rock Sliders :

Install rock sliders in-between main skid and chassis frame, along the sides, aligning with brackets and mounting locations.

Install: (8x) M6- 1.0 x 25mm Flange Bolts *on Side Rock Slider: (D) locations loosely. (in to bracket J-clips, starting from rear to front)*

Install: (4x) M6- 1.0 x 45mm Flange Bolts *In main skid: (E) locations loosely.*

Install: (2x) M6- 1.0 x 50mm Flange Bolts *In main skid: (F) locations loosely.*

Mark, Drill, Tap and Install: (4x) ¼"-20 x 1 ½" Self Tapping Bolts *In main skid: (G) locations loosely.*

Adjust for best fit and fasten all Skid plate and rock slider bolts securely. — Ensure all bolts are fastened securely before use.



*** Drilling Instructions : ***

Use a : #Nº7 (13/64th) drill bit,

(one size above the commonly available 3/16th bit) use of ¼"- 20 Tap *(Required)

To drill and thread self tapping bolts in to chassis frame.

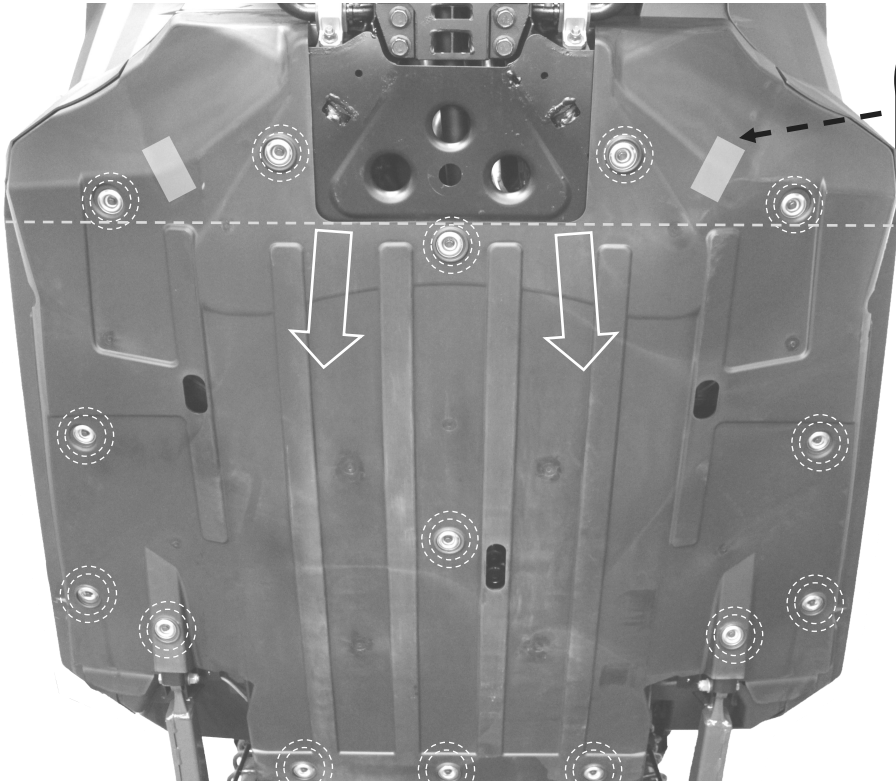
Finger Thread All Bolts Prior To Fastening Securely With Power Tools.

We strongly recommend the use of a "Thread Locking Compound" when installing any mounting hardware.

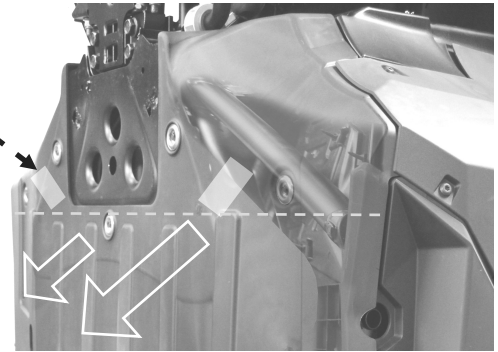
(When installation is complete , ensure all bolts are fastened securely.)

Bracket Installation page 3

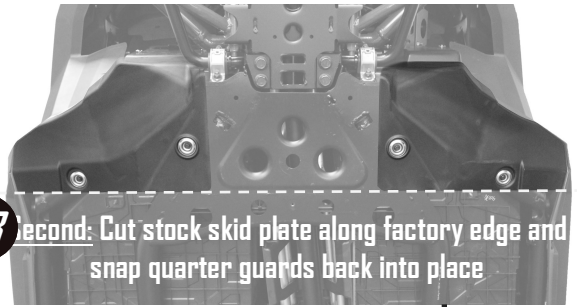
#A First:  Remove stock skid plate, and save hardware for later steps.



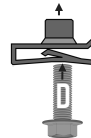
 plastic clamps



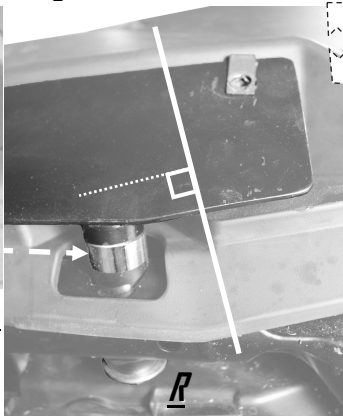
#B Second: Cut stock skid plate along factory edge and snap quarter guards back into place



#C **Install Extension bracket** with j-clip tips pointing upward towards the vehicle. Install 3x stock (A:1) bolts without washers loosely.

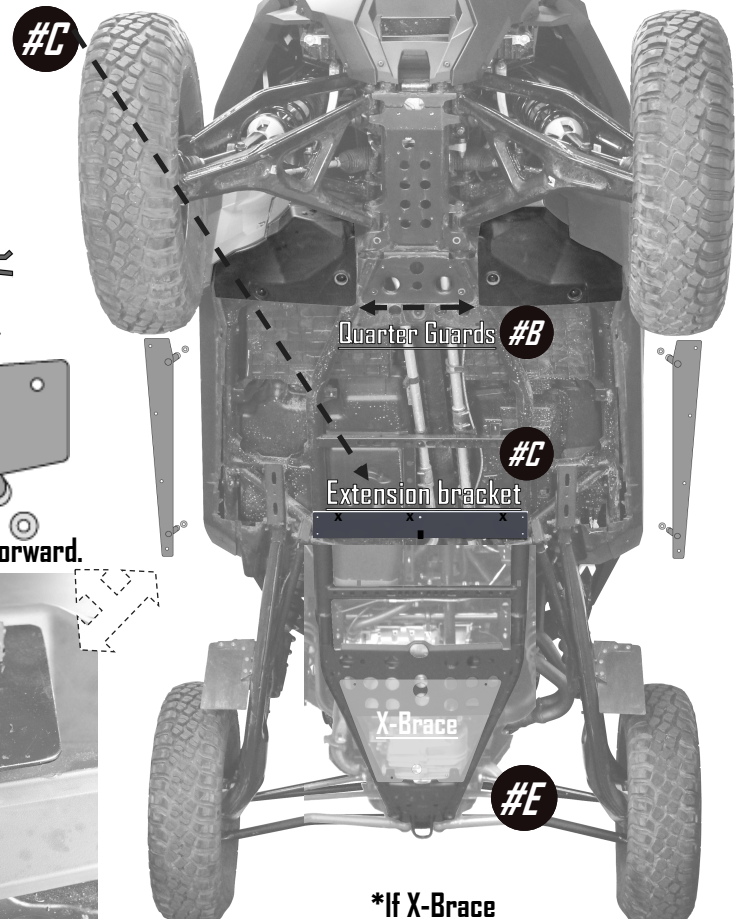


Install Rock Slider Mounting Bracket, through side mounting holes in chassis frame. Ensure larger end mounted forward.



Use spacers to align bracket until mount is flush with plastic




Using spacers as necessary to ensure even fitment, Install (2x) 3/8" flange bolts and (2x) zinc washers on the inside of the chassis tubing in (R) location's. Fasten bolts securely, (Use of thread locker recommended.)

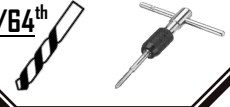
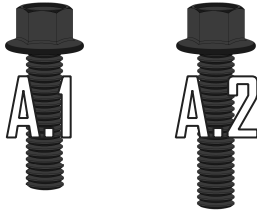


***If X-Brace**
Install with (4x) A:1 Stock Bolts in A:1 locations, Install bolts loosely, with out washers to hold in place. (Re-fasten with washers during skid plate installation)

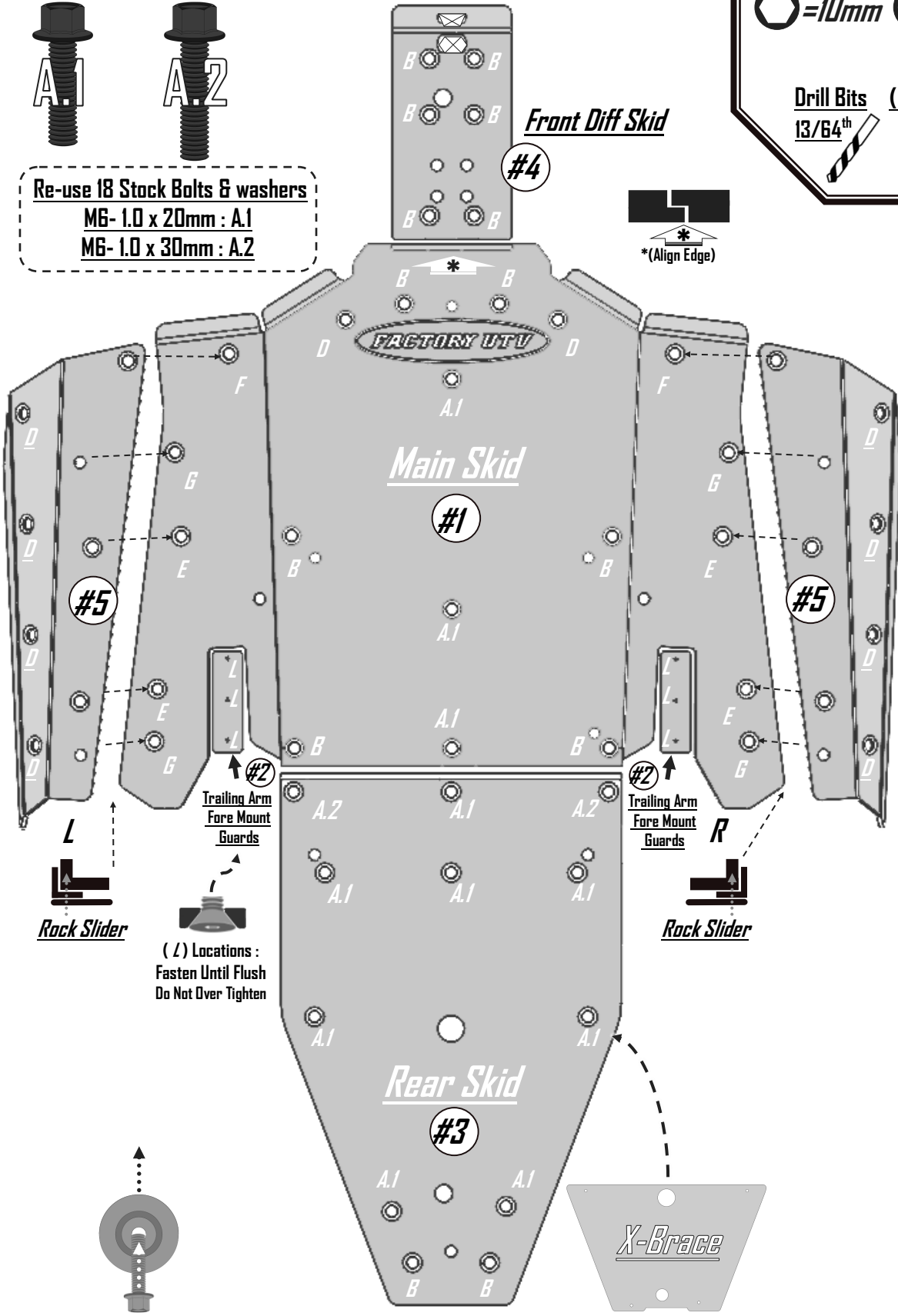
Polaris RZR Turbo R (2022+) Skid Plate and Rock Slider Installation

Installation Requires:

 = 10mm
  = 3/8
 = 5/32
 Drill Bits (1/4"-20) Tap
 13/64th

Re-use 18 Stock Bolts & washers
 M6- 1.0 x 20mm : A.1
 M6- 1.0 x 30mm : A.2









(L) Locations :
 Fasten Until Flush
 Do Not Over Tighten

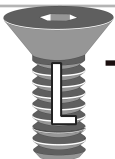
***If Installing X-Brace**
 Mount in between skid and chassis frame,
 X- brace uses same rear skid mounting.

⊗ = Drainage Holes
 Do Not Use For Mounting



#1 Main Skid Large bag:

-  **6x**
1/4"-20 x 3/4" Self Tapping Bolt (#B-D:2)
-  **4x**
1/4"-20 x 1 1/2" Self Tapping Bolt (#B-D:6)
-  **2x**
M6- 1.0 x 25mm Flange Bolt (#B-A:6)
-  **4x**
M6- 1.0 x 45mm Flange Bolt (#B-A:10)
-  **2x**
M6- 1.0 x 50mm Flange Bolt (#B-A:11)
-  **13x**
Counter Sunk Washers (#W-1)


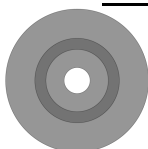
#2 Fore arm guard small bag:

-  **6x**
1/4"-20 x 3/4" Counter sunk Bolt (#B-D:2)



#3 Rear Skid small bag:

-  **2x**
1/4"-20 x 3/4" Self Tapping Bolt (#B-D:2)
-  **2x**
Counter Sunk Washers (#W-1)


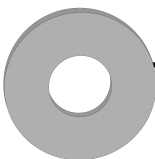

#4 Front Diff Skid small bag:

-  **6x**
1/4"-20 x 3/4" Self Tapping Bolt (#B-D:2)
-  **6x**
Counter Sunk Washers (#W-1)


#5 Rock Sliders small bag:

-  **8x**
M6- 1.0 x 25mm Flange Bolt (#B-A:6)
-  **8x**
Counter Sunk Washers (#W-1)

#C Rock Slider Bracket small bag:


-  **4x**
3/8 x 1" Flange bolt (#B-H:19)
-  **4x**
Large washers 3/8" (#W-4:2)
-  **8x**
Small spacers (#S-S:3)

2x
Rock slider Bracket L & R (#E-B:14 :15)



8x
J-Clip (installed on bracket) (#N-13)

1x
Extension Bracket (#E-B:17)



1x
J-Clip (installed on bracket) (#N-13)



1x
X-Brace (optional) (#X-B:4)

