

Contact Us: *FACTORY UTV LLC*

9237 Beatty Drive Sacramento, CA 95826

Phone : (916) 383-2730

E-mail : info@factoryutv.net

Go online: www.Factoryutv.net



U.H.M.W. Skid Plate and Rock sliders Package

Ultra. High. Molecular. Weight. polyethylene all terrain skid plate / under armor kit for UTV's

Installation Guide

Polaris RZR

Pro R (2022+)



Polaris RZR Pro R (2022+) Instructions

First Remove stock skid and Complete Steps: A, B, C, and D. On bracket installation page 3.

Save all Stock Hardware for future steps,

Install Extension Bracket, Rock Slider Brackets. Remove and cut Quarter Guards. Ensure all are in place before skid plate install.

#1.a

Main Skid Plate :

Install main skid plate using: (2x) Stock Bolts and washers (M6 - 1.0x 20mm) *In Main Skid Center: (A.1) locations, Fasten bolts loosely, holding skid in place and to allow for adjustments during install.*

Install: (3x) M6- 1.0 x 25mm Flange Bolt and Counter Sunk Washer *In Main Skid: (D) location, (through skid, in top center of extension bracket) - Disregard B locations, and G and E, side locations until later steps.*

#2

Fore Mount Guards :

Install Trailing Arm Fore Mount Guards: with (1x) ¼"-20 x ¾" Counter sunk Bolt in center (L) locations, center guard in the middle. Mark, drill and tap remaining (L) locations. Then install with (2x) ¼"-20 x ¾" Counter sunk Bolt in remaining (L) locations on each guard.

*Note Direction.

#3

Rear Skid Plate:

Align edge with main skid plate, Install: (6x) M6- 1.0 x 20mm: stock A.1 bolts *In Rear Skid: (A.1) locations.*

**If installing with X-brace, install in-between skid and chassis frame before bolting in place. Back out bolts and re-install with washers.*

Install: (1x) M6-1.0 x 20mm Flange Bolts *In Rear Skid: (C) location,*

Install: (2x) M6-1.0 x 30mm Flange Bolts *In Rear Skid: (F) locations.*

Install: (2x) M6- 1.0 x 30mm: stock A.2 bolts *In Rear Skid: (A.2) locations.*

Fasten bolts loosely for alignment and adjustments, fasten all bolts securely when aligned.

Mark, drill, tap and install (2x) ¼"-20 x ¾" Self Tapping Bolts for remaining (B) locations.

Skid will curve and bend up towards frame during install, Fasten a little on each side to aid install. Skid plate will form to vehicle over time.

#1.b

Main Skid Plate B :

Mark, drill, tap and install (6x) ¼"-20 x ¾" Self Tapping Bolts for remaining (B) locations. Fasten all bolts securely.

#4

Front Diff. Skid Plate :

Align edge with Main Skid, mark drill and tap (6x) (B) Front Diff. locations.

loosely install (6x) ¼"-20 x ¾" Self Tapping Bolts in (B) locations.

Align and adjust for best fit and fasten all bolts securely.

#5

Rock Sliders :

Install rock sliders in-between main skid and chassis frame, along the sides of the UTV, aligning with brackets and mounting locations.

Install: (8x) M6- 1.0 x 25mm Flange Bolts *on side Rock slider: (D) locations loosely. (in to bracket J-clips, starting from rear to front)*

Install: (6x) M6- 1.0 x 45mm Flange Bolts *In main skid: (E) locations loosely.*

Install: (4x) ¼"-20 x 1½" Self Tapping Bolts *In main skid: (G) locations loosely.*

Adjust for best fit and fasten all Skid plate and rock slider bolts securely.

* Drilling Instructions : *

Use a : #Nº7 (13/64th) drill bit,

(one size above the commonly available 3/16th bit) use of ¼"- 20 Tap *(Required)

To drill and thread self tapping bolts in to chassis frame.

Finger Thread All Bolts Prior To Fastening Securely With Power Tools.

We strongly recommend the use of a "Thread Locking Compound" when installing any mounting hardware.

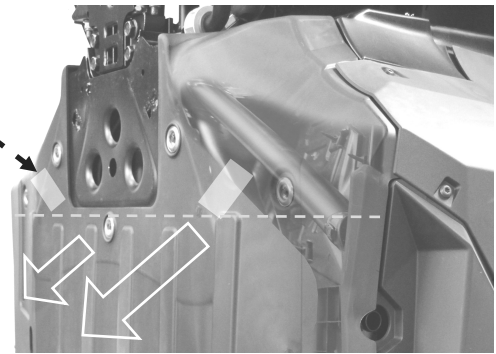
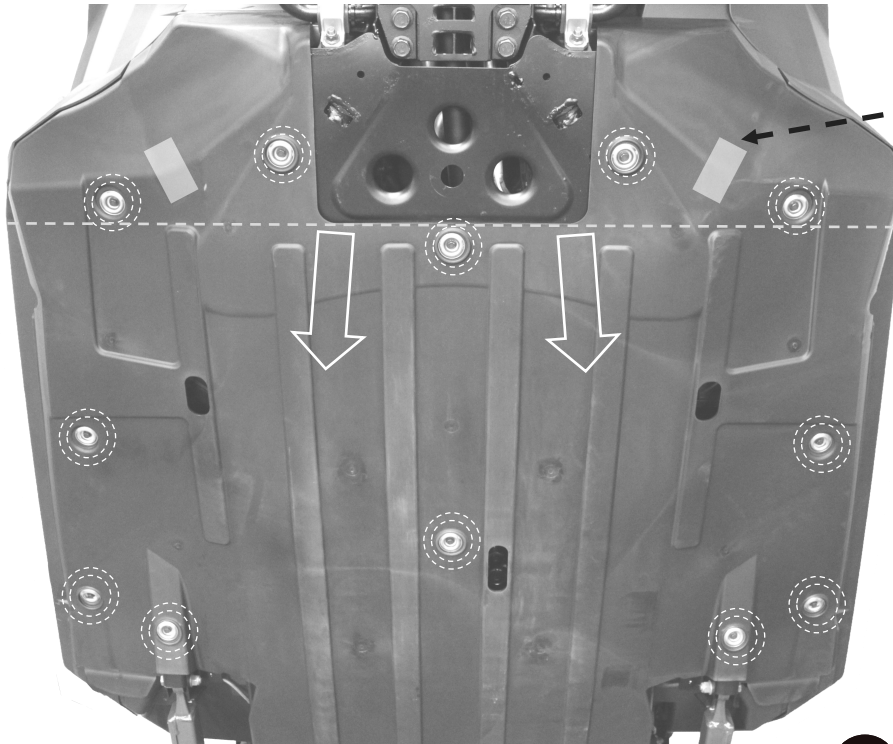
(When installation is complete , ensure all bolts are fastened securely.)




Bracket Installation page

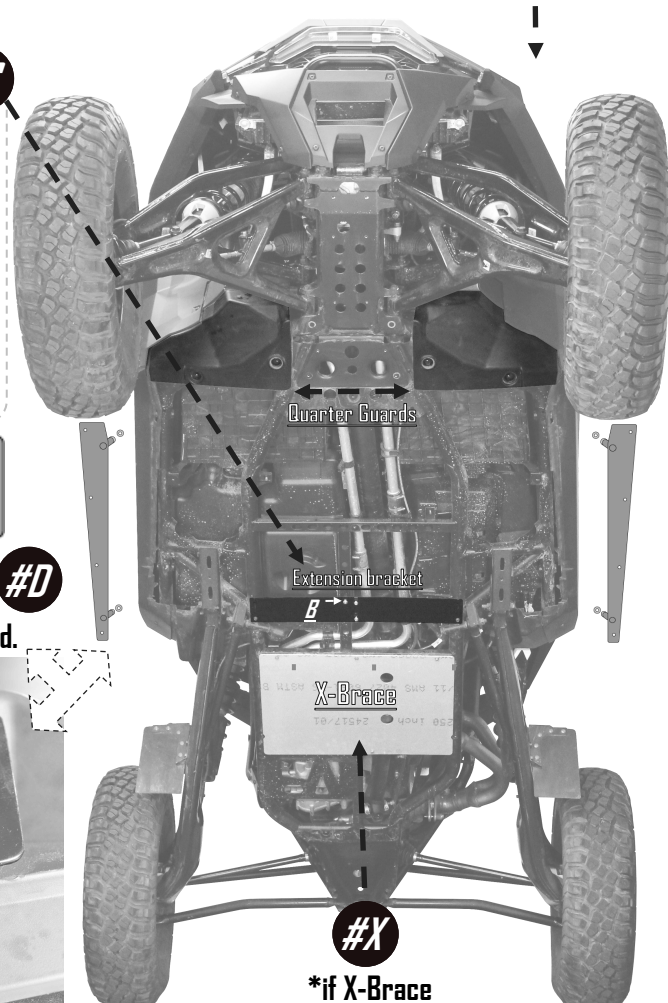
- A.) Remove stock skid plate, save stock hardware for later steps.
- B.) Cut quarter guards at factory edge across stock skid plate.
- C.) Install Extension bracket
- D.) Install Left and Right Rock slider mounting brackets

#A First:  Un-fasten stock bolts, and save hardware for later steps.



#B
Second: Cut stock skid-plate along factory edge, Remove remaining skid plates, save all hardware

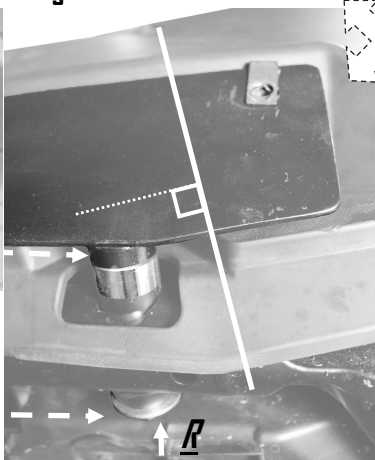
#C
Install Extension bracket with  = T40
 (1x) **M8 1.25 x 20mm Button head Torx Bolt** in **B** location, with j-clip tips pointing upward towards the vehicle. Install bolts loosely, with out washers.
 Install 2x stock (A:1) bolts without washers loosely in each corner,
 Install 2x (D) bolts without washers loosely in J-clips to aid with install.



#D
Install Rock slider Mounting Bracket, through side mounting holes in chassis frame. Ensure larger end mounted forward.



#D
 Use spacers to align bracket until mount is flush with stock plastic
 Using spacers as necessary to ensure even fitment, Install (2x) 3/8" flange bolts and (2x) zinc washers on the inside of the chassis tubing in (R) location's. Fasten bolts securely, (Use of thread locker recommended.)



#X
***if X-Brace**
 Install with (6x) A:1 Stock Bolts in A:1 locations, Install bolts loosely, with out washers to hold in place. (Re-fasten with washers during skid plate installation)

Polaris RZR Pro R (2022+) Skid Plate Installation

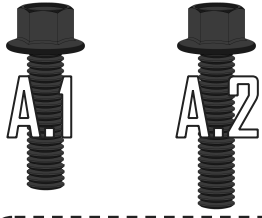
Installation

Requires:

- ★ = T40
- ⬤ = 5/32
- ⊖ = 10mm
- ⊖ = 3/8

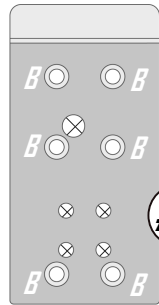
Drill Bits (1/4"-20) Tap

13/64th



Re-use 18 Stock Bolts & washers

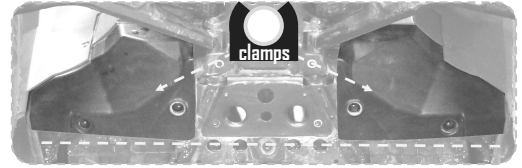
- M6- 1.0 x 20mm : A.1
- M6- 1.0 x 30mm : A.2



Front Diff Skid



*(Align Edge)

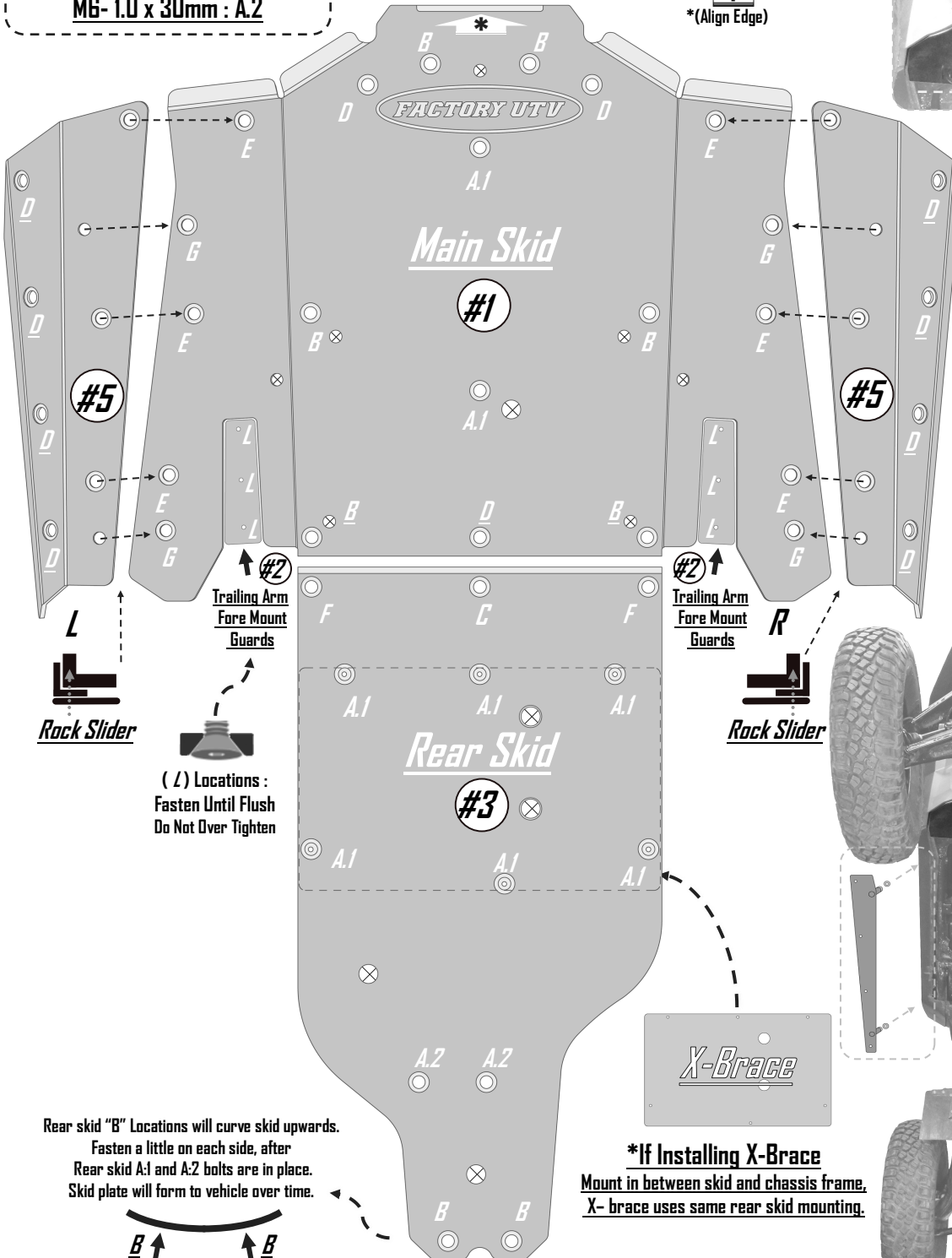


Cut and re-use stock skid plate "front quarter" guards

Use the center opening's "factory edge" to mark across stock skid, below the bottom (2x) bolt cups.

Cut guard as needed.

Re-attach with built in plastic clamps, before skid installation. skid plate utilizes same bolt locations.

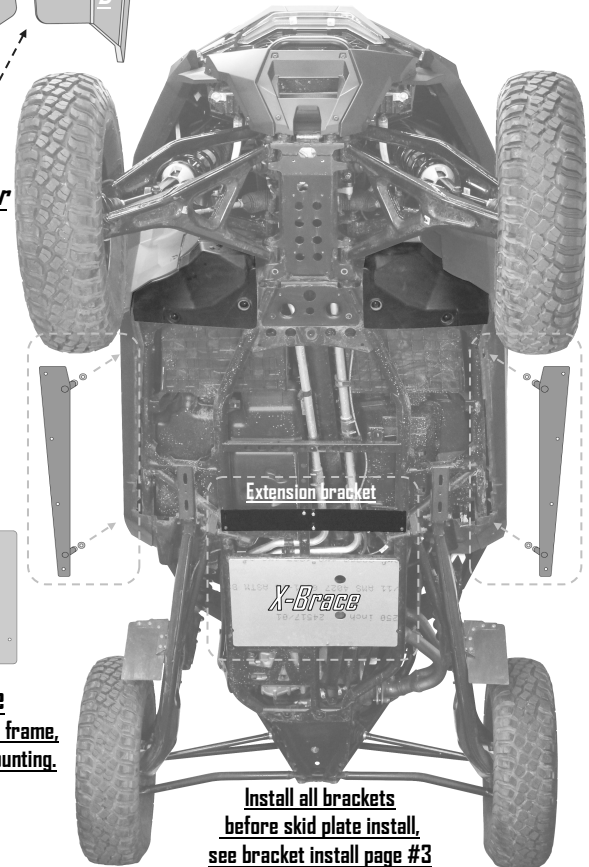


(L) Locations :
Fasten Until Flush
Do Not Over Tighten

Rear skid "B" Locations will curve skid upwards.
Fasten a little on each side, after
Rear skid A.1 and A.2 bolts are in place.
Skid plate will form to vehicle over time.








***If Installing X-Brace**
Mount in between skid and chassis frame.
X- brace uses same rear skid mounting.





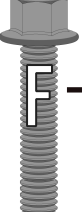

Install all brackets
before skid plate install,
see bracket install page #3

⊗ = Drainage Holes
Do Not Use For Mounting



#1 Main Skid Large bag:

-  **6x**
1/4"-20 x 3/4" Self Tapping Bolt (#B-D:2)
-  **4x**
1/4"-20 x 1 1/2" Self Tapping Bolt (#B-D:6)
-  **1x**
M6- 1.0 x 25mm Flange Bolt (#B-A:6)
-  **6x**
M6- 1.0 x 45mm Flange Bolt (#B-A:10)
-  **13x**
Counter Sunk Washers (#W-1)



#3 Rear Skid small bag:

-  **2x**
1/4"-20 x 3/4" Self Tapping Bolt (#B-D:2)
-  **1x**
M6- 1.0 x 20mm Flange Bolt (#B-A:5)
-  **2x**
M6- 1.0 x 30mm Flange Bolt (#B-A:7)
-  **3x**
Counter Sunk Washers (#W-1)

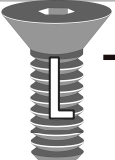
#5 Front Diff Skid small bag:

-  **6x**
1/4"-20 x 3/4" Self Tapping Bolt (#B-D:2)
-  **6x**
Counter Sunk Washers (#W-1)


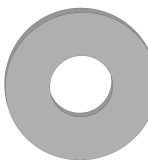

#2 Rock Sliders small bag:

-  **8x**
M6- 1.0 x 25mm Flange Bolt (#B-A:6)
-  **8x**
Counter Sunk Washers (#W-1)



#3 Fore arm guard small bag:

-  **6x**
1/4"-20 x 3/4" Counter sunk Bolt (#B-D:2)

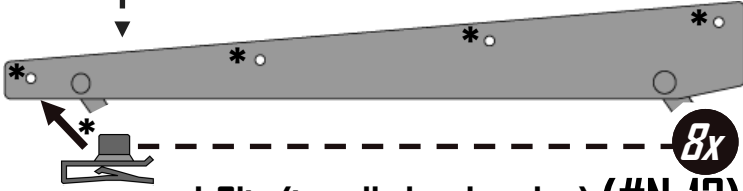
#0 Rock Slider Bracket small bag:

-  **4x**
3/8 x 1" Flange bolt (#B-H:19)
-  **4x**
Large washers 3/8" (#W-4:2)
-  **8x**
Small spacers (#S-S:3)

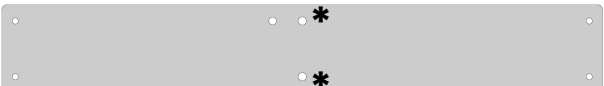
#C Extension Bracket small bag:

-  **1x**
★ = T40
M8 1.25x20mm Button head Torx Bolt (#B-B:6)
-  **2x**
J-Clip (installed on bracket) (#N-13)

2x
Rock slider Bracket L & R (#E-B:14 :15)



8x
J-Clip (installed on bracket) (#N-13)



1x
Pro R Extension Bracket (#E-B:17)