

**Contact Us: *FACTORY UTV LLC***

9237 Beatty Drive Sacramento, CA 95826

Phone : (916) 383-2730

E-mail : [info@factoryutv.net](mailto:info@factoryutv.net)

Go online: [www.Factoryutv.net](http://www.Factoryutv.net)



## **U.H.M.W. Skid Plate / Under Armor Package**

*Ultra. High. Molecular. Weight. polyethylene all terrain skid plate / under armor kit for UTV's*

### **Installation Guide (Ultimate Package)**

# ***Yamaha***

## ***Wolverine RMAX 4 (2020 - 2021+)***



# Yamaha Wolverine RMAX 4 (2020 - 2021+) Instructions

#1

## J-Clip Mounting Locations :

Install J-clips : Slide J-clip in to rectangular openings with threaded tip pointing upwards, towards the vehicle.  
Drill holes slightly larger with a 3/8" Drill bit, Slide j-clip in to the center of the mounting hole and adjust until clip fastens securely.  
Ensure J-clip's are in the right direction as they can be difficult to remove and re install.

If your holes in the A locations don't quite align during skid plate installation, check J-clip placement.

Most locations only install in one direction, for the A locations with the dotted rectangle. (Reference diagram to the right, or on page 3.)



#2

## Rear Diff. Skid Plate :



With J-clips installed, Install: (4x) M6- 1.0 x 20mm Flange Bolts in: *Rear Skid: ( A ) Locations.*

Fasten bolts and washers loosely to allow for adjustments with main skid plate.

#3

## Main Skid Plate :

Align edge with rear diff skid plate, use: (16x) M6- 1.0 x 20mm Flange Bolts in: *Main Skid: ( A ) Locations.*

Disregard Main Skid: ( B ) Location until final step.

Fasten bolts and washers loosely to allow for adjustments with front and rear skid plate, adjust skid plates as needed.



#4

## Front Diff. Skid Plate :

Install front diff skid plate with: (2x) M6- 1.0 x 20mm Flange Bolts fastened loosely in: *Front Diff Skid: ( A ) Locations.*

Place *S/* spacer between front diff skid plate and stock plastics with (2x) M6- 1.0 x 30mm Flange Bolts in: *Front Diff Skid: ( C ) Locations.*

Fasten ( A ) and ( C ) bolts loosely, adjust edge to align with Main and Rear Diff skid plate.

Once front, main, rear skid plates are aligned, fasten All ( A ) and ( C ) bolts securely.

Disregard Front Diff Skid: ( C ), ( E ) and ( B ) Locations until final step.



#5

## Side Skid Plates :

With J-clips installed, Loosely install : (14x) M6- 1.0 x 20mm Flange Bolts in: *Side Skid: ( A ) Locations.*

With main skid in place, adjust side skid plates to meet up flush with edges of main skid plate, then fasten all ( A ) locations securely.

\*if installing with Rocksliders, see RS steps below before fastening bolts in all locations.

Disregard Side Skid: ( B\* ) Locations until final step.

RS

## \*If Rock Sliders :

If installing with *Rock Sliders*, Install in-between skid plate and chassis frame. Use provided longer hardware in lieu of side bolts,

Install (6x) M6- 1.0 x 35mm Flange Bolts in lieu of (6x) M6- 1.0 x 20mm Flange Bolts in: *Side Skid: ( A\* ) Locations.*

Install (6x) 1/4"-20 x 1 1/4" Self Taping Bolts in lieu of (6x) 1/4"-20 x 3/4" Self Taping Bolts in: *Side Skid: ( B\* ) Locations.*

RS

#6

## Final Step :

\*(See Drilling Instructions Below)\* With all skid plates aligned and adjusted in place as needed,

Mark, drill and install: (10x) 1/4"-20 x 3/4" Self Taping Bolts in: *Main, Front Diff and Side Skid: ( B ) Locations.*

For side ( B\* ) locations in nerf bars, ensure to drill in to center of tubing. \*(Use of a 1/4"-20 Tap may assist in threading these locations. )

Mark, drill and install: (2x) 1/4"-20 x 1" Self Taping Bolts in: *Front Diff Skid: ( E ) Locations.*

Once all skid plates are mounted in place, ensure all bolts are fastened securely.



## \* Drilling Instructions : \*

For J-clip "A" locations, use a 3/8" Drill bit to widen pre existing holes If needed.

For " B " locations use : #Nø7 ( 13/64<sup>th</sup> ) drill bit,

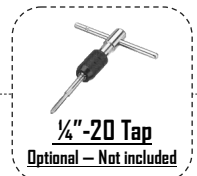
( one size above the commonly available 3/16<sup>th</sup> bit ) Recommended 1/4" - 20 Tap \*( Optional ).

To drill and thread self tapping bolts in to chassis frame.

Finger Thread All Bolts Prior To Fastening Securely With Power Tools.

We strongly recommend the use of a "Thread Locking Compound" when installing any mounting hardware.

( When installation is complete , ensure all bolts are fastened securely. )



13/64<sup>th</sup>  
3/8<sup>th</sup>



# Yamaha Wolverine RMAX 4 (2020 - 2021+)

**First:**  
Install J-clips  
in to rectangle holes,  
with threaded tip pointing  
upwards towards vehicle!

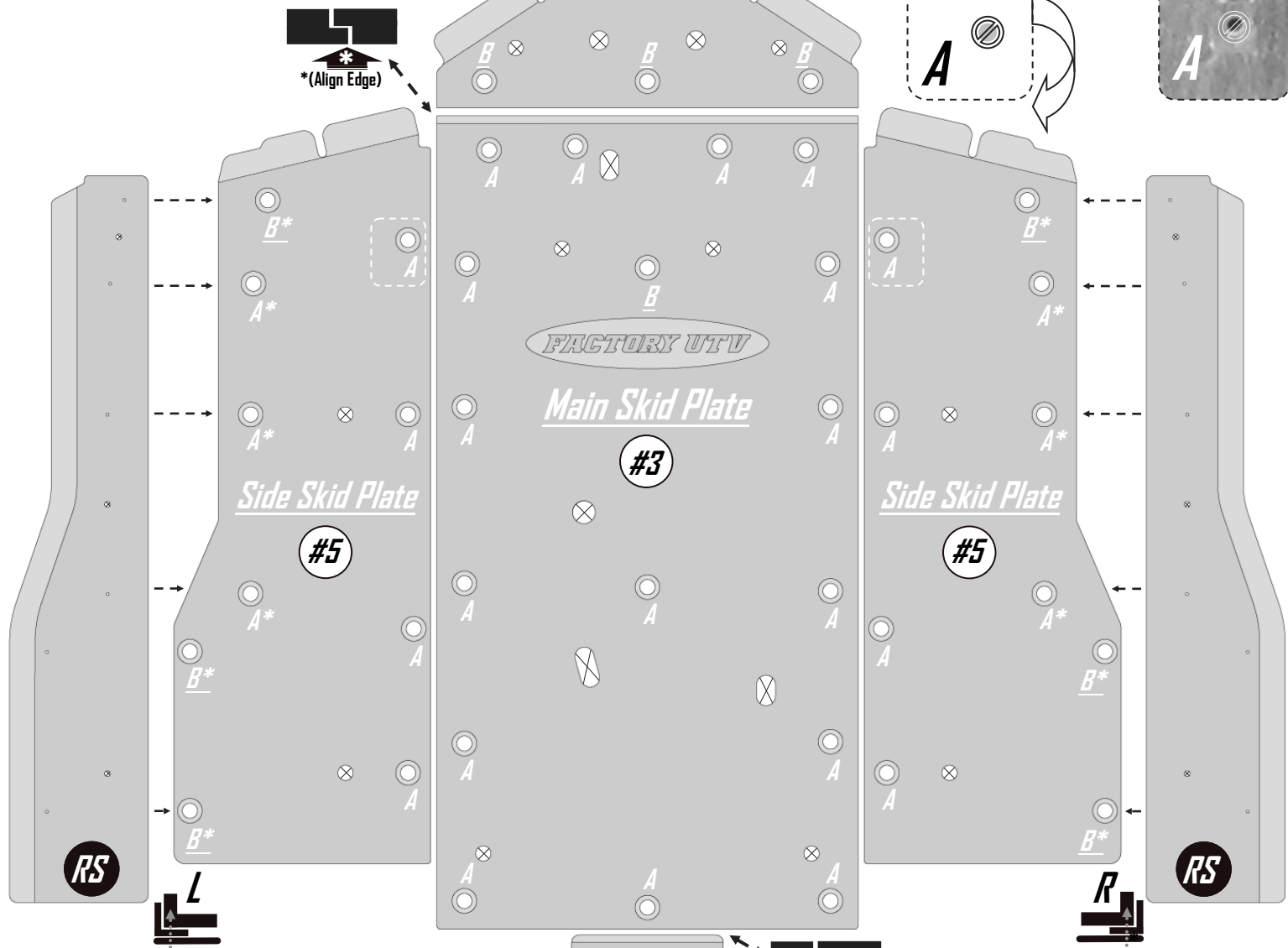
#1

**SI - Spacer**  
Install (SI) Spacer in-between  
Front Diff Skid plate and stock plastic guard.  
Install Diff Skid plate loosely for adjustment,  
Secure bolts once skid is in place.



Ensure J-clips are installed in the correct holes in these locations.  
Incorrect mounting will result in misaligned holes during skid plate install.

A



**\*If installing Rocksliders,**  
Place Rocksliders in-between skid plate and chassis frame,  
use provided longer "RS" hardware. For A\* and B\* locations

#2  
Rear Diff Skid Plate

**Installation Requires:**  
Drill Bits, ( 1/4" - 20 ) Tap and clamps




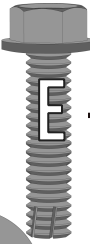

13/64<sup>th</sup>  
3/8<sup>th</sup>

Installation may require the use of  
Clamps or a Car jack to aid with install.

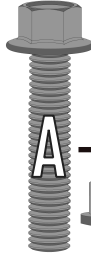
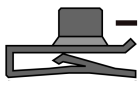



⊗ = Drainage Holes  
Do Not Use For Mounting

# Yamaha Wolverine RMAX 4 (2020-2021+) Skid Plate Hardware



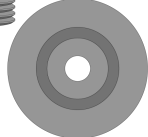
**#4 Front Diff. Small Bag:**

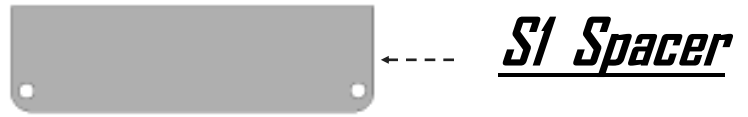
-  **2x**
- M6- 1.0 x 30mm Flange Bolt (#B-A:7)**
-  **2x**
- M6- 1.0 x 20mm Flange Bolt (#B-A:5)**
-  **3x**
-  **2x**
- 1/4"-20 x 3/4" Self Taping Bolt (#B-D:2)**
- 1/4"-20 x 1" Self Taping Bolt (#B-D:3)**
-  **9x**
- Counter Sunk Washers (#W-1)**

**#3 Main Skid Large Bag:**






-  **15x**
-  **J-clip (#N-14)**
-  **15x**
- M6- 1.0 x 20mm Flange Bolt (#B-A:5)**
-  **1x**
- 1/4"-20 x 3/4" Self Taping Bolt (#B-D:2)**
-  **17x**
- Counter Sunk Washers (#W-1)**

**#2 Rear Diff. Small Bag:**

-  **4x**
- J-clip (#N-14)**
-  **4x**
- M6- 1.0 x 20mm Flange Bolt (#B-A:5)**
-  **4x**
- Counter Sunk Washers (#W-1)**

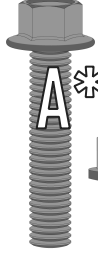



**#5 Side Skids Large Bag:**

-  **14x**
- J-clip (#N-14)**
-  **14x**
-  **14x**
- M6- 1.0 x 20mm Flange Bolt (#B-A:5)**
-  **6x**
- 1/4"-20 x 3/4" Self Taping Bolt (#B-D:2)**
-  **20x**
- Counter Sunk Washers (#W-1)**

***\*Use Rockslider hardware in lieu of: side skid A\* and B\* bolts***

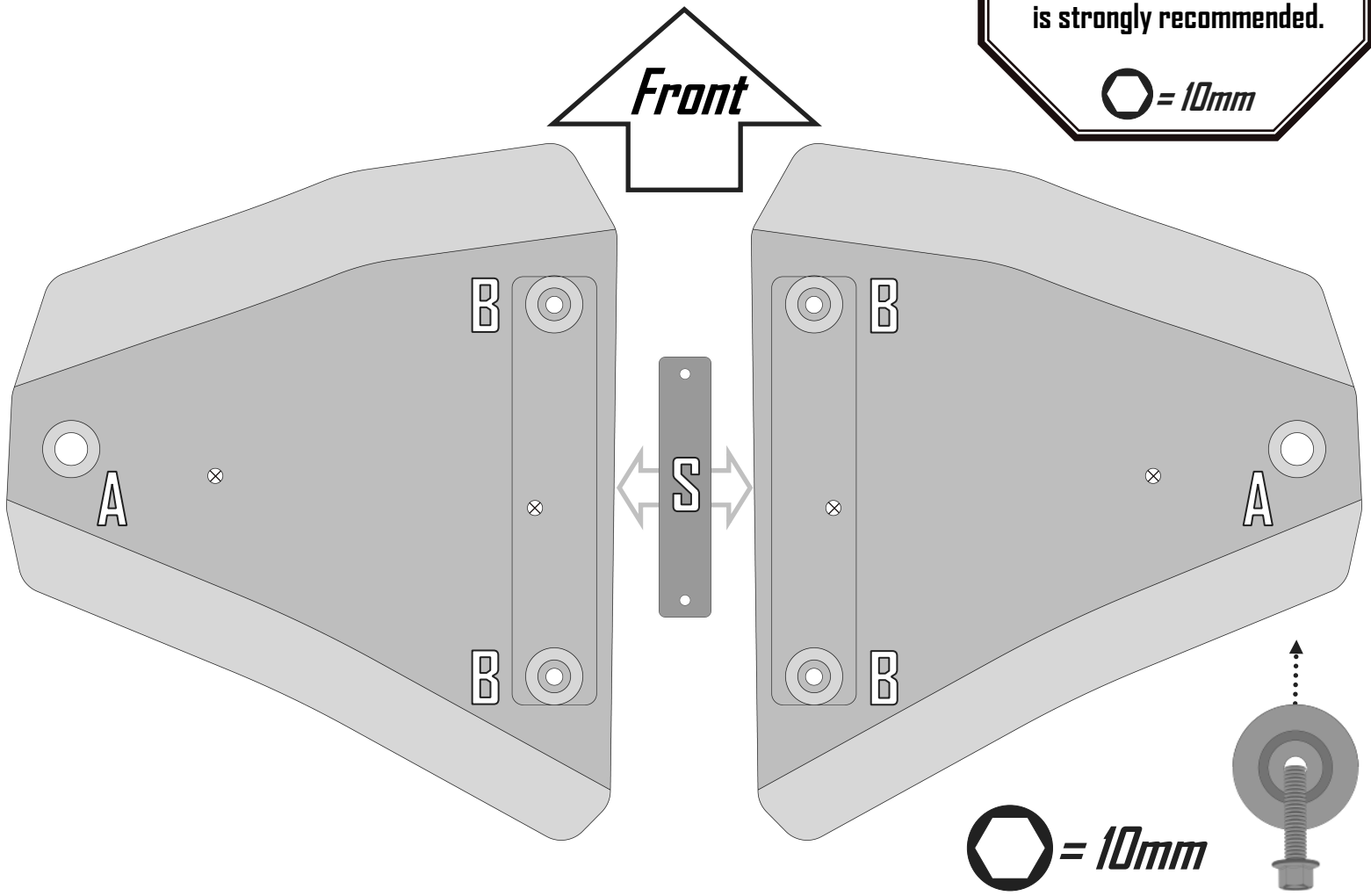
**RS \* If Rock Sliders Bag:**

-  **6x**
- M6- 1.0 x 35 mm Flange Bolt (#B-A:8)**
-  **6x**
- 1/4"-20 x 1 1/4" Self Taping Bolt (#B-D:4)**

# Yamaha Wolverine RMAX 4 (2020 - 2021+)

## UHMW Front A-arm Guard Installation Guide.

**Installation Requires:**  
 10mm socket.  
 Use of Thread locking compound is strongly recommended.

 = 10mm

 = 10mm

### Front A-arm Guard Installation :

#### First:





Hold A-arm guard in place,  
 Install : (2x) M6- 1.0 x 20mm Flange Bolts  
 in (A) locations.

#### Second:

Slide (S) Spacers in-between A-arm and A-arm Guards,  
 Install : (4x) M6- 1.0 x 40mm Flange Bolts in (B) locations  
 to fasten A-arm guards and spacers.

Fasten securely before use.

### #1 Front A-arm Guard Hardware

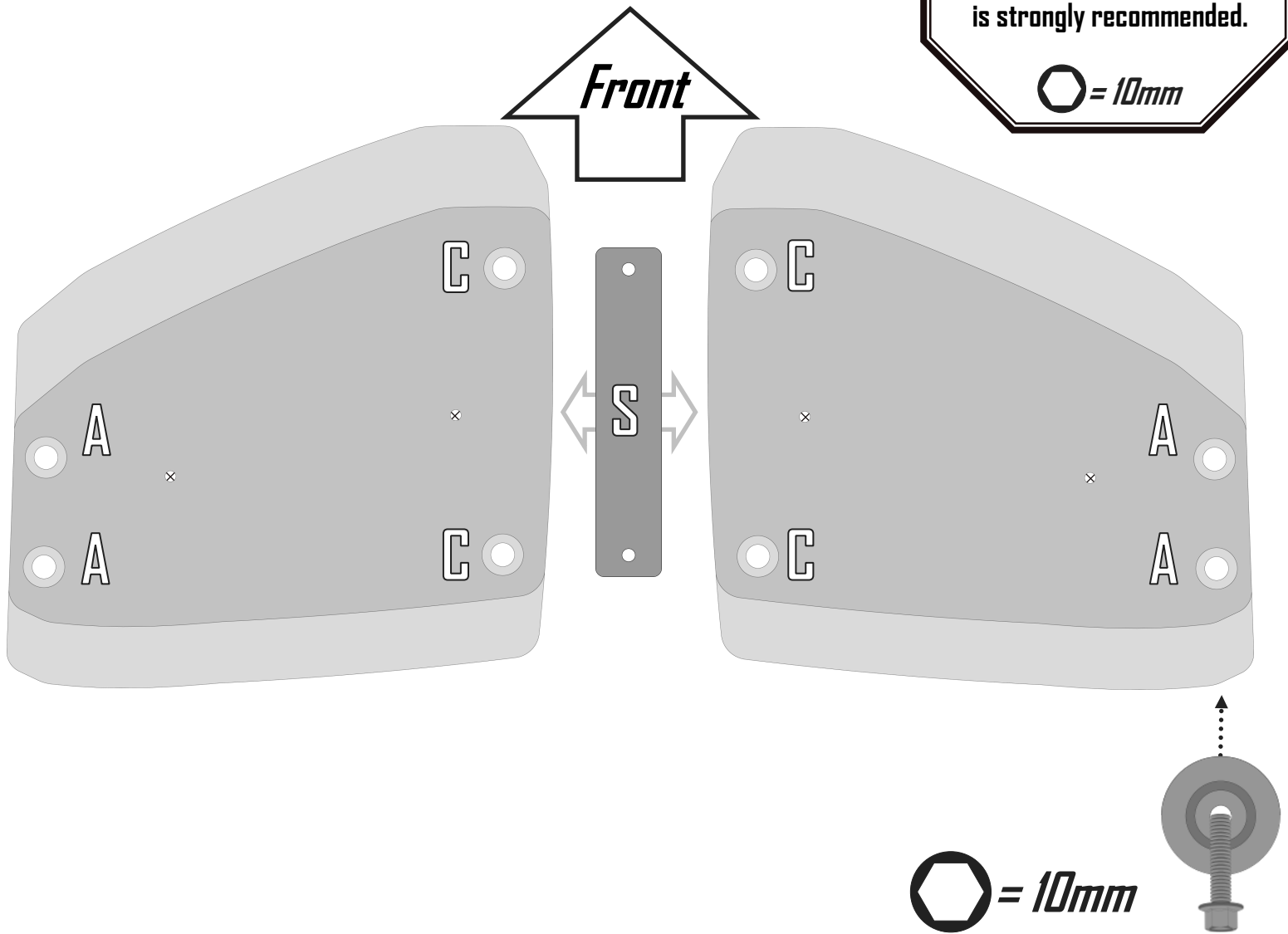
-  **A** ----- **2x**  
M6- 1.0 x 20mm Flange Bolt (#B-A:5)
-  **B** ----- **4x**  
M6- 1.0 x 40mm Flange Bolt (#B-A:9)
-  ----- **6x**  
Counter Sunk Washers (#W-1)
-  **S** ----- **2x**  
1/2" UHMW Spacer (#S-C:16)

⊗ = Drainage Holes  
 Do Not Use For Mounting

# Yamaha Wolverine RMAX 4 (2020 - 2021+)

## UHMW Rear A-arm Guard Installation Guide.

**Installation Requires:**  
 10mm socket.  
 Use of Thread locking compound is strongly recommended.

 = 10mm


### Rear A-arm Guard Installation :

***First:***


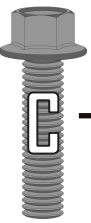


Hold Rear A-arm guard in place,  
 Install : (2x) **M6- 1.0 x 20mm Flange Bolts**  
 Loosely in (A) locations.

***Second:***

Slide (S) Spacers in-between A-arm and A-arm Guards,  
 Install : (4x) **M6- 1.0 x 25mm Flange Bolts**  
 in (C) locations.

Fasten all bolts securely before use, do not over tighten.  
Use of thread locker recommended.

### #2 Rear A-arm Guard Hardware

-  **4x**  
**M6- 1.0 x 20mm Flange Bolt (#B-A:5)**
-  **4x**  
**M6- 1.0 x 25mm Flange Bolt (#B-A:6)**
-  **8x**  
**Counter Sunk Washers (#W-1)**
-  **2x**  
**1/2" UHMW Spacer (#S-C:16)**

⊗ = Drainage Holes  
 Do Not Use For Mounting