

**Contact Us: *FACTORY UTV LLC***

9237 Beatty Drive Sacramento, CA 95826

Phone : (916) 383-2730

E-mail : [info@factoryutv.net](mailto:info@factoryutv.net)

Go online: [www.Factoryutv.net](http://www.Factoryutv.net)



## **U.H.M.W. Skid Plate / Under Armor Package**

*Ultra. High. Molecular. Weight. polyethylene all terrain skid plate / under armor kit for UTV's*

### **Installation Guide** ( Ultimate Package Instructions)

## ***Polaris RZR XP 900*** ( 2011 - 2013 )

*Also fits: RZR 900 ( 2014 )*



# Polaris RZR XP 900 (2011 - 2013) Instructions

**Remove stock skid plate and re-use stock hardware as needed in all ( A ) locations.**

*Skid's will form to vehicle during installation.*

**#1**

## Spacers :

Install: (2x) Trapezoidal Spacers with (4x) M6-1.0 x 35mm Flange Bolts in Main Skid : ( D ) locations.  
*(with out washers)*

Install: (2x) UHMW Round Spacers with (2x) M6-1.0 x 35mm Flange Bolts in Main Skid : ( D ) locations.  
*(with out washers)*

**#2**

## Main Skid Plate :

Install using: (9x) Stock Bolts and Washers in Main Skid: ( A ) locations,  
*Once Skid plate is in place, back out each spacer bolt and replace with washer. ( Individually )*  
*Fasten skid bolts loosely to aid in fitment, Defer side ( B ) locations Until Step (#4).*

**#3**

## Front Diff. Skid Plate :

*\*(See Drilling Instructions Below)\** Align edge with Main Skid. Mark, drill and  
install: (4x) ¼"-20 x ¾" Self Tapping Bolts in Diff. Skid : ( C ) locations.



**#4**

## Side Mounts ( B ):

*\*(See Drilling Instructions Below)\**

Align, mark, drill, and Install: (8x) ¼"-20 x 1" Self Tapping Bolts in Main Skid : ( B \*) locations.



**RS**

## \*If Rock Sliders :

Use: (8x) ¼"-20 x 1 ¼" Self Tapping Bolts, "RS" bolts In main skid : ( B \*) locations.  
*In lieu of side bolts ( ¼"-20 x 1" Self Tapping Bolts) Place Rockslider in-between skid and chassis Frame.*



**( When installation is complete , ensure all bolts are fastened securely.)**



*Use of :  
clamps and/or Floor jack  
may aid in installation.*

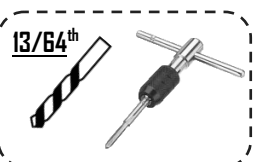
## **\* Drilling Instructions : \***

Use a : **#No7 ( 13/64<sup>th</sup> )** drill bit,

(one size above the commonly available 3/16<sup>th</sup> bit) Recommended ¼"- 20 Tap \*( Optional )

To drill and thread self tapping bolts in to chassis frame.

**Finger Thread All Bolts Prior To Fastening Securely With Power Tools.**



( ¼"-20 ) Tap  
Recommended for  
drilled locations

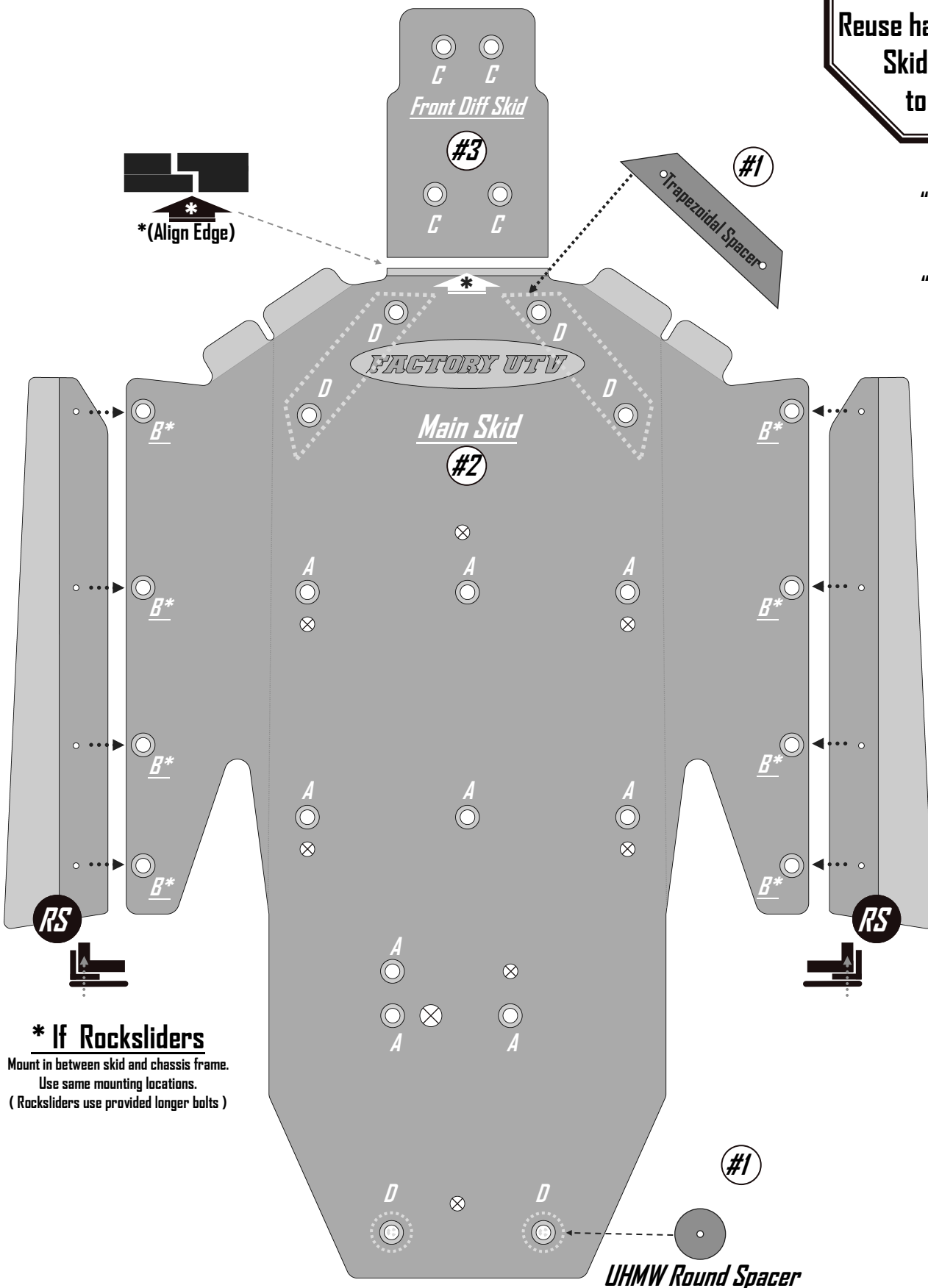
We strongly recommend the use of a "Thread Locking Compound" when installing any mounting hardware.

**( When installation is complete , ensure all bolts are fastened securely.)**

# Polaris RZR XP 900 (2011 - 2013) Installation guide

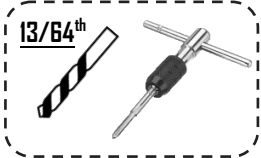
Also fits: RZR 900 (2014)

**Read :**  
 Instructions on pg.#2  
 Remove stock skid plate,  
 Reuse hardware as needed.  
 Skid plate will form  
 to fit over time.



" \_ " Underscore locations  
 require drilling.

" \* " Star locations can use  
 RS bolts



( 1/4" - 20 ) Tap  
 Recommended for  
 drilled locations



Use of:  
 clamps and/or Floor jack  
 may aid in installation.

### \* If Rocksliders

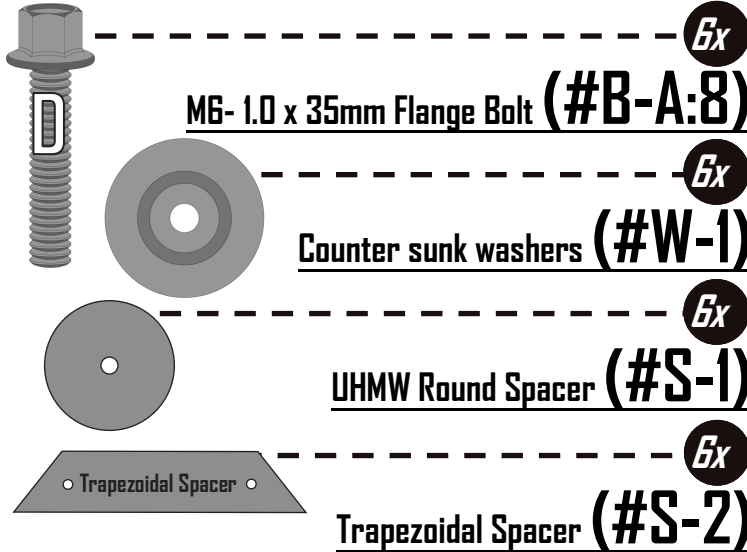
Mount in between skid and chassis frame.  
 Use same mounting locations.  
 ( Rocksliders use provided longer bolts )

⊗ = Drainage Holes  
 Do Not Use For Mounting

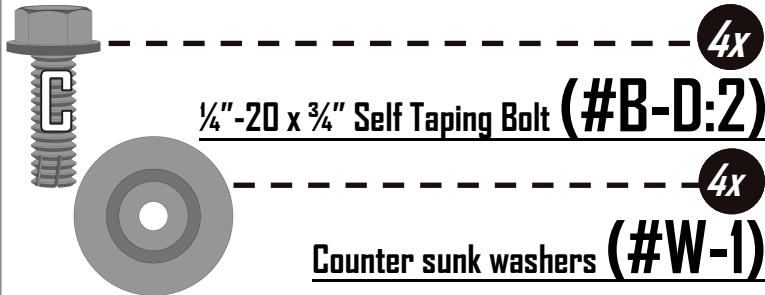
# Polaris RZR XP 900 (2011 - 2013) Hardware

Also fits: RZR 900 (2014)

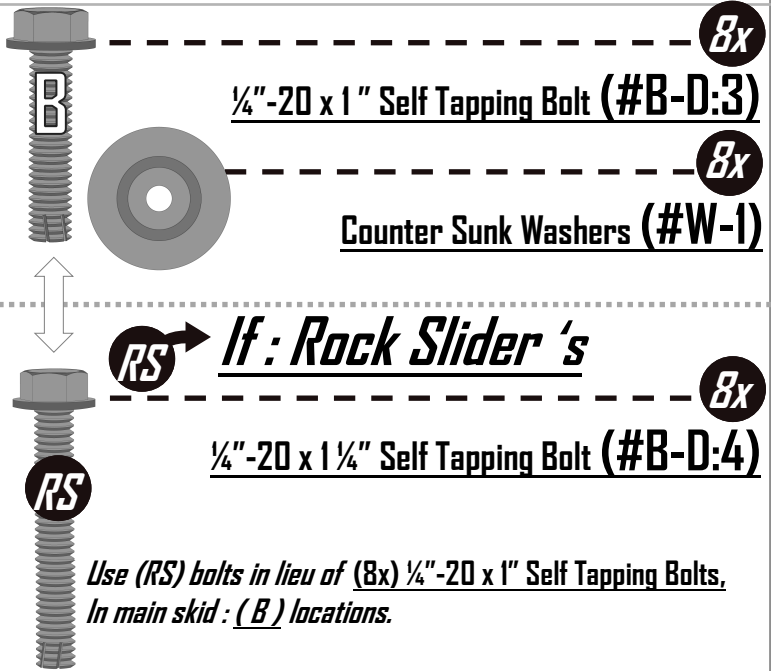
## #1 Main Skid : large bag



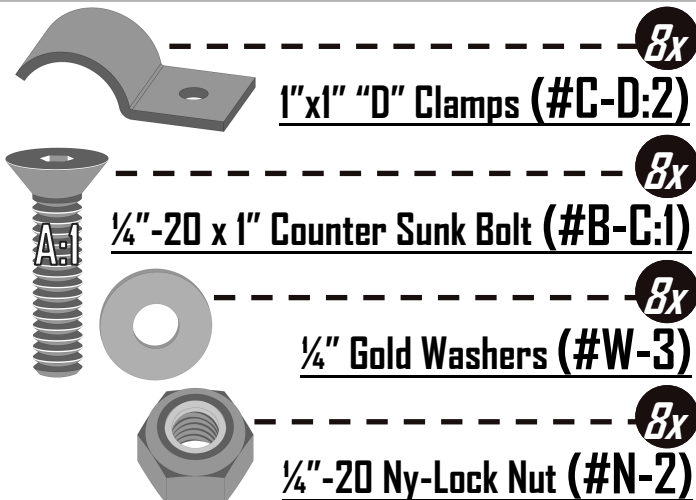
## #2 Front diff : small bag



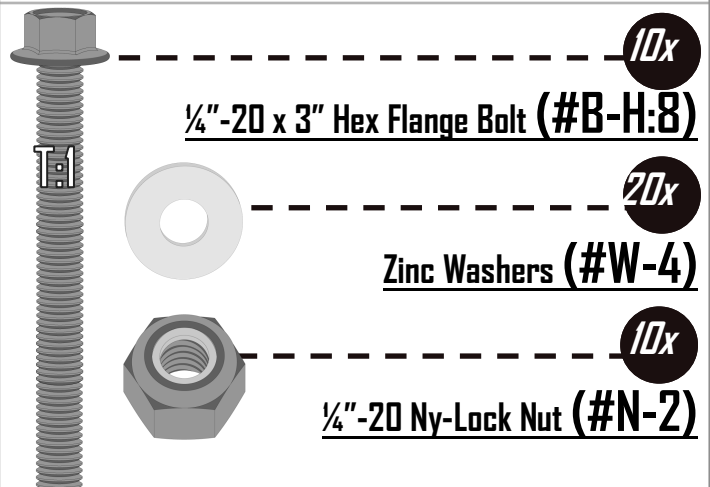
## #3 Side Skid small bag:



## A-Arm Guard Hard-



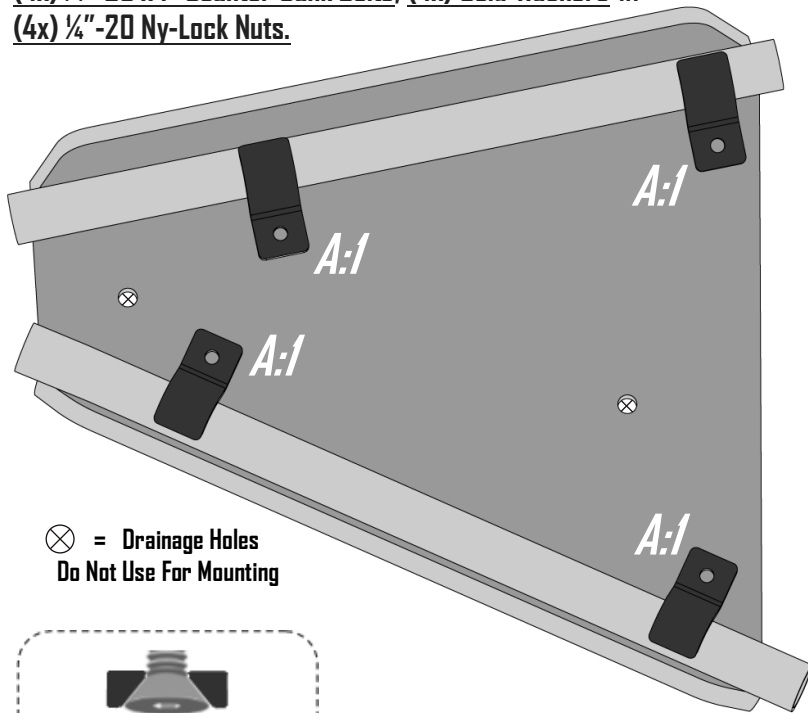
## Trailing arm guard hardware



# Polaris RZR XP 900 (2011 - 2013) A-Arm / Trailing Arm Guard installation

Also fits: RZR 900 (2014)

**Install A-arm guards:** hold in place, Use (4x) "D" clamps  
(4x) 1/4"-20 x 1" Counter Sunk Bolts, (4x) Gold Washers w/  
(4x) 1/4"-20 Ny-Lock Nuts.

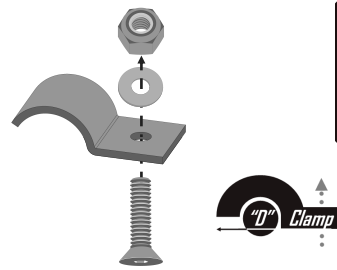


⊗ = Drainage Holes  
Do Not Use For Mounting



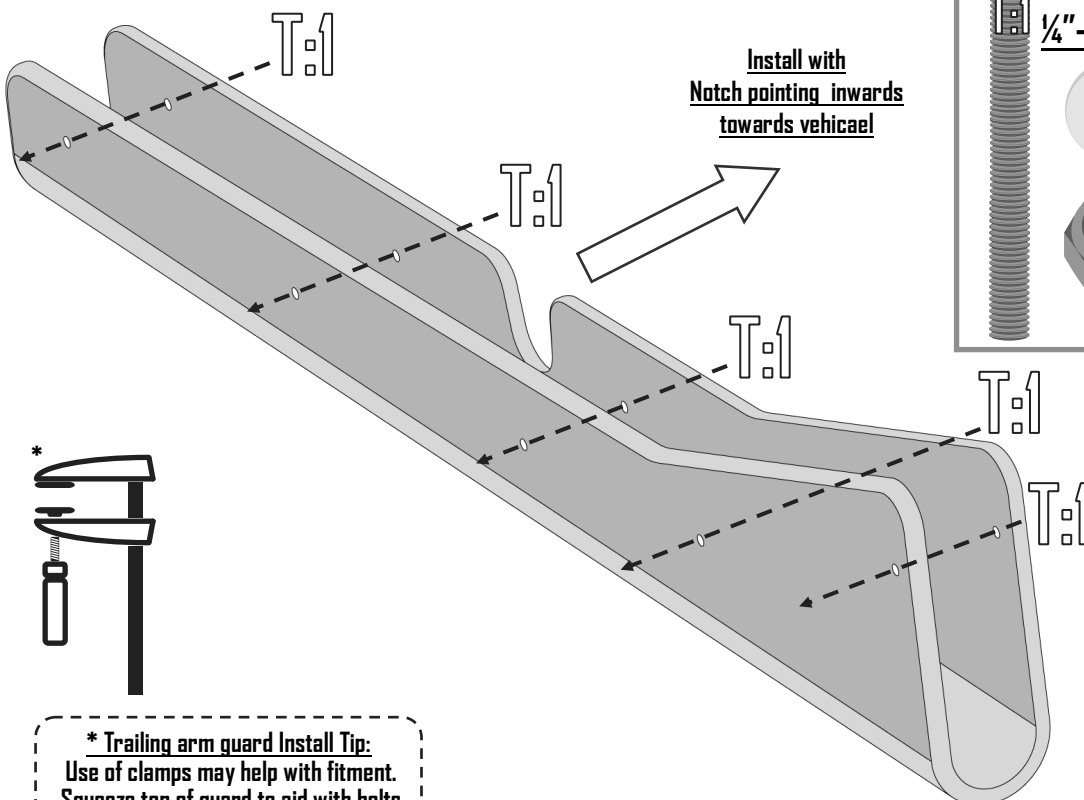
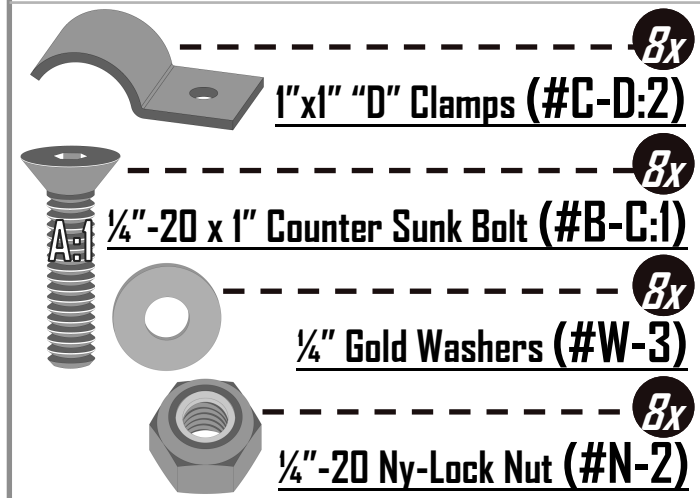
Fasten bolts until flush  
DO NOT over tighten

\*Ensure Clearance For Turn Radius & Vertical Travel  
Before Fastening ALL Bolts Securely



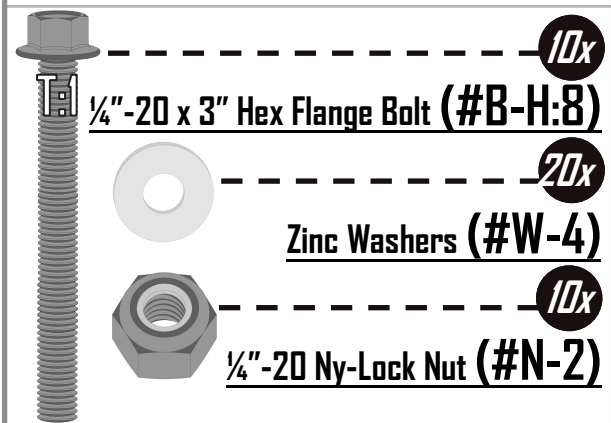
Fasten Loosely to allow for fitment adjustments, secure all bolts when complete.  
**Do Not Over Tighten Bolts Through Guards**

## A-Arm Guard Hard-



Install with  
Notch pointing inwards  
towards vehicle

## Trailing arm guard hardware



**Install Trailing arm guards**  
with notch pointing inward,  
Using: (5x) 1/4"-20 x 3" Hex Flange Bolts,  
With (10x) Zinc Washers (on each side),  
And (5x) 1/4"-20 Ny-Lock Nuts.

May need to use clamps and or car jack to aid with install

\* Trailing arm guard Install Tip:  
Use of clamps may help with fitment.  
Squeeze top of guard to aid with bolts