

Contact Us: *FACTORY UTV LLC*

9237 Beatty Drive Sacramento, CA 95826

Phone : (916) 383-2730

E-mail : info@factoryutv.net

Go online: www.Factoryutv.net



U.H.M.W. Skid Plate / Under Armor Package

Ultra. High. Molecular. Weight. polyethylene all terrain skid plate / under armor kit for UTV's

Installation Guide (Ultimate Package)

Polaris RZR 900 – 1000 S (2014 - 2021+)

Skid Plate Fit: 900, 900 S, 900 Trail, 900 XC, 1000 S



Polaris RZR 900 - 1000 S Instructions

Remove stock skid plate and re-use stock hardware as needed in all (A) locations.

Skid's will form to vehicle during installation.

#1

Main Skid Plate :

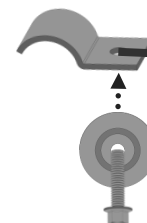
Install using : (10x) Stock Bolts *in Main Skid: (A) locations,*
Install: (4x) M6-1.0 x 25mm Flange Bolts with "D" Clamps *in Main Skid: (D) locations.*
Fasten bolts loosely to aid in fitment, Defer side (B) locations Until Step (#4).



#2

Rear Skid Plate :

Align edge with main skid plate
Install: (2x) M6-1.0 x 30mm Flange Bolts *Rear skid: (F) locations.*
(See Drilling Instructions Below) mark and drill for *Rear skid: (B) locations.*
Install: (3x) 1/4"-20 x 1" Self Tapping Bolts *in Rear skid: (B) locations.*



#3

Diff. Skid Plate :

(See Drilling Instructions Below) Align edge with Main Skid. Mark, drill and
install: (4x) 1/4"-20 x 3/4" Self Tapping Bolts *in Diff. Skid : (C) locations.*



#4

Side Mounts (B):

(See Drilling Instructions Below)
Align, mark, drill, and Install: (8x) 1/4"-20 x 1" Self Tapping Bolts *in Main Skid : (B) locations.*



RS

If Rock Sliders :

Use: (8x) 1/4"-20 x 1 1/4" Self Tapping Bolts, "RS" bolts *In main skid : (B) locations.*
In lieu of side bolts (1/4"-20 x 1" Self Tapping Bolts) Place Rockslider in-between skid and chassis Frame.



* Drilling Instructions : *

Use a : #N^o7 (13/64th) drill bit,
(one size above the commonly available 3/16th bit) Recommended 1/4" - 20 Tap *(Optional)

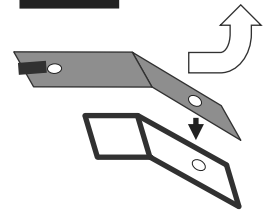
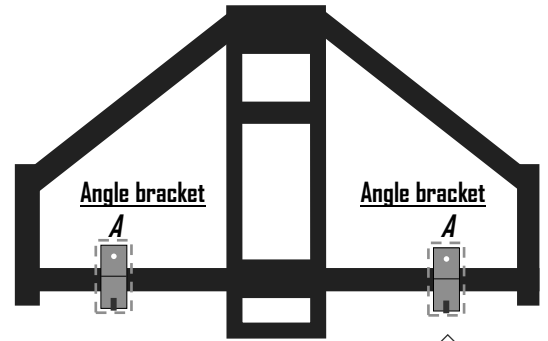
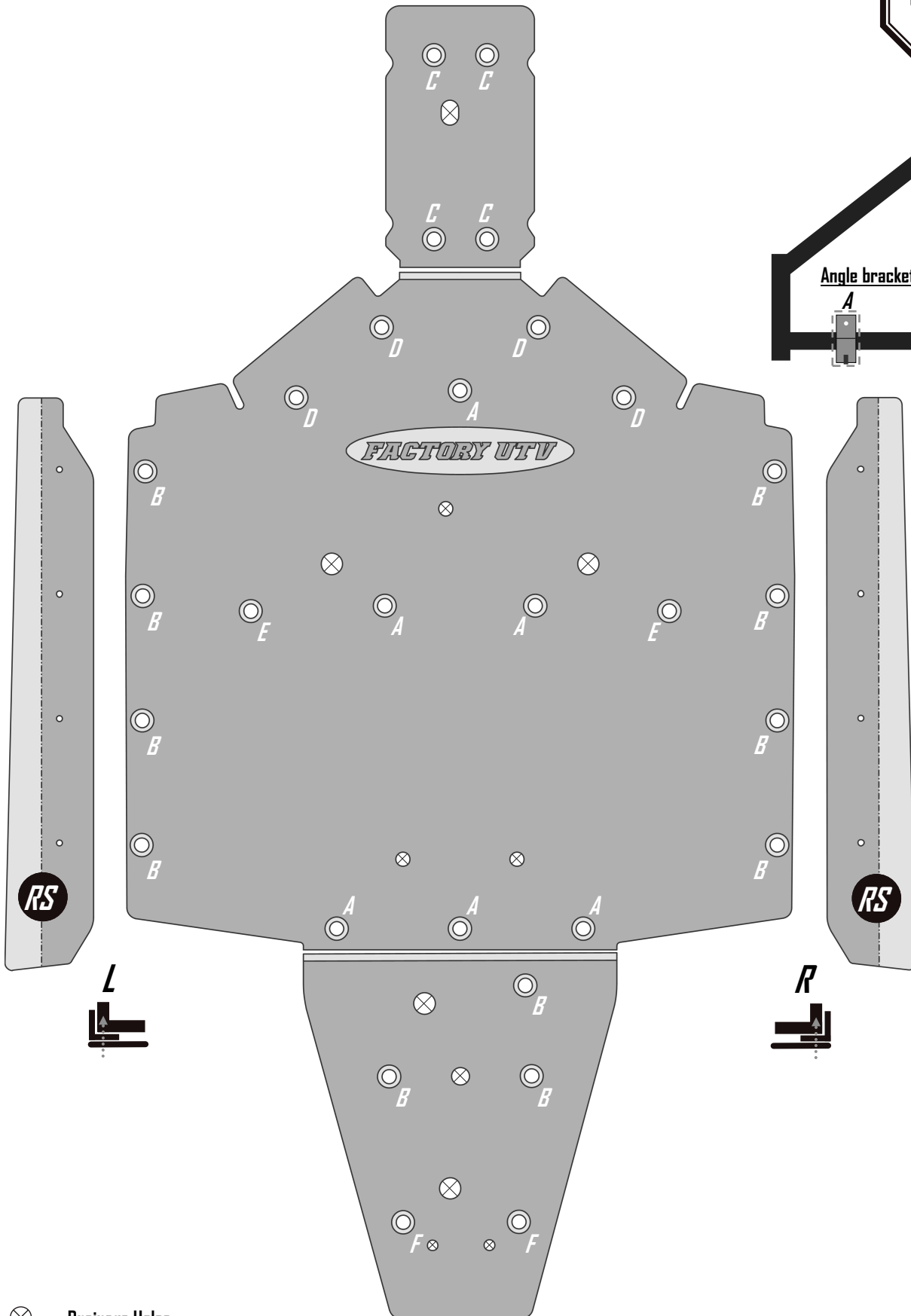
To drill and thread self tapping bolts in to chassis frame.

Finger Thread All Bolts Prior To Fastening Securely With Power Tools.

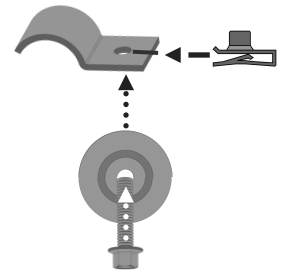
We strongly recommend the use of a "Thread Locking Compound" when installing any mounting hardware.
(When installation is complete , ensure all bolts are fastened securely.)

Polaris RZR 900 & RZR 1000 S

Read :
 Instructions on pg.#2
 Remove stock skid plate,
 Reuse hardware as needed.
 Skid plate will form to fit.
 See drilling instructions
 prior to drilling.



**Thread self tapping
 stock "A" bolts
 in to stock hole location
 for angle bracket mounts**

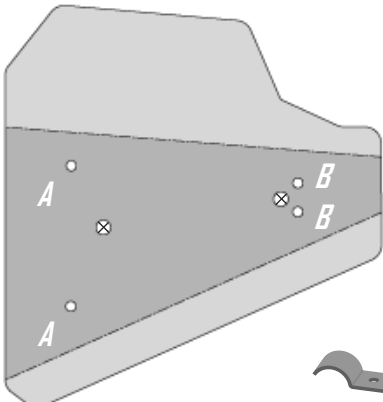
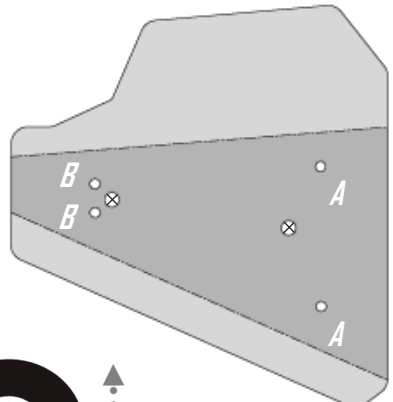


⊗ = Drainage Holes
 Do Not Use For Mounting

Polaris RZR 900 & RZR 1000 S

Fasten Loosely to allow for fitment adjustments, secure all bolts when complete.

Do Not Over Tighten Bolts through guards



RZR 900, 900 "S" 1000 "S"

Front A-Arm Guard:

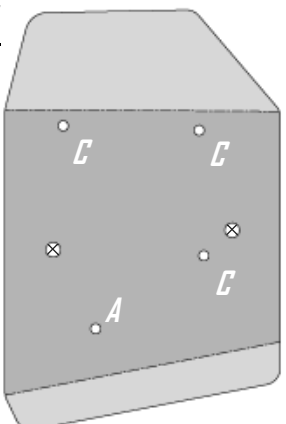
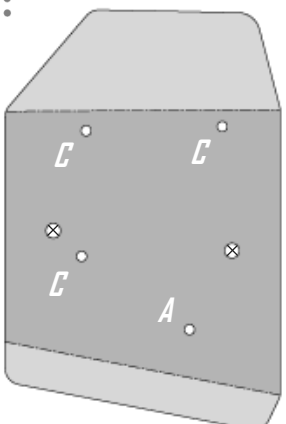
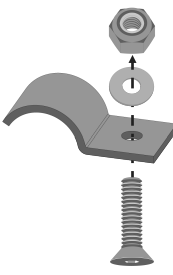
Holding "D" clamps over a-arm tubing, Install (2x) $\frac{1}{4}$ "-20 x 1" Counter Sunk Bolts in (A) locations, & Install (2x) $\frac{1}{4}$ "-20 x 1 $\frac{1}{2}$ " Counter Sunk Bolts in (B) locations, all with washers and Nylock nuts.



900, 900 "S"
1000 "S"

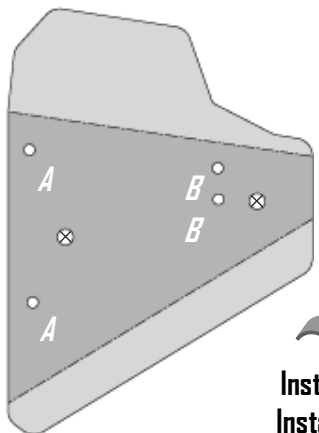
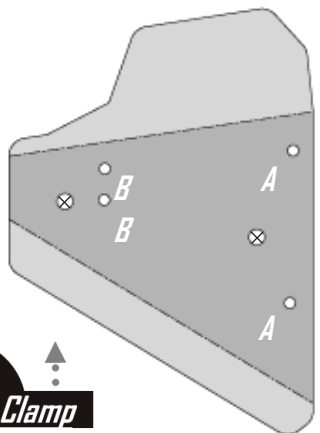
Rear A-Arm Guard:

Install (3x) $\frac{1}{4}$ "-20 x 2 $\frac{1}{2}$ " Counter Sunk Bolts in (C) locations
Install (1x) $\frac{1}{4}$ "-20 x 1" Counter Sunk Bolts in (A) locations w/ (1x) 1 $\frac{1}{2}$ " x 1 $\frac{1}{4}$ " x 1 $\frac{1}{2}$ " Box Clamp, all with washers and Nylock nuts.



Ensure all bolts are fasten securely before use
Do Not Over Tighten Bolts.


Fasten bolts until flush
DO NOT over tighten



RZR 900 Trail 900 XC (60" Models)

Front A-Arm Guard:

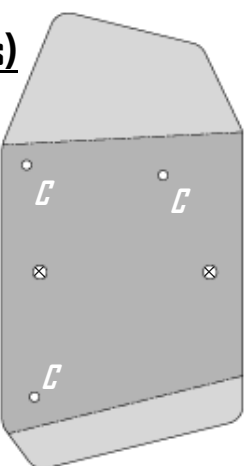
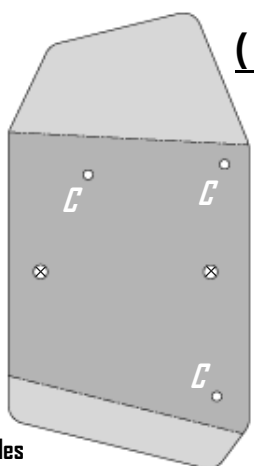
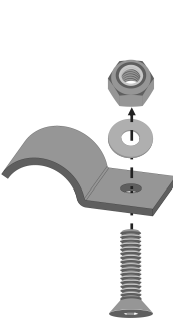
Holding "D" clamps over a-arm tubing, Install (2x) $\frac{1}{4}$ "-20 x 1" Counter Sunk Bolts in (A) locations, & Install (2x) $\frac{1}{4}$ "-20 x 1 $\frac{1}{2}$ " Counter Sunk Bolts in (B) locations, all with washers and Nylock nuts.



900 Trail
900 XC
(60" Models)

Rear A-Arm Guard:

Install (3x) $\frac{1}{4}$ "-20 x 2 $\frac{1}{2}$ " Counter Sunk Bolts in (C) locations all with washers and Nylock nuts.

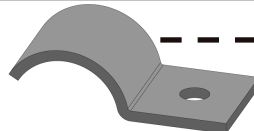
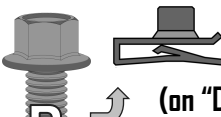
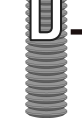
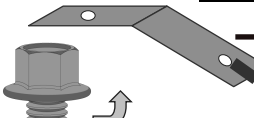




Ensure all bolts are fasten securely before use
Do Not Over Tighten Bolts.

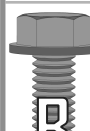


⊗ = Drainage Holes
Do Not Use For Mounting

Polaris RZR 900 & RZR 1000 S *Packing list*

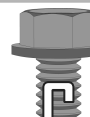

#1 *Main Skid : large bag*

-  1 1/2" x 1 1/4" s "D" Clamps (#C-D:4) **4x**
-  (on "D" clamps and brackets) J-Clip (#N-13) **5x**
-  MG- 1.0 x 25mm Flange Bolt (#B-A:6) **4x**
-  Angle brackets (#C-M:3) **2x**
-  MG- 1.0 x 20mm Flange Bolt (#B-A:5) **2x**
-  Counter sunk washers (#W-1) **4x**

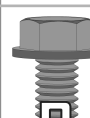


#2 *Rear Skid : small bag*

-  1/4"-20 x 1" Self Taping Bolt (#B-D:3) **3x**
-  MG- 1.0 x 30mm Flange Bolt (#B-A:7) **2x**
-  Counter sunk washers (#W-1) **3x**

#3 *Front diff : small bag*

-  1/4"-20 x 3/4" Self Taping Bolt (#B-D:2) **4x**
-  Counter sunk washers (#W-1) **4x**

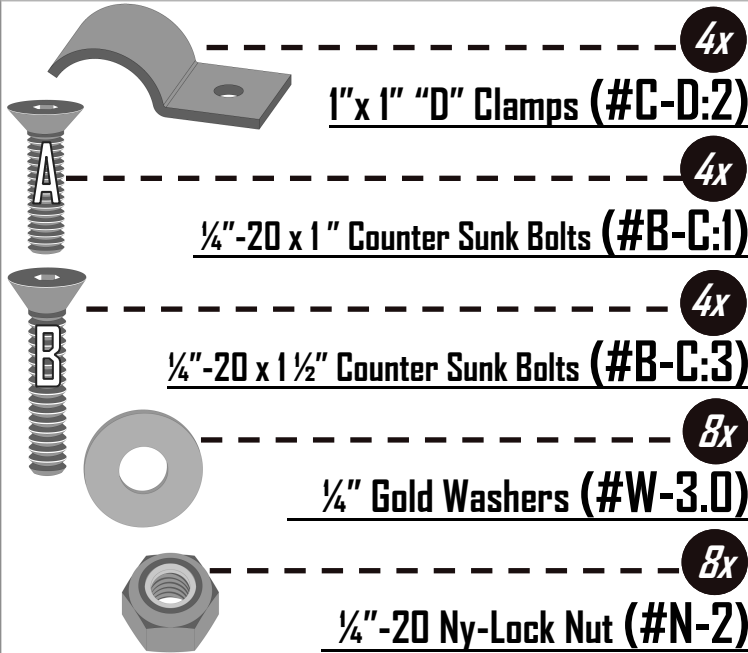
#4 *Side bolts : small bag*

-  1/4"-20 x 1" Self Taping Bolt (#B-D:3) **8x**
-  Counter Sunk Washers (#W-1) **8x**
-  **RS** If : Rock Slider 's replace > 1/4"-20 x 1 1/4" Self Taping Bolt (#B-D:4) **8x**

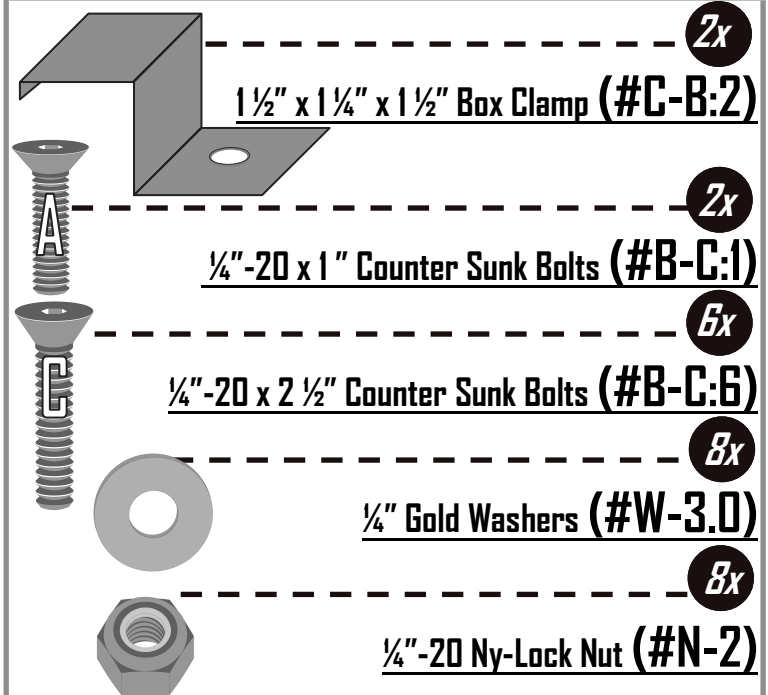
Polaris RZR 900 & RZR 1000 S A-Arms Packing list

RZR 900, 900 "S", 1000 "S" A-Arm Guard Hardware

Front A-Arm: Large bag

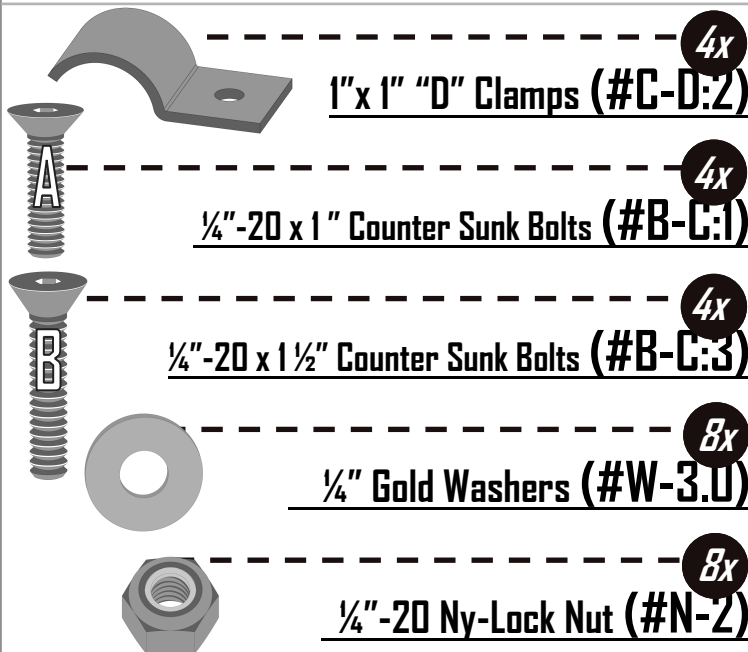


Rear A-Arm: Large bag



RZR 900 Trail, 900 XC (60" wide models) A-Arm Guard Hardware

Front A-Arm: Large bag



Rear A-Arm: Large bag

