

Contact Us: **FACTORY UTV LLC**

9237 Beatty Drive Sacramento, CA 95826

Phone : (916) 383-2730

E-mail : info@factoryutv.net

Go online: www.Factoryutv.net



U.H.M.W. Skid Plate / Under Armor Package

Ultra. High. Molecular. Weight. polyethylene all terrain skid plate / under armor kit for UTV's

Installation Guide (Ultimate Package)

Honda

Talon 1000 4X



Honda Talon 1000 4X (2019+) Instructions

#1

Remove stock skid plate and re-use stock washers as needed

Install: 2x Extension Brackets: Using (3x) M6-1.0 x 20mm Flange Bolts in (-C-) locations on each bracket, with out counter sunk washers
Or/ 1x Extension Bracket with Aluminum X-Brace: Using (3x) M6-1.0 x 20mm Flange Bolts in (-C-) locations,
on each bracket, with out counter sunk washers. Fasten bolts loosely, to be Re-installed with washers during main skid installation.

#2

Main and Mid Skid Plate :

Once Extension Brackets and/or X-brace is installed,

Install: (9x) M6-1.0 x 20mm Flange Bolts and counter sunk washers *in main skid: (C) locations.*

In (-C-) Extension Bracket locations, remove and reinstall bolt with countersunk washer, repeat steps for remaining (-C-) Locations.

Install: (7x) M6-1.0 x 20mm Flange Bolts and counter sunk washers *in mid skid: (C) locations.*

Fasten bolts loosely to allow for adjustment during install, disregard drilled (B) locations until Rear skid plate is installed.*

#3

Rear Skid Plate :

Align edge with main skid plate,

Install: (9x) M6-1.0 x 20mm Flange Bolts in *rear skid: (C) locations.* *Fasten bolts loosely for installation adjustments.*
(If installing with X-brace in place, use (F) bolts in lieu of: (E) bolts and spacers, X-brace does not require spacers.)*

Install: (6x) M6-1.0 x 30mm Flange Bolts with (6x) 1/2" Nylon Spacers in *rear skid: (E+) locations.*

Mark (A) locations , drill (9/32) mounting holes and Install :*

(2x) 1/4"-20 x 3/4" Flange Bolts with (2x) 1/4"-20" Flange Nuts in *rear skid: (A*) locations.*

Fasten all Rear skid bolts securely.



#4

For remaining Main & Mid Skid: (B*) locations:

Once rear skid is fastened securely, mark, drill, and install: (6x) 1/4"-20 x 3/4" Self Tapping Bolts in remaining Main & Mid skid: (B*) locations.

#5

Front Diff Skid Plate :

Align edge with main skid plate, hold front diff skid in place using * Clamps. Once positioned, mark and drill
(4x) 13/64th mounting holes in front diff skid (B) locations, Install: (4x) 1/4"-20 x 3/4" Self Tapping Bolts.

Drill (4x) 9/32nd mounting holes in front diff skid (D) locations, Install: (4x) 1/4"-20 x 3/4" Flange Bolts with (4x) 1/4"-20 x 3/4" Flange Nuts.
moving clamps along to help shape and bend up front of skid to frame during installation.



#6

Rock sliders :

Once main skid is installed, before installing Rock sliders:

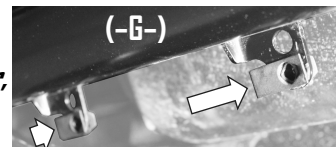
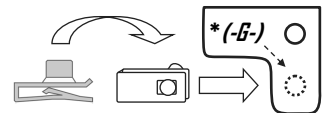
Temporarily remove stock side plastic /or pull aside, drill (4x) 3/8" holes in stock metal bracket in (-G-) rear locations.

Install: (4x) J-clips in rear (-G-) locations on each side, with J-clip tip pointing inward, towards UTV : see (-G-) diagrams.

Install: (14x) M6 1.0 x 25mm Hex Flange Bolt in (H) locations from the bottom.

Then Install: (18x) M6 1.0 x 35mm Button head Bolt in (G) and (-G-) locations,
*Fasten forward bolts first, then fasten remaining bolts, starting from front to rear,
do not over tighten. UHMW will form as fastened, to contour and fit side of UTV.*

When installation is complete, ensure all bolts are fastened securely.



* Drilling Instructions : *

For Self tapping bolt locations: Use a : (13/64th) drill bit,

(one size above the commonly available 3/16th bit) Recommended 1/4"-20 Tap *(Optional) To drill and thread self tapping bolts in to chassis frame.

Drilling required for nut and bolt locations: Use a : (9/32th) drill bit.

Finger Thread All Bolts Prior To Fastening Securely With Power Tools.

We strongly recommend the use of a "Thread Locking Compound" when installing any mounting hardware.

(When installation is complete , ensure all bolts are fastened securely.)

Honda Talon 1000 4X (2019+) Instructions

Drill ($\frac{9}{32}$ nd) mounting holes
For nut and bolt (D) locations.

Nut and bolt install tip:
some nuts may be easier to
access from opposing side.



Main skid B* locations
Drill ($\frac{13}{64}$ th) mounting holes
For Self tapping bolt (B*) locations

***Self tapping bolt Install tip:**
Use of a $\frac{1}{4}$ "-20 Tap is
strongly recommended for
threading thicker steel locations.
To avoid snapping bolts.

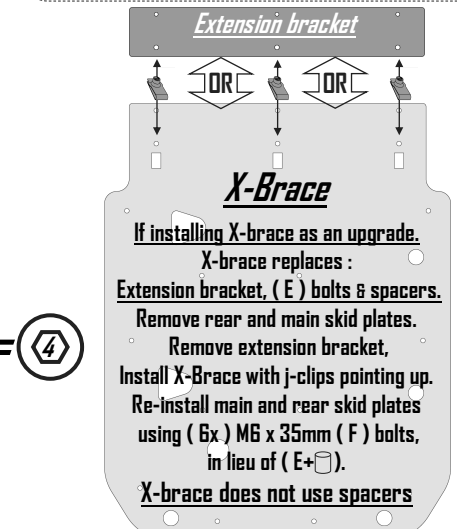
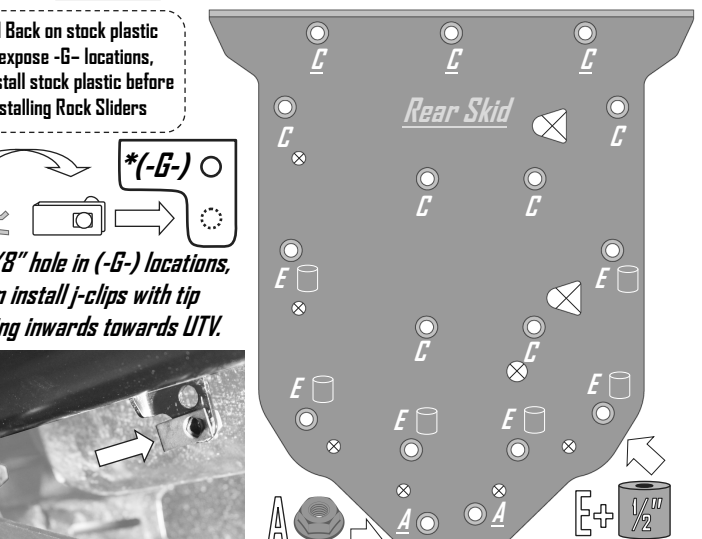
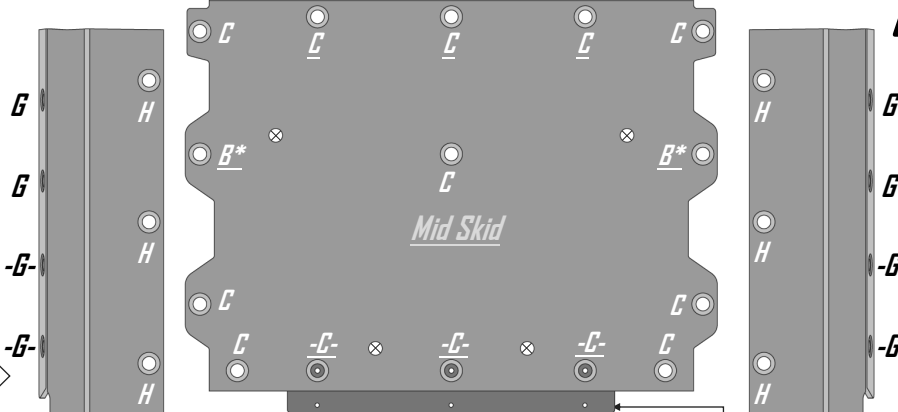
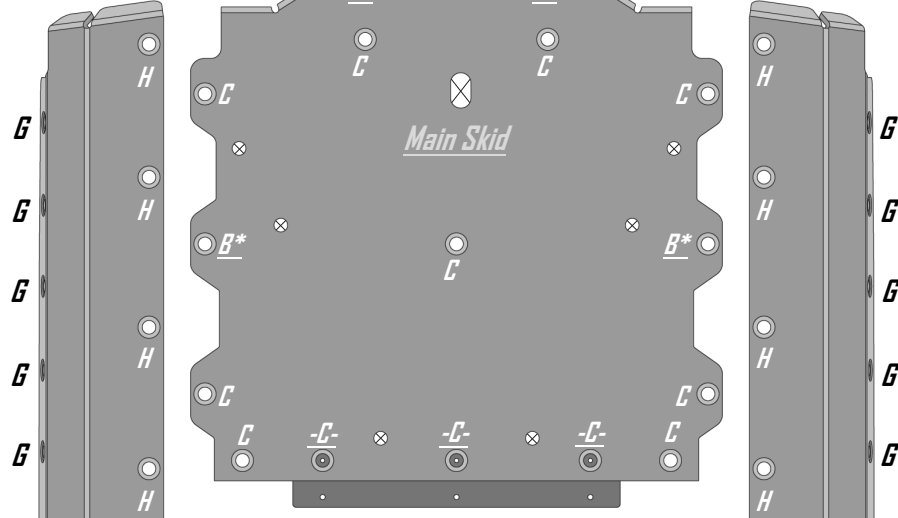
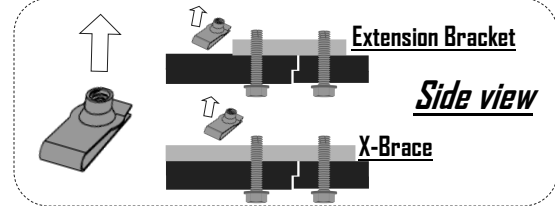


Remove stock skid,
re-use washers as needed.
Install bolts loosely for
installation adjustments,
Fasten when done.
May need use of car jack
and clamps.



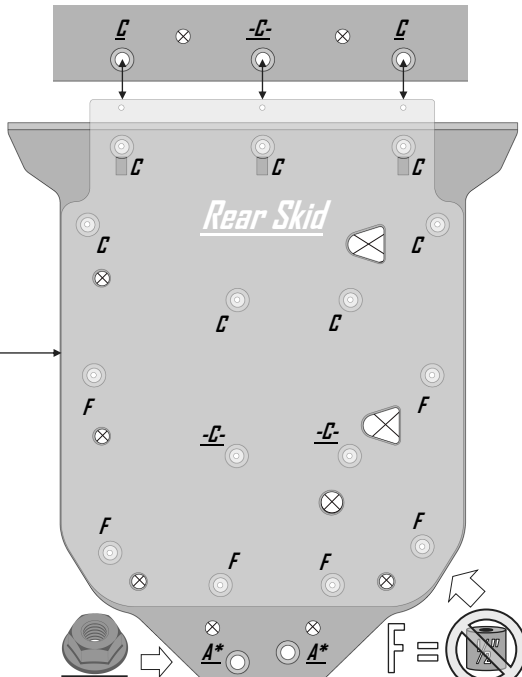
***(Align skid Edge)**

Extension bracket -OR- X-Brace install
Ensure j-clip tips are pointing up, towards vehicle.



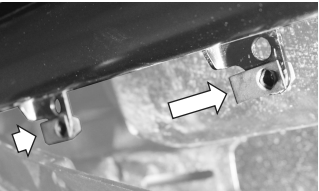
If installing X-brace as an upgrade.
X-brace replaces:
Extension bracket, (E) bolts & spacers.
Remove rear and main skid plates.
Remove extension bracket,
Install X-Brace with j-clips pointing up.
Re-install main and rear skid plates
using (6x) M6 x 35mm (F) bolts,
in lieu of (E+).
X-brace does not use spacers

Installation w/ Aluminum X-Brace
Replaces rear Extension Bracket



Pull Back on stock plastic
to expose -G- locations,
Re install stock plastic before
installing Rock Sliders

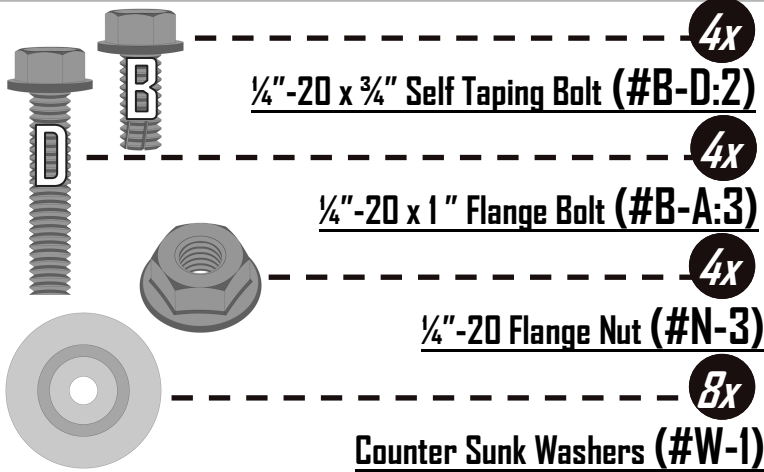
***(-G-)**
Drill $\frac{3}{8}$ " hole in (-G-) locations,
then install j-clips with tip
pointing inwards towards UTV.



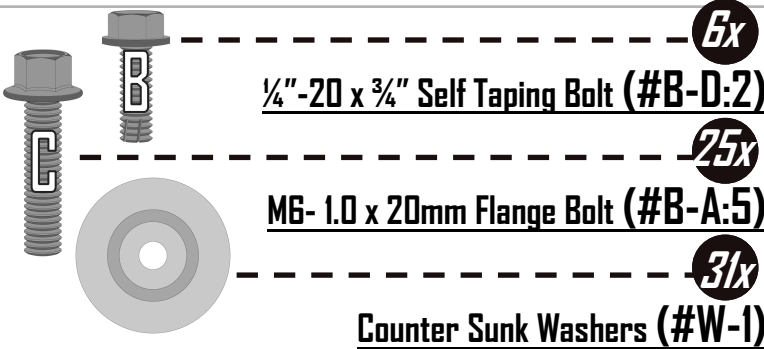
⊗ = Drainage Holes Do Not Use For Mounting

Honda Talon 1000 4X (2019+) Skid Plate Hardware

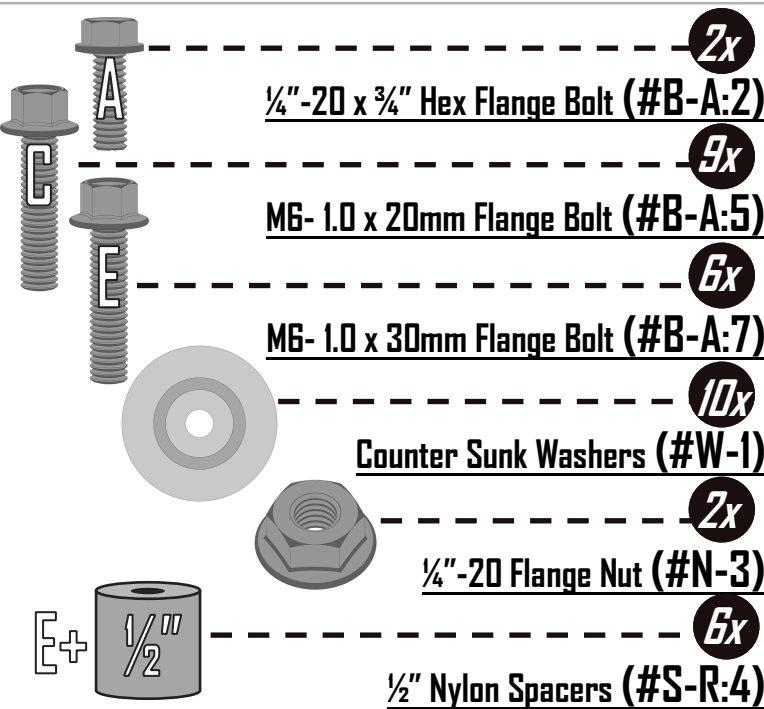
#1 Front Diff Skid small bag:



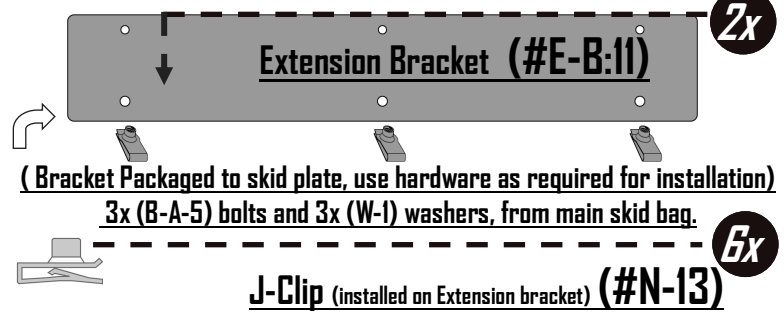
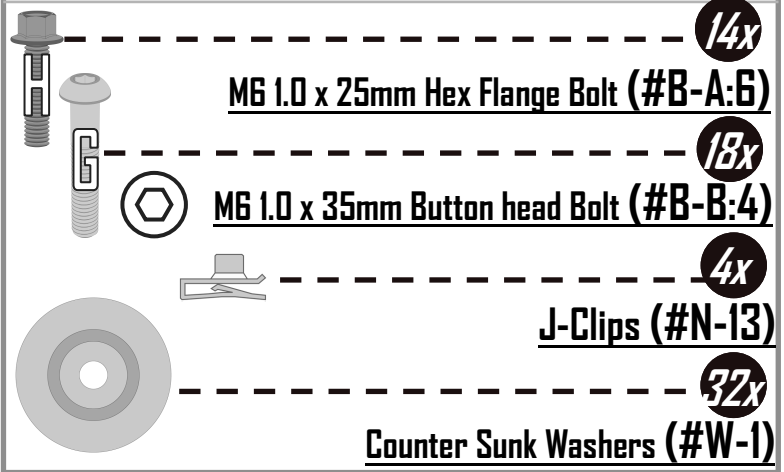
#2 Main & Mid Skid Large bag:



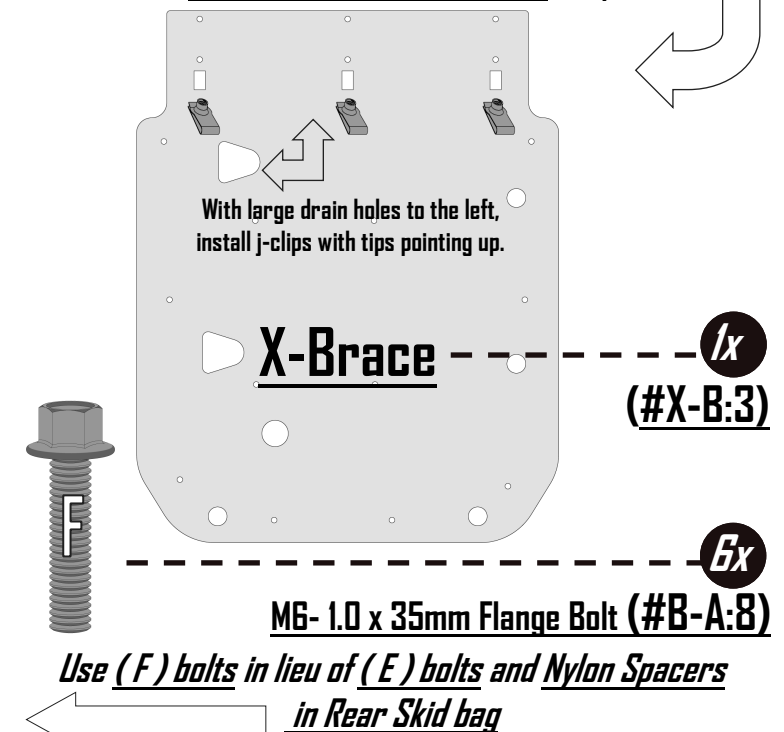
#3 Rear Skid Large bag:



#4 Rock sliders small bag:



***if X-Brace:** use (3x) of J-clips above
X-brace kit Replaces: 1 Extension Bracket, (E) Bolts + Nylon Spacers.
With: (6x) M6- 1.0 x 35mm (F) bolts, No spacers.



Honda Talon 1000 (R) & (X) A-Arm Guard installation

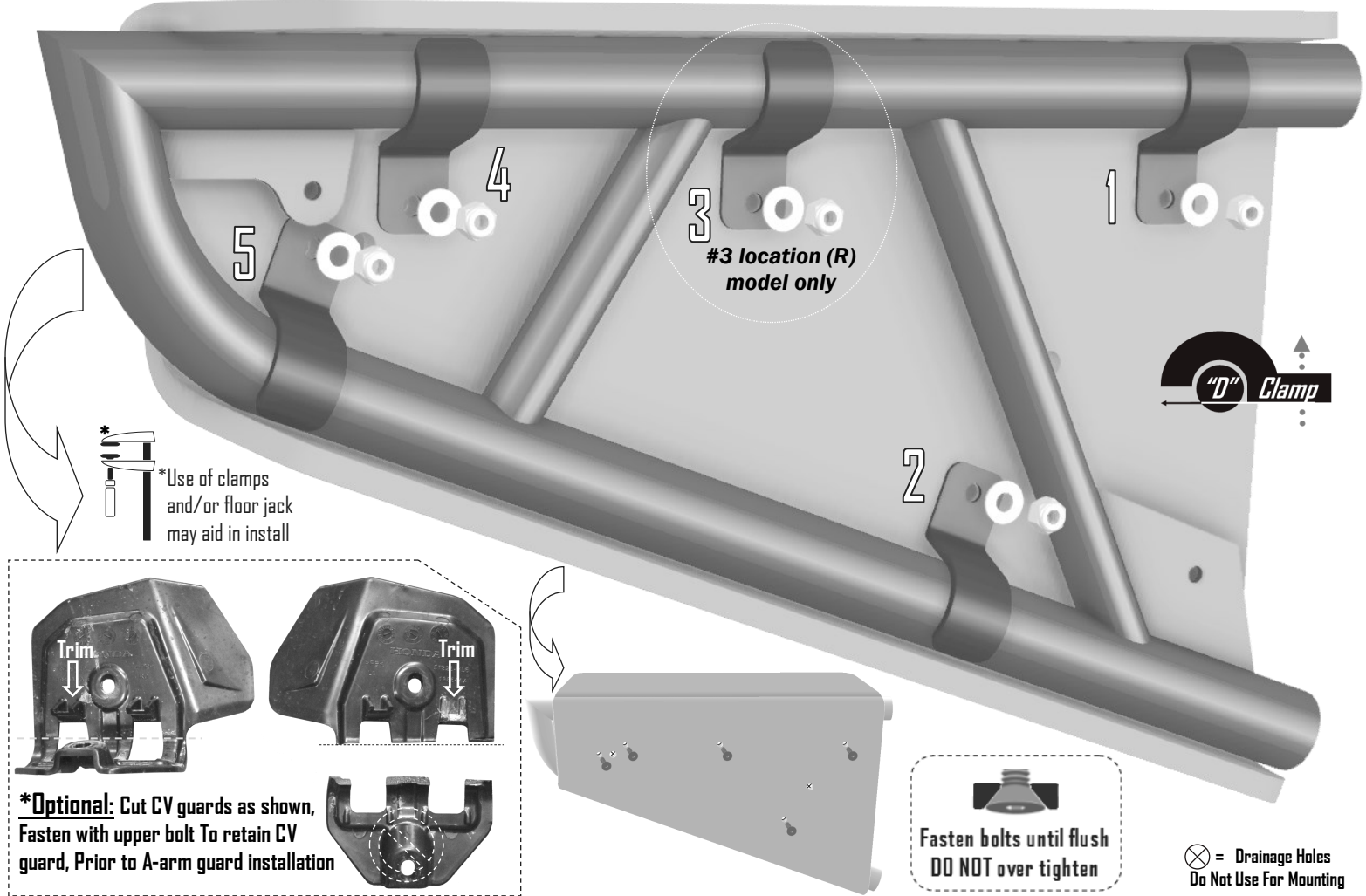
A-Arm Guard Installation

Hold A-arm guard in place, loosely install bolts through guard and "D" clamps. Fasten bolts with washers and Ny-lock nuts, fastening down in an even pattern. Securely fasten to a-arm until flush, do not over tighten bolts deep in to plastic. Installation may require the use of a floor jack and firm upwards pressure for fitment.

**Optional:* to install with stock CV guards, Require modification and/or firmly applied pressure during fastening.

***Ensure Clearance**
For Turn Radius & Vertical Travel
before Fastening securely

Do not over tighten.



(R) A-Arm Guard Hardware:	
	10x 1" x 1 1/4" "D" Clamps (#C-D:3)
	10x 1/4"-20 x 1 1/4" Counter Sunk Bolts (#B-C:2)
	10x 1/4"sm Gold Washers (#W-3.0)
	10x 1/4"-20 Ny-Lock Nut (#N-3)

(X) A-Arm Guard Hardware:	
	8x 1" x 1 1/4" "D" Clamps (#C-D:3)
	8x 1/4"-20 x 1 1/4" Counter Sunk Bolts (#B-C:2)
	8x 1/4"sm Gold Washers (#W-3.0)
	8x 1/4"-20 Ny-Lock Nut (#N-3)

Honda Talon 1000 (R) & (X) Trailing-Arm Guard Installation

Trailing-Arm Guard Installation

Hold Trailing arm guard in place,

Install: 1/4"-20 x 3" Hex Flange Bolts through Trailing arm guard,

Fasten with Zinc Washers and Ny-lock nuts in T:l locations.

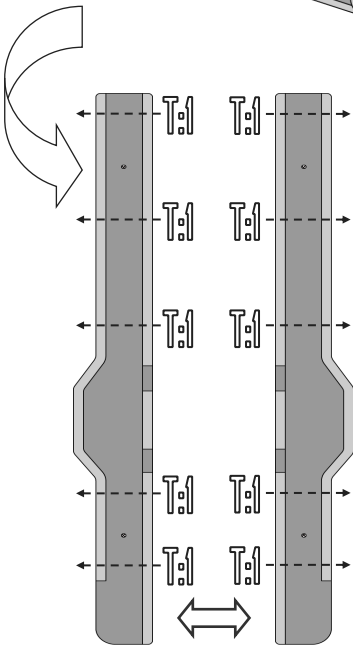
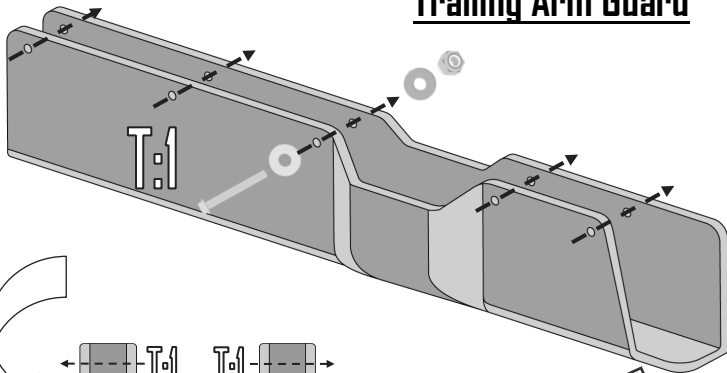
Installation may require the use of a floor jack and firm upwards pressure for fitment.

(Removal of rear wheel may be required)



R

Trailing Arm Guard



Install with notched edge's facing away from vehicle

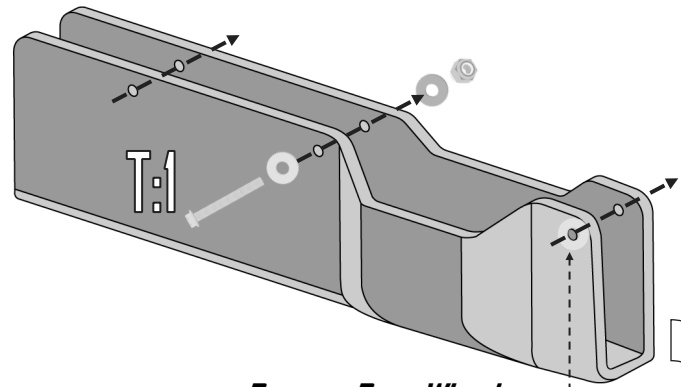
** Trailing arm guard Install Tip:
Use of clamps may help with fitment.
Squeeze top of guard to aid with bolts*



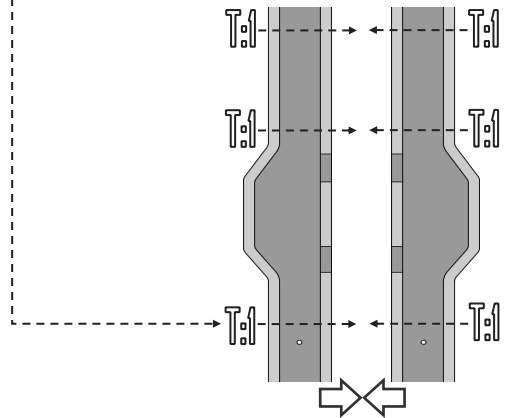
⊗ = Drainage Holes
Do Not Use For Mounting

X

Trailing Arm Guard



*Remove Rear Wheel
for last bolt locations*



(R) Trailing arm guard Hardware:

- 10x 1/4"-20 x 3" Hex Flange Bolt (#B-H:8)
- 20x Zinc Washers (#W-4.0)
- 10x 1/4"-20 Ny-Lock Nut (#N-3)

(X) Trailing arm guard Hardware:

- 6x 1/4"-20 x 3" Hex Flange Bolt (#B-H:8)
- 12x Zinc Washers (#W-4.0)
- 6x 1/4"-20 Ny-Lock Nut (#N-3)