

Premium Hose Reels



Pneutech[®]
Efficiency Under Pressure

*Effective Design
Quick & Easy Installation
Workplace Efficiency*



Features & Benefits

Premium Hose Reels

Effective Design

- Designed to prevent leakage

Quick & Easy Installation

- Designed in a simple structure that enables the user to install and use easily

Workplace Efficiency

- Enables workers to operate at maximum efficiency
- Increases workplace organization and effectiveness

Adjustable Bumper Stop

The adjustable bumper stop feature on PneuTech hose reels allows you to adjust the length of hose that suspends from the reel when installed.

Kink Resistant Hose

Twisted lines and stopped air flow? PneuTech kink resistant air hose provides a consistent air flow to your equipment and is specialty made to avoid air restrictions.

Adjustable Guide Arm

The adjustable guide arm allows for 8 possible mounting configurations, resulting in ultimate flexibility.

Robust Mounting Bracket

Allows for sturdy fixation to walls and ceilings for unlimited mounting capabilities

Ratcheting Lock Design

The ratcheting lock design is manufactured from 100% plated steel components which protects itself from premature wear and failure. This robust design ensures a long lasting user friendly experience.

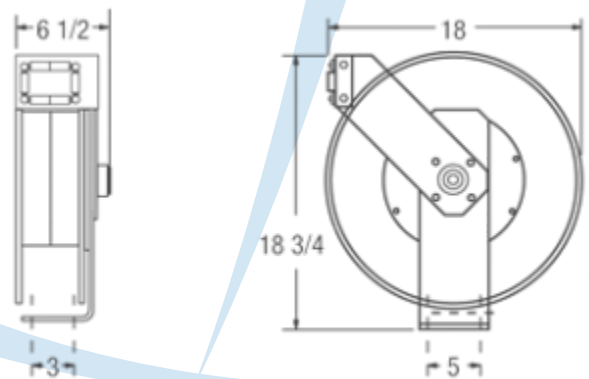
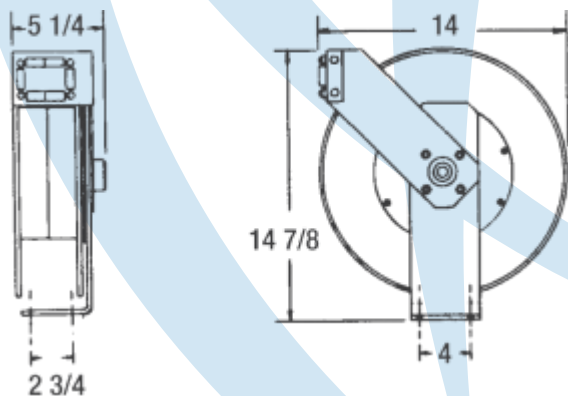
Rated Pressure - 300 PSI

Other sizes and PSI available. Ask for a quote that meets your application.

Specifications

Series 1	Hose ID (in)	Reel Inlet FPT	Hose End MPT	Hose Length (ft)
HRHT-250035	1/4"	3/8"	1/4"	35'
HRHT-250050	1/4"	3/8"	1/4"	50'
HRHT-375035	3/8"	3/8"	3/8"	35'

Series 2	Hose ID (in)	Reel Inlet FPT	Hose End MPT	Hose Length (ft)
HRHT-375050	3/8"	1/2"	3/8"	50'
HRHT-375070	3/8"	1/2"	3/8"	70'
HRHT-500050	1/2"	1/2"	1/2"	50'



United States | United Kingdom | New Zealand

PneuTech USA
 550 Albion Avenue ▪ Schaumburg, IL 60193
 888.966.9007
 www.pneutech.com