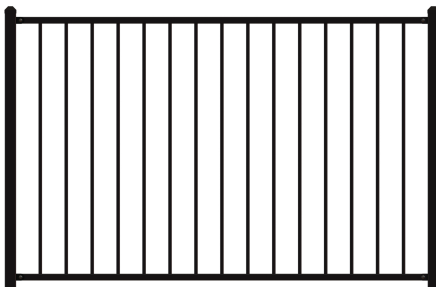
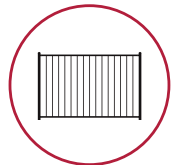


**EASY TO ASSEMBLE •
ORNAMENTAL STEEL
FENCE PANEL SYSTEM**

TruView® DIY assembly instruction



ASSEMBLY

To assemble TruView panel you will need the following tools:

- Phillips screwdriver,
- Safety knife,
- Wrench 7/16",
- Working gloves,
- Safety glasses,
- Measuring tape,
- Spirit level



TIP

To speed up the process of the fence installation it is recommended to use a cordless drill with the option of a screwdriver for C-bracket installation

WARNING

It is mandatory to ensure that the provided safety rules are followed during installation.

Be careful during the handling of the different panel components not to harm yourself or others around you.

NOTE

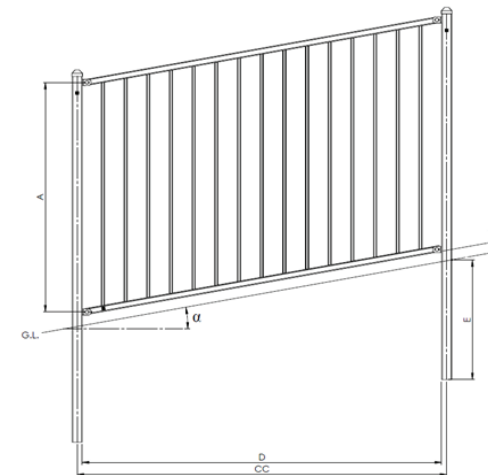
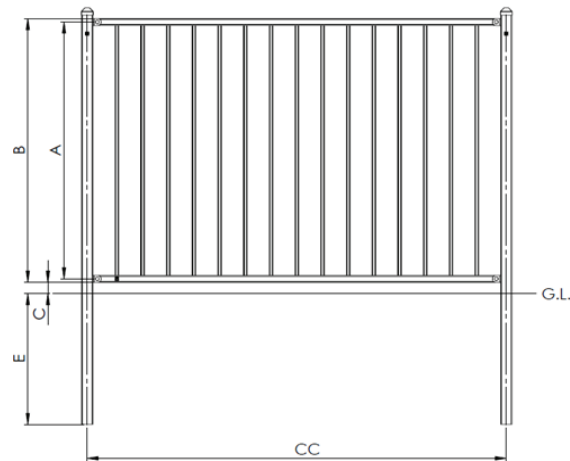
Before you start unpacking components from the box make sure you have enough space available around you, and that you are prepared to assemble the product. The surface used to assemble the panel should be protected with plastic foil or carton board so that the polyester coating of the panel is not damaged.

General dimensions:

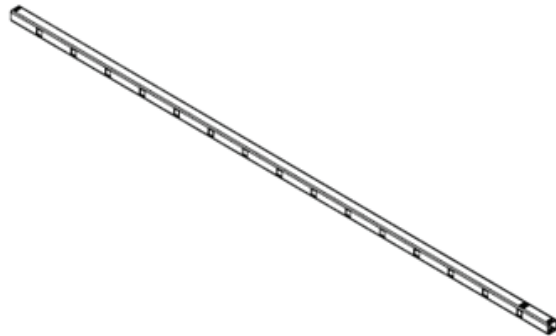
Post (center to center) installation distance (CC): 74 inches (at level grade)
 Internal panel space installation distance (D): 72 inches (at level grade)
 Panel height (B): 46 inches
 Recommended ground clearance (C): 2 inches
 Recommended installation depth of post in ground (E): 22 inches
 Allowed system installation angle (α): up to 10°

WARNING! The post to post installation distance (CC) changes when the system is installed on a slope. See provided table (right) showing the post to post distance VS the ground angle.

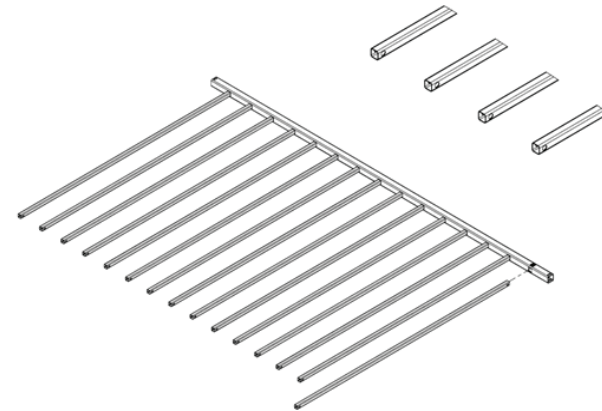
Ground angle	Recommended post to post distance (CC)
1°	74.00 inches
2°	74.00 inches
3°	74.00 inches
4°	73.80 inches
5°	73.80 inches
6°	73.60 inches
7°	73.50 inches
8°	73.25 inches
9°	73.20 inches
10°	72.80 inches



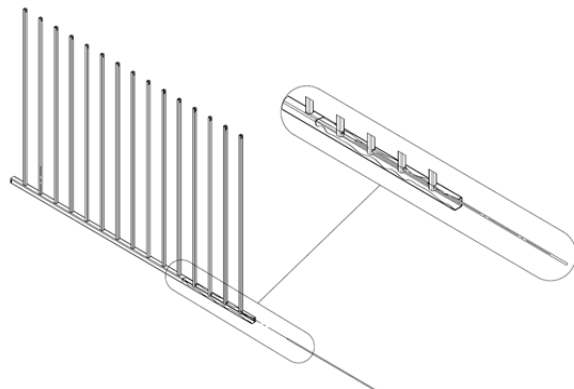
STEP 1: Unpack the horizontal profiles (2 pcs) containing 15 cutouts and put them on the prepared assembly area. Support the rail in the back so it does not move during the insertion of the pickets.



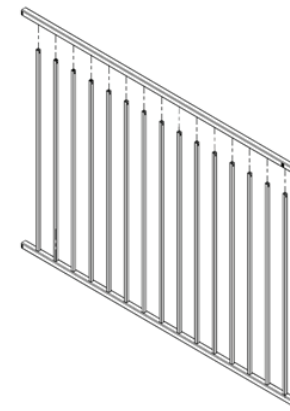
STEP 2: Unpack the pickets (15 pcs) and insert them in the horizontal profile. Make sure the profile cutouts are in line with the axis of the horizontal profile.



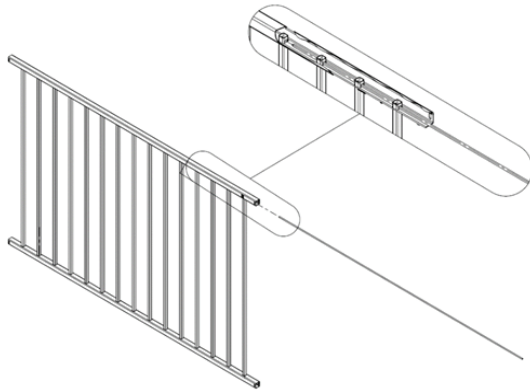
STEP 3: Lock the pickets in the horizontal profile with the wire rod which is included in the package. The wire rod must interlock with all 15 pickets.



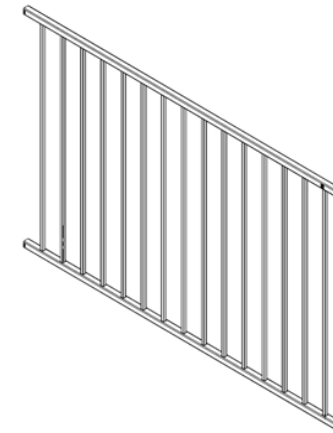
STEP 4: Align the pickets and insert them into the cutouts of the second horizontal profile.



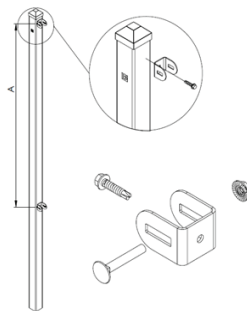
STEP 5: Lock the pickets in the horizontal profile with the wire rod included in package.
The wire rod must interlock with all 15 pickets.



STEP 6: The TruView DIY panel is now ready to install in the fence line.



STEP 7: The Installation of panel fixators to post:
2 fixators need to be attached to each post by means of the self-drilling screws.
Distance between the U-brackets is (A)= 44.8 inches. The Recommended distance of the lower bracket from the ground level is 2 inches to the bottom of bracket.
Repeat this step for opposite side of the panel on the other post.



STEP 8: Installation of the panel in the fence line.
Fix the fence panel to the 4 U-brackets by means of the provided carriage bolt and flange nut system.

