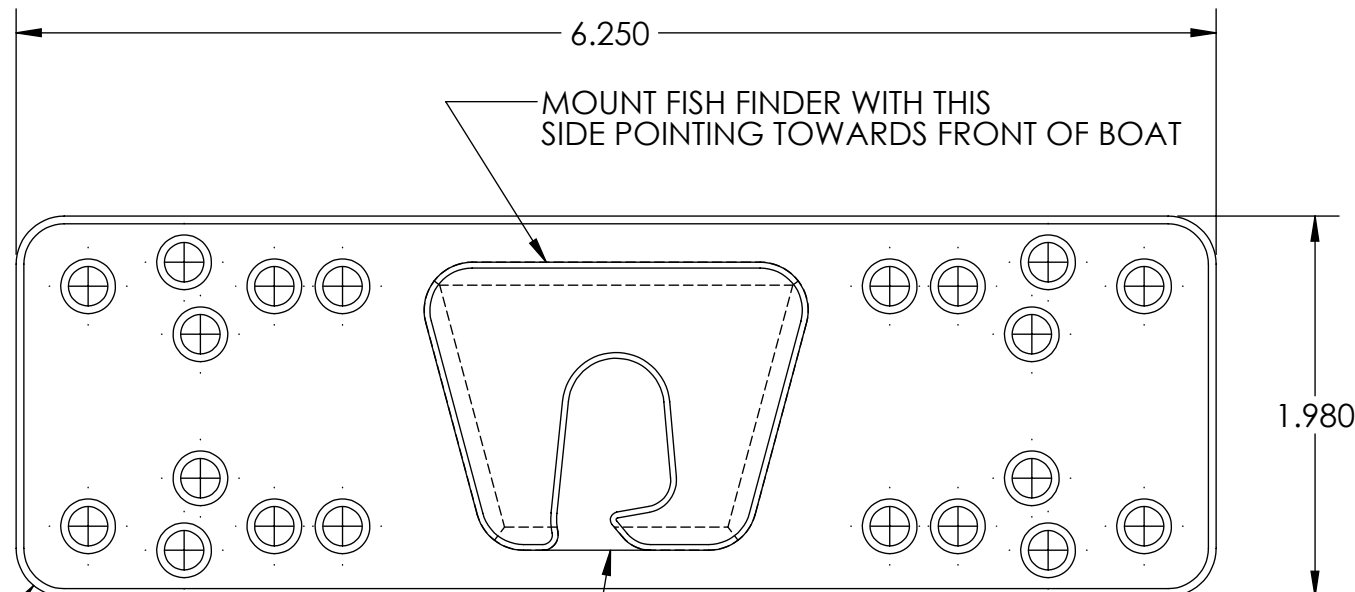
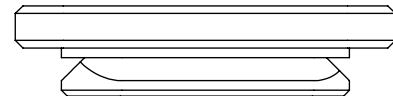
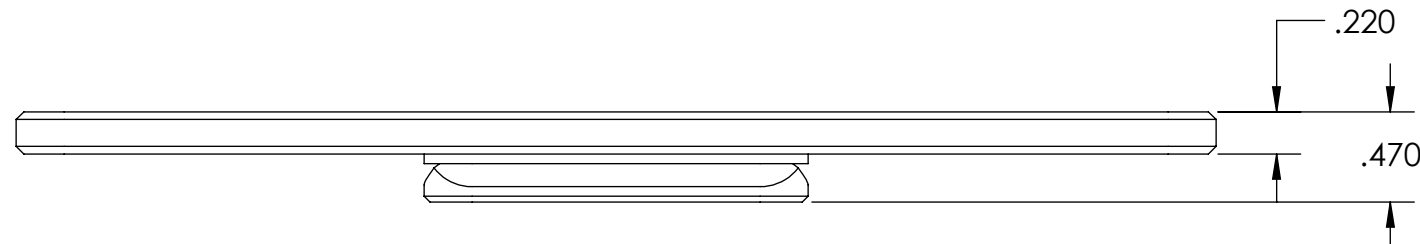
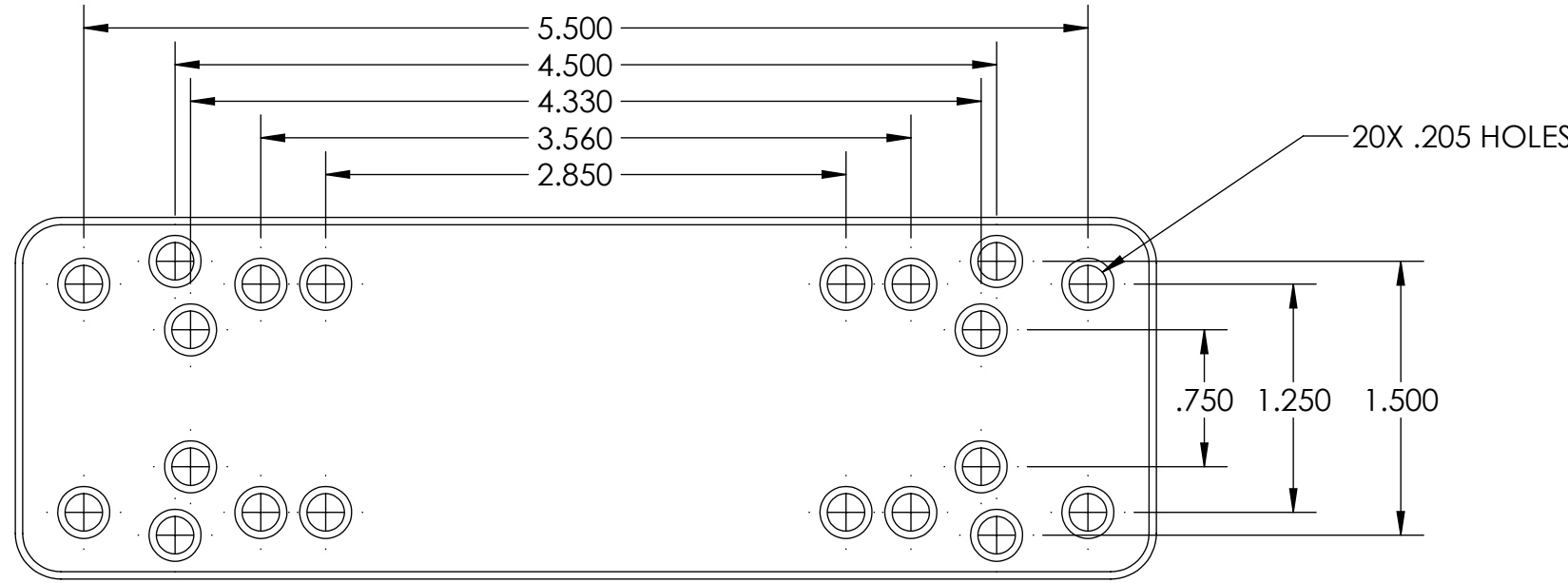


4

3

2

1



**REMOVE ALL BURRS**

**PROPRIETARY AND CONFIDENTIAL**  
 THE INFORMATION CONTAINED IN THIS DRAWING IS THE SOLE PROPERTY OF WREENGINEERING, INC. ANY REPRODUCTION IN PART OR AS A WHOLE WITHOUT THE WRITTEN PERMISSION OF WREENGINEERING, INC. IS PROHIBITED.

**UNLESS OTHERWISE SPECIFIED:**  
 ALL THREADS ARE FORMED.  
 DIMENSIONS ARE IN INCHES.  
 TOLERANCES ARE AS FOLLOWS:  
 FRACTIONAL ± 1/16  
 ANGULAR: MACH ± 2 BEND ± 5  
 TWO PLACE DECIMAL ± .010  
 THREE PLACE DECIMAL ± .002

MATERIAL  
**6061-T6 ALUMINUM**

FINISH

DO NOT SCALE DRAWING

	NAME	DATE
DRAWN	CWREN	3/5/20
CHECKED		
ENG APPR.		
MFG APPR.		
Q.A.		

<b>WREENGINEERING, INC.</b> 498 E. Harcourt Rd., Angola, IN 46703 Ph. 260-665-9095		
TITLE: <b>UNIVERSAL MARINE PLATE</b>		
SIZE <b>B</b>	DWG. NO. <b>FFP-2</b>	REV
SCALE: 1:1	WEIGHT:	SHEET 2 OF 2

B

B

A

A

4

3

2

1