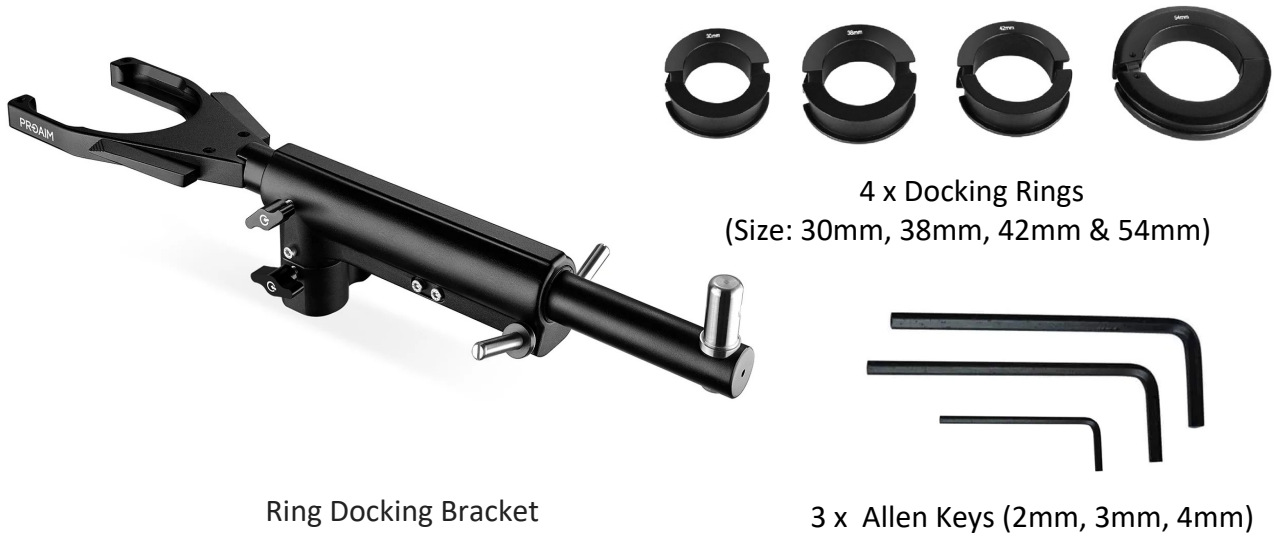


### Assembly Manual



### What's In The Box

Please inspect the contents of your shipped package to ensure you have received everything that is listed below.



Ring Docking Bracket

3 x Allen Keys (2mm, 3mm, 4mm)

All rights reserved.

No part of this document may be reproduced, stored in a retrieval system, or transmitted by any form or by any means, electronic, mechanical, photo-copying, recording, or otherwise, except as may be expressly permitted by the applicable copyright statutes or in writing by the Publisher.

## Ring Docking Bracket Setup

- Loosen the knob of the Ring Docking Bracket and securely mount the Bracket onto the Stand (**Not included**).



- Now, tighten the knob to securely mount the Docking Bracket onto the Stand.



- Loosen the top knob and adjust the position of the Docking Bracket per your requirement.
- After adjusting the position of the Docking bracket, tighten the knob to secure it.



**Feature:** The position of the Docking Bracket can be set per your requirement.



- Now, loosen both the bolts using the 4mm Allen key.



- After loosening the bolts, extend the length of the mounting rod.

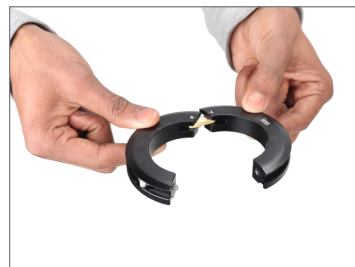


- Press the locking lever of the Docking Plate to remove the 54mm ring.



## 38mm Ring / 42mm Ring Mounting

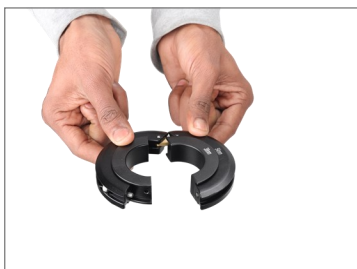
- Loosen screw of the 54mm ring using the 3mm Allen key to open the ring.



- Insert one-half of the 38mm ring into the 54mm ring securely.



- Now, insert the other half of the 38mm ring into the 54mm and close it.



- After closing the ring securely, tighten the screw using the 3mm Allen key.



- Now, mount both the rings to the Docking Bracket and lock them using the locking lever.



- Both the rings are securely mounted to the Docking Plate.

**NOTE: 1.** Repeat the same process for inserting the 42mm ring.

2. Remove the 38mm ring first and then insert the 42mm ring.



## Vista - II Vest & Arm Mounting

- Hang the Vista-II Vest & Arm (Not included) on the Docking bracket.



- Hang the Allen key by inserting it into the side holes of the Docking bracket.

**NOTE:** It offers the convenience of multiple 1/4" thread holes, for mounting additional accessories like Allen keys.



## Flycam Zest Pro Camera Stabilizer Setup

### 30mm Ring Mounting

- Loosen the screw of the 54mm ring using the 3mm Allen key and open the ring.

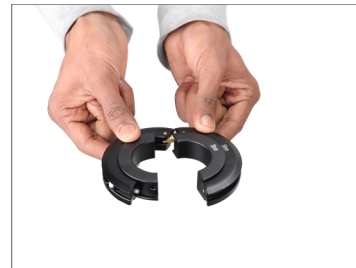
**NOTE:** To insert the 30mm Ring, first, remove the 38mm or 48mm Ring and then insert the 30mm Ring



- Insert first-half of the 30mm Ring into the 54mm Ring.



- Now, insert the second half of the 30mm Ring into the 54mm Ring.



- Mount the 54mm ring onto the Flycam Stabilizer (Not Included) and close the ring.



- Tighten the bolt of the Ring using a T-Type Allen Key (Not Included).



- Now, slide the Flycam Stabilizer into the Docking Plate and lock it securely.



- Flycam Stabilizer is securely mounted to the Docking Bracket.



## YOUR PROAIM RING DOCKING BRACKET ALL DRESSED UP AND READY TO GO!



(SHOWN WITH OPTIONAL ACCESSORIES)

**Warranty:** We offer one year warranty for our products from date of purchase. Within this period of time, we will repair it without charge for labor or parts. Warranty doesn't cover transportation costs nor does it cover a product subjected to misuse or accidental damage. Warranty repairs are subjected to inspection and evaluation by us.

**Liability:** We are not liable for damage caused by products that we do not supply or from mishandling in transit, accident, misuse, neglect, lack of care of the product, or service by anyone other than our company.

**Contact Us:** In case of any kind of dissatisfaction, please Contact us immediately and we promise our utmost support and care until you use our product.