

Safety Voltage Detector



IP65

INSTRUCTION MANUAL

INDEX	Page
1.Safety Rules.....	1
2.General Description.....	2
3.Features.....	2
4.Specifications.....	3
5.Instrument Layout.....	4-5
6.Method of use	6-7
7.Battery replacement.....	8-9
8.Cleaning and Storage.....	10



Caution, risk of electric shock.



Caution, refer to the user manual.

1. Safety Rules

The safety voltage detector has been designed with safety in mind. However, no design can completely protect against incorrect use.

Electrical circuits are dangerous and lethal through lack of caution or poor safety practice. The following rules should reduce the danger:

- Read the user manual carefully and completely before using the safety voltage detector. Fully understand the instructions before using this product. Follow the instructions for every test. Take all the necessary precautions. Do not exceed the limits of this safety voltage detector.
- The safety voltage detector must never be in physical contact with any conductor higher than 1kV. This is a proximity detector, not a detector which works by contact.
- Always check that the safety voltage detector is working before and after the test.

This instrument should only be used by a competent, suitably trained person who understands this test procedure fully. Personnel working with high voltage Should be trained regularly.

2. General Description

The safety voltage detector is a new instrument for checking the presence of AC voltages.

Protection class : IP65.

The safety voltage detector detects AC voltages using the sensor plate. The sensor plate collects part of the radiated electric field (V/M).

The safety voltage detector works by proximity. Its sensor senses the radiated field which surrounds live conductors.

This is an instrument designed to alert users that they are approaching live equipment where dangerous voltage is present.

The safety voltage detector helps the user stay a safe distance away from live equipment. It therefore protects and safeguards users from approaching dangerous live high voltage equipment or cables.

It's a new tool for checking the presence of AC high voltages and low voltages. The voltage detection is from 100Vac to 69kVac.

3. Features

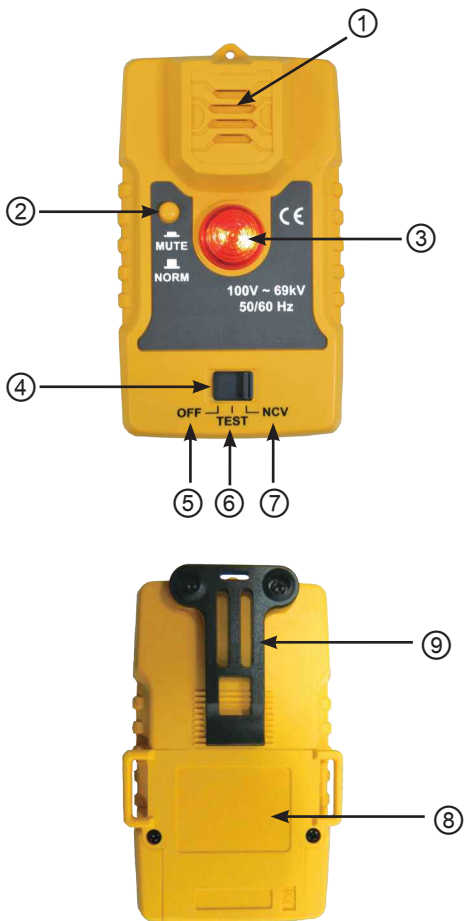
- Bright LED visual indication
- Audible indication
- Mute function
- AC voltage detection: 100Vac ~ 69kVac
- Frequency range: 50/60Hz
- Easy-to-prove method

- Self-test function
- Non-contact detection by proximity
- Personal sensor, easy to wear and convenient to use
- Can be attached with hot sticks by accessory
- Lightweight, robust and compact
- Easy access to batteries
- Comply with EN 61326-1

4. Specifications

AC Voltage detection	100 Vac ~ 69kVac
Frequency range	50/60 Hz
Operating temperature and humidity	0°C ~ 40°C / 80% R.H. Max.
Sound level	>99dB
Weight	Approx. 220g
Dimensions	133(L) × 77(W) × 52(D)mm
Power source	1.5V (AA) × 3 (Alkaline battery)
Safety standard	EN 61326-1
Accessories	Instruction manual Elastic cord Strap Adaptors Soft pouch Batteries Carry case

5. Instrument Layout



- ① Buzzer: High noise level buzzer triggered on voltage detection.
- ② MUTE button:
When this button is at the higher position, this means the normal mode.
When this button is at the lower position, this means the mute mode.
- ③ High bright LED indicator
- ④ Function switch
- ⑤ OFF position – Turn the pick-up sensor off
- ⑥ TEST position – Check if the entire circuitry is working.
- ⑦ NCV position – For detecting the AC Voltage from 100Vac ~ 69kVac.
- ⑧ Battery cover
- ⑨ Clip

6. Method of use

- CHECKING AND PROOFING

Turn the function switch to the TEST position, the buzzer of the safety voltage detector should beep and the LED indicator should light.

This indicates that the safety voltage detector is operational.

Turn the function switch to the NCV position, verify the working of this unit by placing the unit against a low voltage live conductor. The LED indicator and the buzzer should go on.

- OPERATION

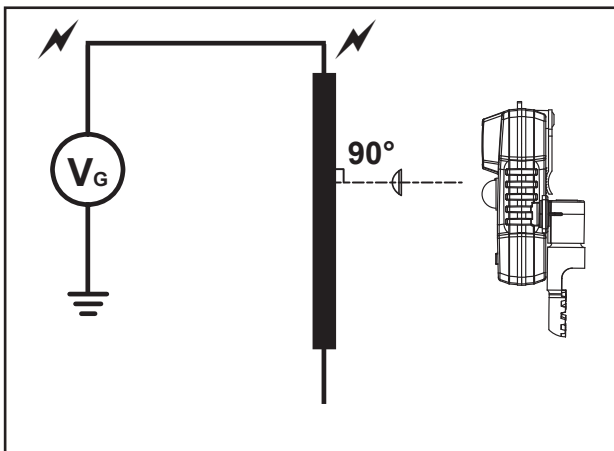
Turn the function switch to the NCV position for the non-contact voltage detection.

The safety voltage detector should always be worn on the outside of any clothing.

For example, clipped onto the pocket, belt. The safety voltage detector could be sensitive to static build-up and may become charged. In this case, this could trigger the alarm.

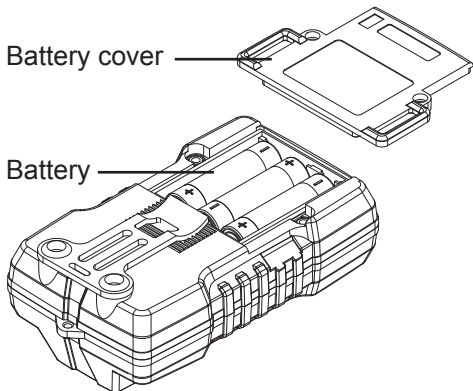
The safety voltage detector should be worn facing the direction of walking toward the AC power source. While facing the AC power source, this would be the front of your body.

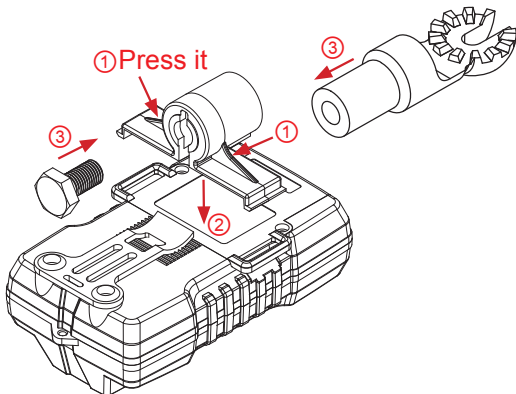
Always ensure that the alarm can be heard and seen (in case of noisy environment, check again the alarm sound before using, to ensure that you can be alarmed).



7. Battery replacement

- (1) Unscrew the battery cover and replace with new batteries.
- (2) Re-install the battery cover.





- The assembly of the adaptors



8. Cleaning and Storage

Periodically, wipe the case with a damp cloth and Detergent. Do not use abrasives or solvents.

If the instrument is not used for over 60 days, remove the batteries for storage.