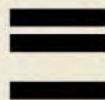




EDGE

PRO AUDIO
SPEAKER MANUAL



02



OWNERS MANUAL

Congratulations on purchasing your EDGE speakers. Please read this manual in order to fully understand how to get the best results from this product and ensure that all advice on how to look after the product is followed.

Thank you for buying EDGE, we hope you enjoy listening to your product as much as we enjoyed creating it.

CAUTION



DO NOT EXPOSE THIS PRODUCT TO DAMP OR MOISTURE - doing so may result in fire, shock or damage to the product.

BEFORE WIRING DISCONNECT THE CABLE FROM THE POSITIVE BATTERY TERMINAL - failure to do so may result in electric shock or injury.

ENSURE GOOD AND CORRECT CONNECTIONS - failure to make the correct connections may result in fire or damage to the product.

DO NOT USE ANY FUNCTIONS OF THIS EQUIPMENT THAT MAY TAKE YOUR CONCENTRATION AWAY FROM DRIVING YOUR VEHICLE - do not set up your amplifier whilst driving, doing so may result in an accident. For prolonged setting up, make sure that your vehicle is stationary and in a safe location.

KEEP THE VOLUME AT A LEVEL SO YOU CAN STILL HEAR OUTSIDE NOISE - failure to do this may result in an accident. EDGE equipment is capable of producing sound levels that can permanently damage your hearing. EDGE recommends caution when listening at high volume. For safe and enjoyable listening the sound should be comfortable and clear without distortion.

CAUTION

Never connect any speaker lead to the car chassis. This can cause severe damage to your speaker /car radio /amplifier.

Before drilling or cutting any holes, investigate the layout of your vehicle thoroughly.

Use caution when working near the fuel / hydraulic lines and electrical wiring.

Observe the correct polarity when wiring, improper phasing may cause a loss of bass response.

Ensure that no moving parts catch on the speaker or grill (e.g. window or door handles, or window glass inside the door)

INSTALLATION

- The quality of the installation will affect the system performance and reliability.
- Contact your nearest authorised EDGE dealer if you are unsure about the installation of this product.
- Please mount this unit away from any potential hazards.
- Minimising the length of wires will provide higher audio output from the system.
- The speaker should be securely fastened to the mounting position using the screws provided.
- Pre drill your mounting holes using a drill and position with the template provided.
- Be sure to investigate your mounting area thoroughly for electrical wires, brake or fuel lines or fuel tank to prevent causing any damage.

LIMITED WARRANTY

All EDGE products carry a full 12 month warranty, valid from the date of the original receipt and proof of purchase. It is recommended that the online warranty card is completed within seven days of the original purchase date and the original receipt and packaging should be retained.

If the product develops a problem at any stage during the warranty period, it should be returned to the point of purchase in it's original packaging, and complete with no items missing. If the store is unable to repair the product it may have to be returned to EDGE.

A full description of EDGE warranty information can be found on our website:

www.edgearaudio.com/warranty

WHAT IS NOT COVERED

- Damage to product due to improper installation.
- Subsequent damage to other components.
- Damage caused by exposure to moisture, excessive heat, chemical cleaners and / or UV radiation.
- Damage through negligence, misuse, accident or abuse. Repeated returns for the same fault may be considered abuse.
- Any cost or expense related to the removal and / or re-installation of the product.
- Damage caused by amplifier clipping or distortion.
- Items repaired or modified by any unauthorised repair facility.
- Return shipping on non defective items.
- Products returned without a returns authorisation number.
- Damage to product due to use of sealant.

INTERNATIONAL WARRANTY

Contact your international EDGE dealer or distributor concerning specific procedure for your country's warranty policies. **www.edgearaudio.com**

WARNING

EDGE equipment is capable of sound pressure levels that can cause permanent damage to your hearing and those around you. Please use common sense when listening to your audio system and practice safe sound.

COPYRIGHT

All content included in this manual such as text, graphics, logos, icons, images and data, are the property of Midbass Distribution Limited t/a EDGE audio (herein referred to as "EDGE", "us" or "we") and its affiliate or their content and technology providers, and are protected by United Kingdom and International copyright laws. All rights reserved. EDGE and all stylised representations of product names, or the abbreviations of product names, as logos are all trademarks of EDGE. Graphics and logos are trademarks or trade dress of EDGE audio or its subsidiaries. EDGE's trademarks and trade dress may not be used in connection with any product or service that is not EDGE's, in any manner that is likely to cause confusion among customers or in any manner that disparages or discredits EDGE. All other trademarks not owned by EDGE or its subsidiaries that appear in this manual are the property of their respective owners, who may or may not be affiliated with, connected to, or sponsored by EDGE or its subsidiaries.

TO THE FULLEST EXTENT PERMITTED AT LAW, EDGE IS PROVIDING THIS MANUAL AND ITS CONTENT ON AN "AS IS" BASIS AND MAKES NO (AND EXPRESSLY DISCLAIMS ALL) REPRESENTATIONS OR WARRANTIES OF ANY KIND, EXPRESS OR IMPLIED, WITH RESPECT TO THIS MANUAL OR THE INFORMATION, CONTENT, MATERIALS OR PRODUCTS INCLUDED IN THIS MANUAL INCLUDING, WITHOUT LIMITATION, WARRANTIES OF MERCHANTABILITY AND FITNESS FOR A PARTICULAR PURPOSE. IN ADDITION, EDGE DOES NOT REPRESENT OR WARRANT THAT THE INFORMATION CONTAINED IN THIS MANUAL IS COMPLETE OR CURRENT, AND THAT ALL SPECIFICATIONS AND INFORMATION CONTAINED WITHIN THIS MANUAL ARE SUBJECT TO CHANGE WITHOUT NOTICE. EDGE RECOMMEND CAUTION WHEN LISTENING TO MUSIC REPRODUCED THROUGH EDGE EQUIPMENT. EDGE EQUIPMENT IS CAPABLE OF PRODUCING SOUND AND SOUND PRESSURE LEVELS THAT CAN PERMANENTLY DAMAGE HEARING OF YOU AND THAT OF OTHERS. FOR SAFE AND ENJOYABLE LISTENING, THE SOUND SHOULD BE CLEAR WITHOUT DISTORTION AT A COMFORTABLE VOLUME. BY USING ANY EDGE EQUIPMENT, YOU AGREE TO TAKE FULL RESPONSIBILITY FOR YOUR OWN SAFETY AND THE SAFETY OF OTHERS WHEN LISTENING TO MUSIC AT HIGH VOLUMES THROUGH EQUIPMENT YOU HAVE PURCHASED. USE OF ANY EDGE EQUIPMENT CONSTITUTES AGREEMENT TO THIS DISCLAIMER.

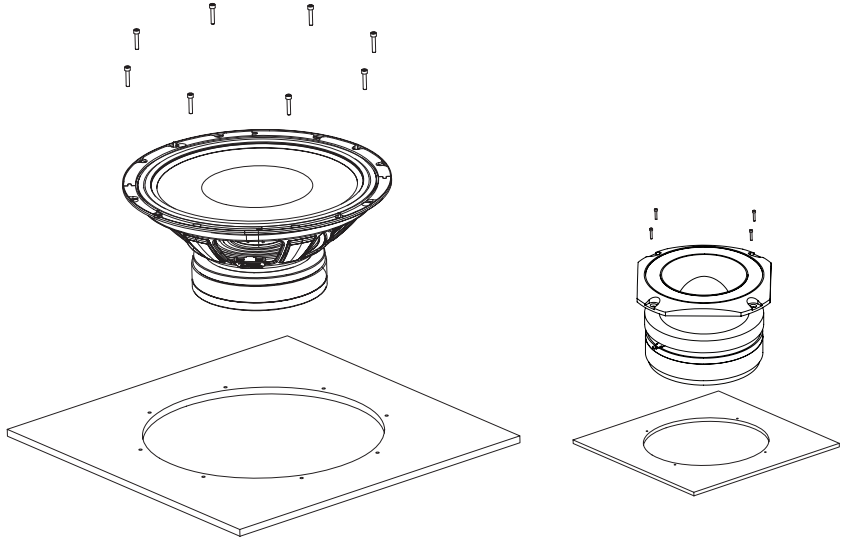
Except as specifically stated in this manual, to the fullest extent permitted at law, neither EDGE nor any of its affiliates, directors, employees or other representatives will be liable for damages arising out of or in connection with the use of this manual or the information, content, materials or products included.

This is a comprehensive limitation of liability that applies to all damages of any kind, including (without limitation) compensatory, direct, indirect or consequential damages, loss of data, income or profit, loss of or damage to property and claims of third parties. For the avoidance of doubt, EDGE does not limit its liability for death or personal injury to the extent only that it arises as a result of negligence of EDGE, its affiliates, directors, employees or other representatives.

INSTALLATION GUIDELINES

Firstly, make sure that the speakers will fit in your chosen location. This may involve the removal of the standard vehicle speakers. Please use the mounting depth and hole cut dimensions as detailed in this manual for guidance.

- If necessary cut any material away to allow the speaker to sit correctly.
- Cut out the mounting hole and pre-drill any other fixing holes.

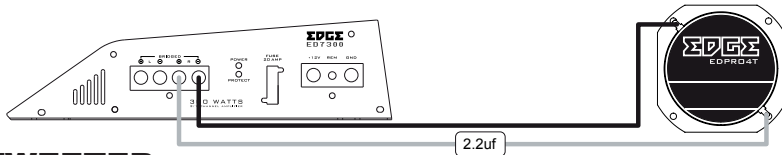


SPEAKER INSTALLATION

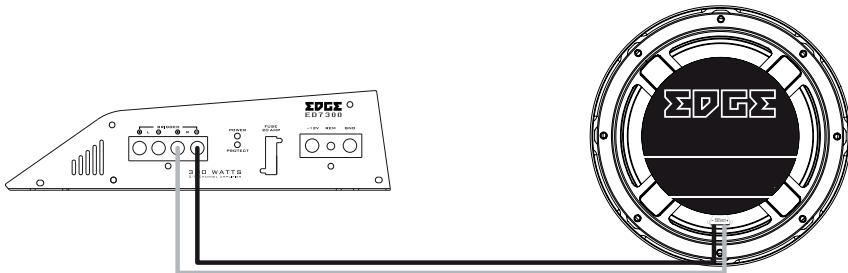
Find a suitable mounting location for the speaker.

Mark the mounting holes and pre drill the fixing hole with a 2mm drill bit. Be careful not to over tighten the screws as it may cause damage to the speaker

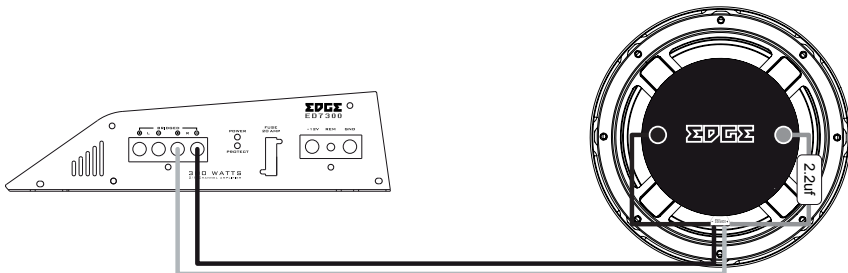
WIRING CONNECTIONS TO AN EXTERNAL AMPLIFIER



TWEETER



MIDRANGE



FULL RANGE

- Connect amplifier speaker output to the terminals of the woofer ensuring that correct polarity is observed
- For woofers it is recommended that a low pass crossover of around 4kHz is used.
- For tweeters it is recommended that a high pass crossover of around 4kHz is used.

NOTE :

Do not use the tweeter without either an active crossover or the supplied capacitor as this will cause damage to the tweeter that will not be covered under warranty.

SPECIFICATION

Model	EDPRO35T-E4	EDPRO4T-E4	EDPRO45T-E6	EDPRO45TN-E6
Type	Bullet tweeter	Bullet tweeter	Compression driver	Compression driver
Configuration	1-way	1-way	1-way	1-way
Speaker Size	3.4" (87mm)	4.1" (105mm)	6.5" (165mm)	8.2" (208mm)
RMS Power	70 watts	100 watts	80 watts	80 watts
Peak Power	210 watts	300 watts	240 watts	240 watts
Minimum Input (RMS)	35 watts	50 watts	40 watts	40 watts
Sensitivity	95dB	97dB	102dB	105dB
Frequency Response	2kHz - 230kHz	3kHz - 30kHz	1.2kHz - 20kHz	1.2Hz - 20kHz
Impedance	4Ω	4Ω	4Ω	4Ω
Mounting Depth	2.1" (53mm)	2.4" (62mm)	3.9" (100mm)	3.7" (95mm)
Mounting Diameter	3.1" (80mm)	4" (101mm)	5.3" (135mm)	5.3" (135mm)

Model	EDPRO6M-E4	EDPRO8M-E4	EDPRO10W-E4	EDPRO6B-E6	EDPRO65B-E6	EDPRO65FW-E6
Type	Pro audio midrange	Pro audio midrange	Pro audio woofer	Pro audio midrange	Pro audio midrange	Full range speaker
Configuration	1-way	1-way	1-way	1-way	1-way	2-way
Speaker Size	6.5" (170mm)	8" (210mm)	10" (257mm)	6.5" (165mm)	6.5" (165mm)	6.5" (165mm)
RMS Power	150 watts	200 watts	250 watts	150 watts	150 watts	150 watts
Peak Power	450 watts	600 watts	750 watts	300 watts	300 watts	300 watts
Minimum Input (RMS)	75 watts	100 watts	125 watts	75 watts	75 watts	75 watts
Sensitivity	92dB	93dB	93dB	93dB	93dB	98dB
Frequency Response	190Hz - 9kHz	65Hz - 7.5kHz	55Hz - 5kHz	150Hz - 10kHz	150Hz - 10kHz	100Hz - 20kHz
Impedance	4Ω	4Ω	4Ω	4Ω	4Ω	4Ω
Mounting Depth	2.7" (68mm)	3.3" (85mm)	4.1" (105mm)	3" (76mm)	3" (76mm)	3.3" (85mm)
Mounting Diameter	5.7" (146mm)	7.2" (185mm)	9.2" (235mm)	5.7" (144mm)	5.7" (144mm)	5.7" (145mm)

Model	EDPRO65C-E6	EDPRO65L-E6	EDPRO65X-E6	EDPRO65XL-E6	EDPRO8X-E6	EDPRO8SX-E6
Type	Pro audio midrange	Pro audio midrange	Pro audio midrange	Pro audio midrange	Pro audio midrange	Pro audio midrange
Configuration	1-way	1-way	1-way	1-way	1-way	1-way
Speaker Size	6.5" (165mm)	6.5" (165mm)	6.5" (165mm)	6.5" (165mm)	8" (200mm)	8" (200mm)
RMS Power	130 watts	130 watts	150 watts	100 watts	150 watts	150 watts
Peak Power	260 watts	260 watts	300 watts	260 watts	300 watts	300 watts
Minimum Input (RMS)	65 watts	65 watts	75 watts	50 watts	75 watts	75 watts
Sensitivity	92dB	93dB	92dB	93dB	94dB	92dB
Frequency Response	130Hz - 11kHz	120Hz - 11kHz	150Hz - 8kHz	128Hz - 10kHz	100Hz - 10kHz	120Hz - 20kHz
Impedance	4Ω	4Ω	4Ω	4Ω	4Ω	4Ω
Mounting Depth	2.4" (60mm)	2.6" (65mm)	2.3" (58mm)	2.8" (72mm)	3.1" (78mm)	3.4" (86mm)
Mounting Diameter	5.6" (143mm)	5.6" (143mm)	5.6" (143mm)	5.7" (144mm)	7.2" (183mm)	7.2" (183mm)

UK TECHNICAL ENQUIRIES

Call 09067031420

Calls cost 50p per minute. Call costs correct at date of publication (01/02/12)

Hours of business 9.00am - 5.30pm GMT Monday - Friday.

All calls are recorded for training purposes.

MIDBASS Distribution

PO Box 11000

B75 7WG




INTERNATIONAL TECHNICAL ENQUIRIES

For international technical support please contact the distribution agent for your country.

Please visit www.edgearaudio.co.uk for more details.





EDPRO35T-E4
EDPRO4T-E4
EDPRO6M-E4
EDPRO8M-E4
EDPRO10W-E4
EEDPRO45TN-E6
EDPRO45T-E6
EDPRO6B-E6

EDPRO65B-E6
EDPRO65C-E6
EDPRO65L-E6
EDPRO65FW-E6
EDPRO65X-E6
EDPRO65XL-E6
EDPRO8X-E6
EDPRO8SX-E6

WWW.EDGECARAUDIO.COM