

EDGE

Setting the streets alight...

STREET STREET

SERIES

COMPONENT SPEAKER USER GUIDE

ED305-E2

ED306-E2



OWNERS MANUAL

Congratulations on purchasing your EDGE speakers. Please read this manual in order to fully understand how to get the best results from this product and ensure that all advice on how to look after the product is followed.

Thank you for buying EDGE, we hope you enjoy listening to your product as much as we enjoyed creating it.

CAUTION



DO NOT EXPOSE THIS PRODUCT TO DAMP OR MOISTURE - doing so may result in fire, shock or damage to the product.

BEFORE WIRING DISCONNECT THE CABLE FROM THE POSITIVE BATTERY TERMINAL - failure to do so may result in electric shock or injury.

ENSURE GOOD AND CORRECT CONNECTIONS - failure to make the correct connections may result in fire or damage to the product.

DO NOT USE ANY FUNCTIONS OF THIS EQUIPMENT THAT MAY TAKE YOUR CONCENTRATION AWAY FROM DRIVING YOUR VEHICLE - do not set up your amplifier whilst driving, doing so may result in an accident. For prolonged setting up, make sure that your vehicle is stationary and in a safe location.

KEEP THE VOLUME AT A LEVEL SO YOU CAN STILL HEAR OUTSIDE NOISE - failure to do this may result in an accident. EDGE equipment is capable of producing sound levels that can permanently damage your hearing. EDGE recommends caution when listening at high volume. For safe and enjoyable listening the sound should be comfortable and clear without distortion.

CAUTION

Never connect any speaker lead to the car chassis. This can cause severe damage to your speaker /car radio /amplifier.

Before drilling or cutting any holes, investigate the layout of your vehicle thoroughly.

Use caution when working near the fuel / hydraulic lines and electrical wiring.

Observe the correct polarity when wiring, improper phasing may cause a loss of bass response.

Ensure that no moving parts catch on the speaker or grill (e.g. window or door handles, or window glass inside the door)

INSTALLATION

- The quality of the installation will affect the system performance and reliability.
- Contact your nearest authorised EDGE dealer if you are unsure about the installation of this product.
- Please mount this unit away from any potential hazards.
- Minimising the length of wires will provide higher audio output from the system.
- The speaker should be securely fastened to the mounting position using the screws provided.
- Pre drill your mounting holes using a drill and position with the template provided.
- Be sure to investigate your mounting area thoroughly for electrical wires, brake or fuel lines or fuel tank to prevent causing any damage.

LIMITED WARRANTY

All EDGE products carry a full 12 month warranty, valid from the date of the original receipt and proof of purchase. In order to validate this warranty, the online warranty card should be completed within seven days of the original purchase date. The original receipt and packaging should be retained for this twelve month period. If the product develops a problem any stage during the warranty period, it should be returned to the point of purchase in its original packaging, and complete with no items missing. If the store is unable to repair the product it may have to be returned to EDGE.

A full description of EDGE warranty information can be found on our website:

www.edgecaraudio.co.uk/warranty

WHAT IS NOT COVERED

- Damage to product due to improper installation.
- Subsequent damage to other components.
- Damage caused by exposure to moisture, excessive heat, chemical cleaners and / or UV radiation.
- Damage through negligence, misuse, accident or abuse. Repeated returns for the same fault may be considered abuse.
- Any cost or expense related to the removal and / or re-installation of the product.
- Damage caused by amplifier clipping or distortion.
- Items repaired or modified by any unauthorised repair facility.
- Return shipping on non defective items.
- Products returned without a returns authorisation number.
- Damage to product due to use of sealant.

INTERNATIONAL WARRANTY

Contact your international EDGE dealer or distributor concerning specific procedure for your country's warranty policies.

WARNING

EDGE Equipment is capable of sound pressure levels that can cause permanent damage to your hearing and those around you. Please use common sense when listening to your audio system and practice safe sound.

COPYRIGHT

All content included in this manual such as text, graphics, logos, icons, images and data, are the property of Midbass Distribution Limited t/a EDGE audio (herein referred to as "EDGE", "us" or "we") and its affiliate or their content and technology providers, and are protected by United Kingdom and International copyright laws. All rights reserved. EDGE and all stylised representations of product names, or the abbreviations of product names, as logos are all trademarks of EDGE. Graphics and logos are trademarks or trade dress of EDGE audio or its subsidiaries. EDGE's trademarks and trade dress may not be used in connection with any product or service that is not EDGE's, in any manner that is likely to cause confusion among customers or in any manner that disparages or discredits EDGE. All other trademarks not owned by EDGE or its subsidiaries that appear in this manual are the property of their respective owners, who may or may not be affiliated with, connected to, or sponsored by EDGE or its subsidiaries.

TO THE FULLEST EXTENT PERMITTED AT LAW, EDGE IS PROVIDING THIS MANUAL AND ITS CONTENT ON AN "AS IS" BASIS AND MAKES NO (AND EXPRESSLY DISCLAIMS ALL) REPRESENTATIONS OR WARRANTIES OF ANY KIND, EXPRESS OR IMPLIED, WITH RESPECT TO THIS MANUAL OR THE INFORMATION, CONTENT, MATERIALS OR PRODUCTS INCLUDED IN THIS MANUAL INCLUDING, WITHOUT LIMITATION, WARRANTIES OF MERCHANTABILITY AND FITNESS FOR A PARTICULAR PURPOSE. IN ADDITION, EDGE DOES NOT REPRESENT OR WARRANT THAT THE INFORMATION CONTAINED IN THIS MANUAL IS COMPLETE OR CURRENT AND THAT ALL SPECIFICATIONS AND INFORMATION CONTAINED WITHIN THIS MANUAL ARE SUBJECT TO CHANGE WITHOUT NOTICE. EDGE RECOMMEND CAUTION WHEN LISTENING TO MUSIC REPRODUCED THROUGH EDGE EQUIPMENT. EDGE EQUIPMENT IS CAPABLE OF PRODUCING SOUND AND SOUND PRESSURE LEVELS THAT CAN PERMANENTLY DAMAGE HEARING OF YOU AND THAT OF OTHERS. FOR SAFE AND ENJOYABLE LISTENING, THE SOUND SHOULD BE CLEAR WITHOUT DISTORTION AT A COMFORTABLE VOLUME. BY USING ANY EDGE EQUIPMENT, YOU AGREE TO TAKE FULL RESPONSIBILITY FOR YOUR OWN SAFETY AND THE SAFETY OF OTHERS WHEN LISTENING TO MUSIC AT HIGH VOLUMES THROUGH EQUIPMENT YOU HAVE PURCHASED. USE OF ANY EDGE EQUIPMENT CONSTITUTES AGREEMENT TO THIS DISCLAIMER.

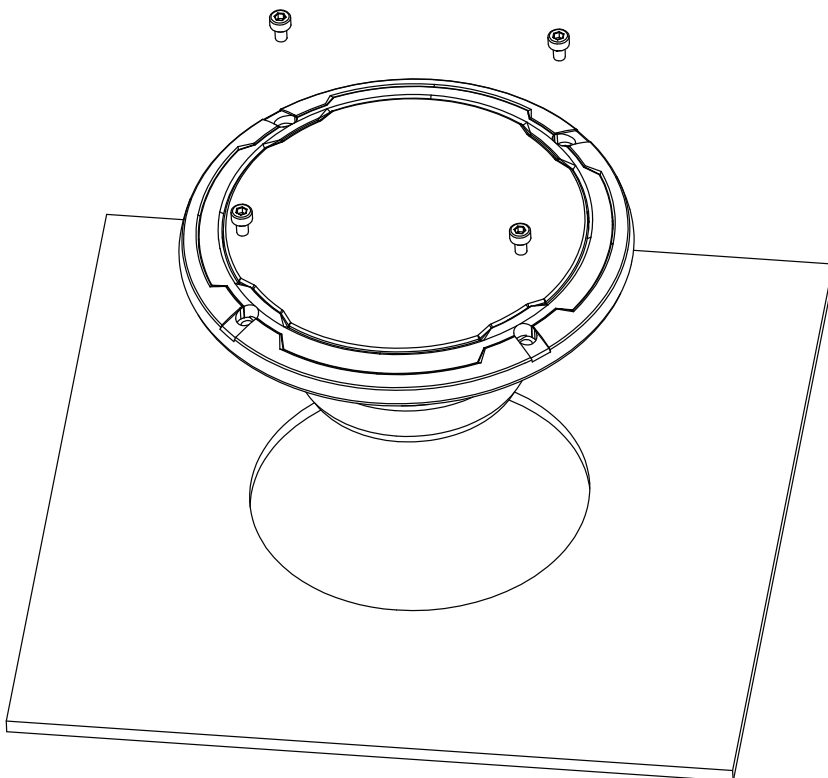
Except as specifically stated in this manual, to the fullest extent permitted at law, neither EDGE nor any of its affiliates, directors, employees or other representatives will be liable for damages arising out of or in connection with the use of this manual or the information, content, materials or products included.

This is a comprehensive limitation of liability that applies to all damages of any kind, including (without limitation) compensatory, direct, indirect or consequential damages, loss of data, income or profit, loss of or damage to property and claims of third parties. For the avoidance of doubt, EDGE does not limit its liability for death or personal injury to the extent only that it arises as a result of negligence of EDGE, its affiliates, directors, employees or other representatives.

WOOFER INSTALLATION GUIDELINES

Firstly, make sure that the speakers will fit in your chosen location. This may involve the removal of the standard vehicle speakers. Please use the mounting depth and hole cut dimensions as detailed in this manual for guidance.

- If necessary cut any material away to allow the speaker to sit correctly.
- Cut out the mounting hole and pre-drill any other fixing holes.
- Screw through both gasket and speaker until the speaker is securely fastened.



WOOFER INSTALLATION

Using the template provided find a suitable mounting location for the woofer.

Mark the mounting holes and pre drill the fixing hole with a 2mm drill bit. If the grill is too be fitted then place it over the speaker and screw through both the grill and the speaker using the provided screws. Be careful not to over tighten the screws as it may cause damage to the grill.

TWEETER INSTALLATION GUIDELINES

The tweeter can either be fitted flush mount or surface mount.

Try and take into account the following when locating a suitable position.

For optimum staging try and locate a position that is higher than the woofer but within twelve inches (maximum) of it.

It is vital that the tweeter is adjusted so that it is focused towards the listener.

SURFACE MOUNT INSTALLATION

After finding a suitable position for the tweeters place the base of the tweeter casing in the correct position.

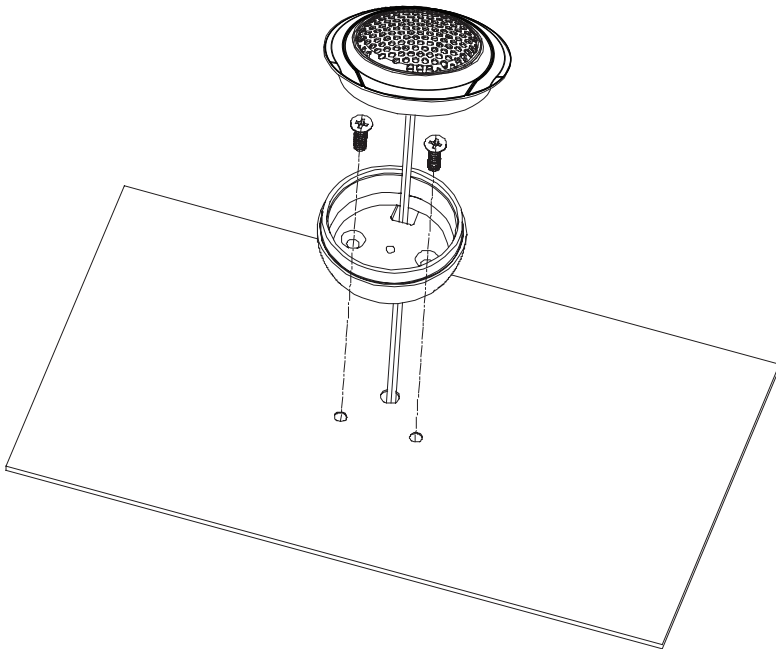
Using this base mark the two mounting holes and the hole for the wire to pass through.

Cut out these holes using a 2mm drill for the fixing screws and at least an 8mm hole for the cable and ensure that the hole cut for the cable is big enough and will not cause the cable to become chaffed in any way.

Pass the tweeter cable through the bottom of the case and through the previously drilled hole.

Secure the base of the tweeter housing with the screws provided.

Finally, angle the tweeter so that it is focused towards the listener.



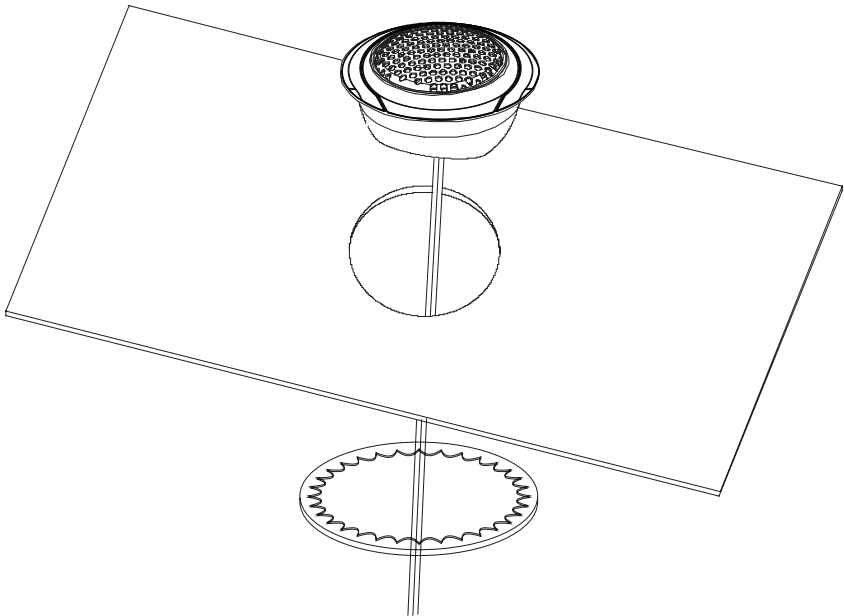
FLUSH MOUNT INSTALLATION

For ease of installation there are two ways of fixing the tweeters in place.

The first requires the use of the metal ring provided. (**See Figure A**)

- After finding a suitable position for the tweeters place the cut out template for the tweeter in position and mark around it.
- Before cutting the holes double check that no brake, fuel lines or wiring harnesses are likely to get damaged.
- Ensure that the tweeter when fitted will not catch on any moving parts such as door / window handles.
- If mounting in a door check that the window can still be fully lowered before installing.
- Cut out the hole carefully.
- Place the entire tweeter into the cut out hole.
- From the back push the metal ring over the rear of the casing until it is tight into the cutout hole.

FIGURE A

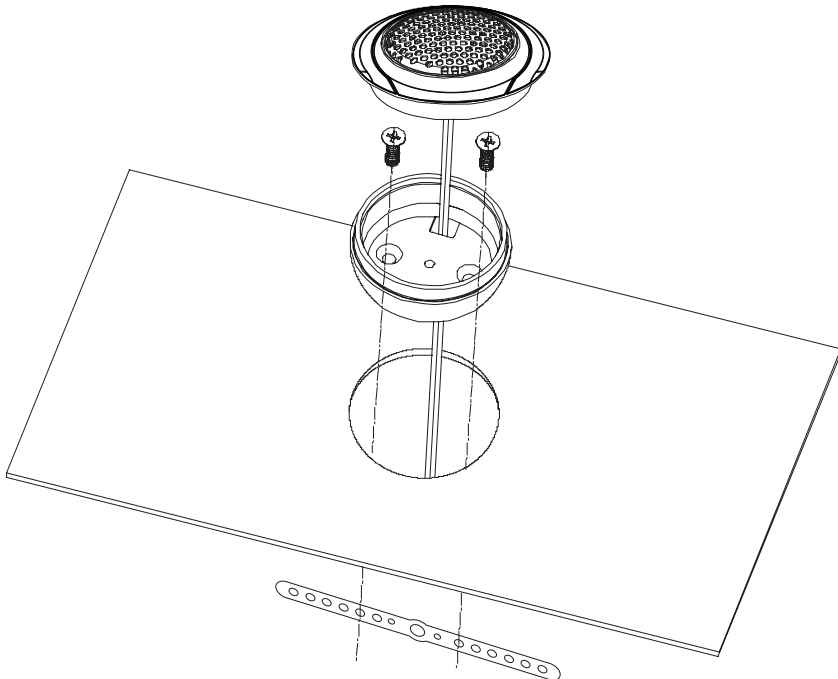


FLUSH MOUNT INSTALLATION

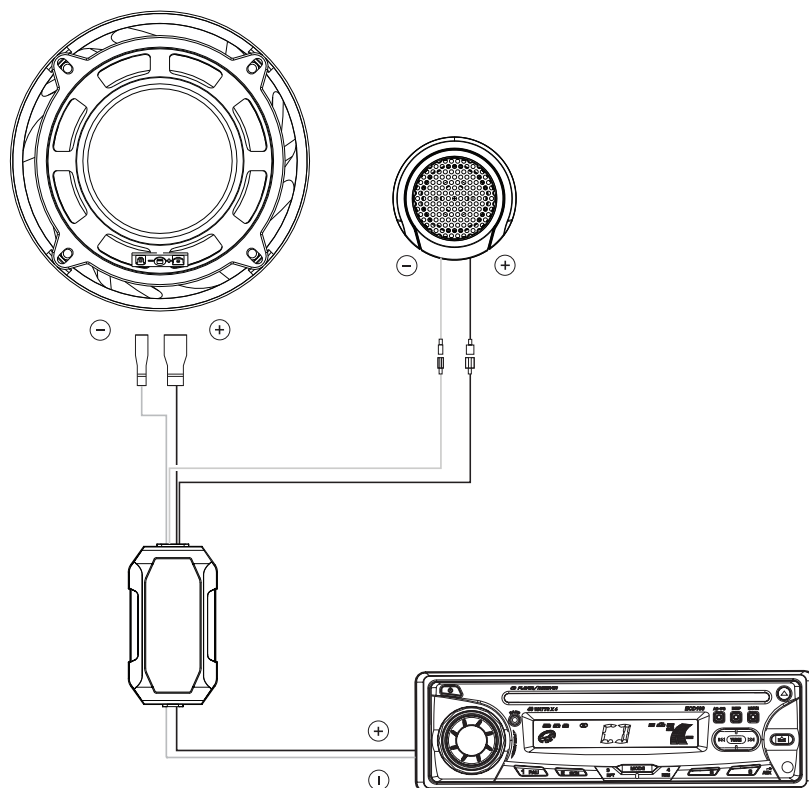
The second requires the use of the metal strip provided. (See Figure B)

- After finding a suitable position for the tweeters place the cut out template for the tweeter in position and mark around it.
- Before cutting the holes double check that no brake, fuel lines or wiring harnesses are likely to get damaged.
- Ensure that the tweeter when fitted will not catch on any moving parts such as door / window handles.
- If mounting in a door check that the window can still be fully lowered before installing.
- Cut out the hole carefully.
- Position the metal strip fixing strip centrally, behind the cut out hole.
- Using the fixing screws attach the base of the tweeter case to the metal strip.
- Pass the tweeter cable through the hole in the centre in the bottom of the case and the metal fixing strip.
- Pull the cable tight until the tweeter sits in the base.
- Screw the top of the tweeter casing to the base.
- Caution do not over tighten.

FIGURE B



WIRING CONNECTIONS TO AN OEM OR AFTERMARKET HEADUNIT



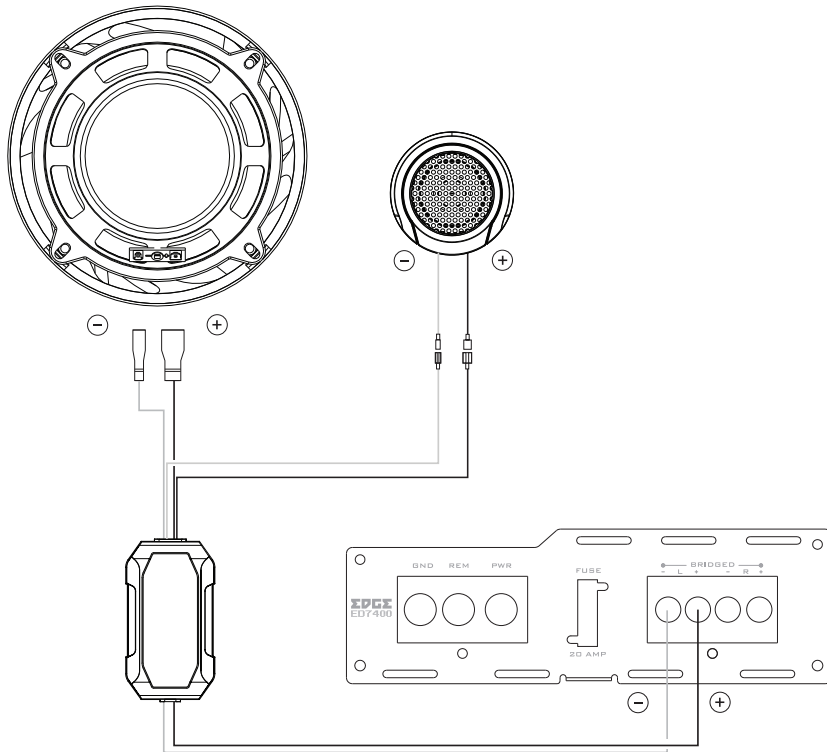
- Connect the tweeter output wire of the crossover (-TW+) to the tweeter using the spade connectors attached to the wire and the tweeter.
- Connect the woofer output wire of the crossover (-WF+) to the woofer using the spade connectors attached to the wire.
- Connect the input wire of the crossover (-IN+) to the speaker wiring in the vehicle.

Please ensure that correct polarity is observed.

Positive: Black / white stripe

Negative: Black

WIRING CONNECTIONS TO AN EXTERNAL AMPLIFIER



- Connect the tweeter output wire of the crossover (-TW+) to the tweeter using the spade connectors attached to the wire and the tweeter.
- Connect the woofer output wire of the crossover (-WF+) to the woofer using the spade connectors attached to the wire.
- Connect the input wire of the crossover (-IN+) to the speaker output of the amplifier.

Please ensure that correct polarity is observed.

Positive: Black / white stripe

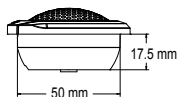
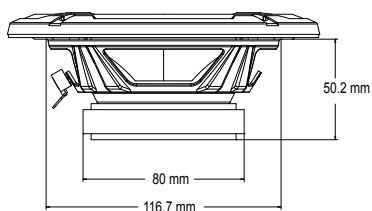
Negative: Black

SPECIFICATION

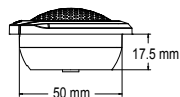
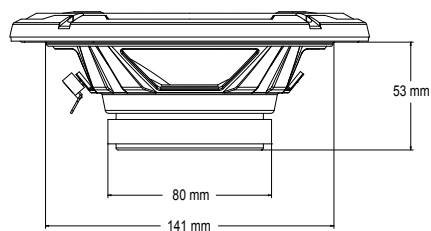
Model	ED305	ED306
Type	component	component
Configuration	2 way	2 way
Speaker size	5.25" (130mm)	6.5" (165mm)
RMS power	70 watts	80 watts
Peak power	210 watts	240 watts
Minimum input	35 watts RMS	40 watts RMS
Sensitivity	91dB	91dB
Frequency response	80Hz – 20KHz	65Hz – 20KHz
Recommended amplifier	ED7400/7800 ED71600	ED7400/7800 ED71600

MOUNTING DIMENSIONS

ED305



ED306



UK TECHNICAL ENQUIRIES

Call 09067031420

Calls cost 50p per minute. Call costs correct at date of publication (01/02/12)

Hours of business 9.00am - 5.30pm GMT Monday - Friday.

All calls are recorded for training purposes.

MIDBASS Distribution

PO Box 11000

B75 7WG



INTERNATIONAL TECHNICAL ENQUIRIES

For international technical support please contact the distribution agent for your country.

Please visit www.edgecaraudio.co.uk/contact-us for more details.





LIVE
BY IT



www.edgecaraudio.com



www.facebook.com/edgeaudio