



USER MANUAL

CONTENTS

- 3 Caution
- 5 Components
- 7 Setup & Installation
- 14 Operation
- 15 Cleaning & Maintenance
- 17 Troubleshooting
- 18 Technical Information

CAUTION



WARNING: These instructions should be read carefully and retained for future use, we cannot be liable for any damages caused by not following these instructions.

Important Safety Instructions

Operation of the heater can be dangerous. Observing the following procedures will reduce the risk of fire, injury to a person and minimize setup time.

1. Keep solid combustibles, such as building materials, paper or cardboard, a safe distance away from the heater.
2. Provide adequate clearance around air openings leading to the combustion chamber.
3. During operation, this product can be a source of ignition. Keep heater area clear and free from combustible materials, gasoline, paint thinner, cleaning solvents and other flammable vapours and liquids. Do not use heater in areas with high dust content. Minimum heater clearances from combustible materials is 1 m (3 ft) from the sides and 1 m (3 ft) from the top.
4. Never store propane near high heat, open flames, direct sunlight, other ignition sources or where temperatures exceed 49°C (120°F).
5. Propane vapours are heavier than air and can accumulate in low places. If you smell gas, leave the area immediately.
6. Never install or remove propane cylinder while heater is lit, near a flame, near other ignition sources or while heater is hot to the touch.
7. Store the propane cylinder outdoors in a well ventilated space out of reach from children. Never store the propane cylinder in an enclosed area. If the heater is stored indoors, disconnect the propane cylinder to store outdoors.
8. This heater is a combustion appliance that produces carbon monoxide. This product is designed to produce extremely small, non-hazardous amounts of carbon monoxide if used and maintained in accordance with all warnings and instructions.
9. Carbon monoxide poisoning produces flu-like symptoms, watery eyes, headaches, dizziness, fatigue and possibly death. It cannot be seen and cannot be smelled. If these symptoms are present during operation of this product, get fresh air immediately.
10. For outdoor use only. Never use inside house or other unventilated or enclosed areas.

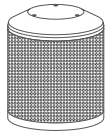
CAUTION

11. California Proposition 65: Combustion by-products produced when using this product contain chemicals known to the State of California to cause cancer, birth defects, and other reproductive harm.
12. This product is fuelled by propane gas. Propane gas is invisible, odourless, and flammable. An odourant is normally added to help detect leaks and can be described as a “rotten egg” smell. The odourant can fade over time so leaking gas is not always detectable by smell alone.
13. Store or use propane gas in compliance with local ordinances and codes or with ANS/NFPA 58. Turn off propane when not in use.
14. Never leave heater unattended when hot or in use. Keep out of reach from children.
15. Certain materials or items, when stored under the heater, will be subject to radiant heat and could be seriously damaged.
16. Replace any guard or protective device removed for servicing the appliance prior to use.
17. Installation and repair should be done by a qualified service person. The heater should be inspected before use annually by a qualified service person. More frequent cleaning may be required as necessary. It is imperative that the control compartment, burners, and circulating air passageway of the appliance be kept clean.
18. Keep all connections and fittings clean. Make sure propane cylinder valve outlet is clean.
19. During set up, check all connections and fittings for leaks using soapy water. Never use a flame.
20. Use as a heating appliance only. Never alter in any way or use with any device.

COMPONENTS



Reflector (A)



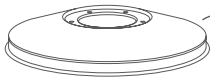
Burner (B)



Wire Guard (C)



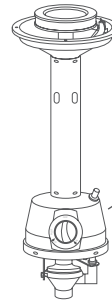
Housing Cover (D)



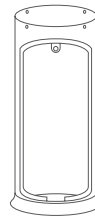
Base (E)



Base Weight (F)



Burner Assembly (G)



Cylinder Housing (H)

COMPONENTS

Parts are to scale for visual reference.

1



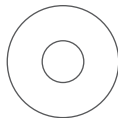
Cap Nut
(Qty: 3)

2



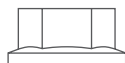
Reflector
Spacer
(Qty: 3)

3



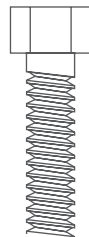
Washer
(Qty: 6)

4



Flange
Nut
(Qty: 3)

5



M6 x 20
Bolt
(Qty: 4)

6



3/16 in
Stainless
Screw
(Qty: 8)

7



Wrench
(Not to
scale)

SETUP & INSTALLATION

Recommended Tools

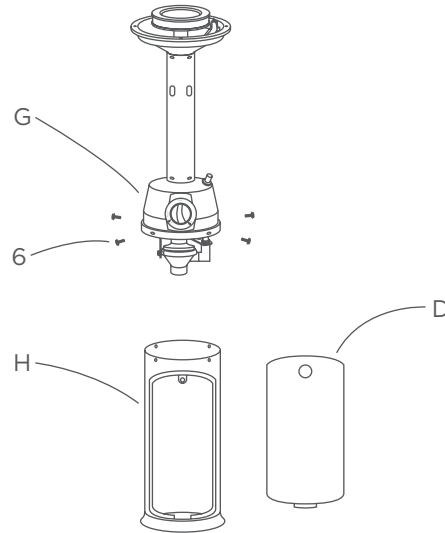
Phillips Screw Driver

Soapy Water (one part dish soap and three parts water)

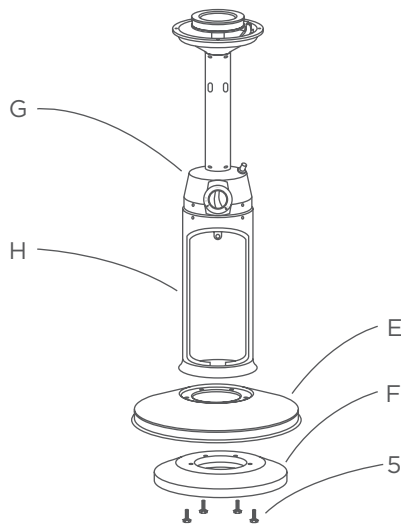
Assembly

Before beginning assembly of product, make sure all parts are present. Compare parts with components section. If any part is missing or damaged, do not attempt to assemble the product. Contact customer service for replacement parts.

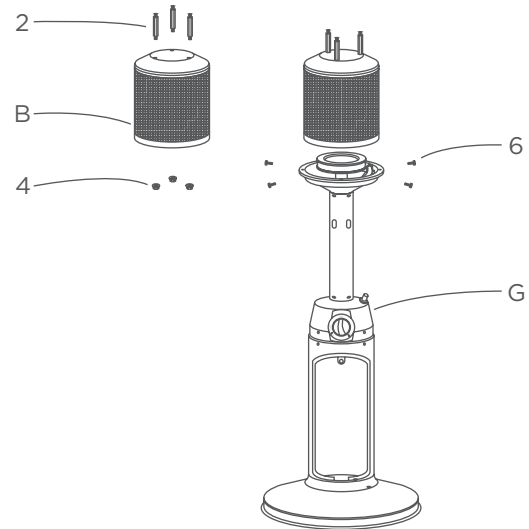
For better access, start by removing the housing cover (D) from the housing (H) itself. Attach post with burner assembly (G) onto heater housing (H), using four 3/16 in stainless screws (6). Make sure that the control knob on the burner assembly (G) is on the same side as the opening for the housing (H).



SETUP & INSTALLATION

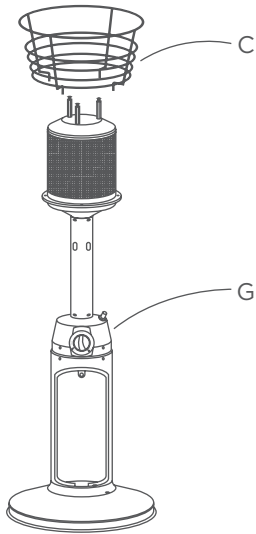


Place ring weight (F) under the base (E), using four M6 x 20 bolts (5) attach both the base weight (F) and the base (E) to the housing (H).

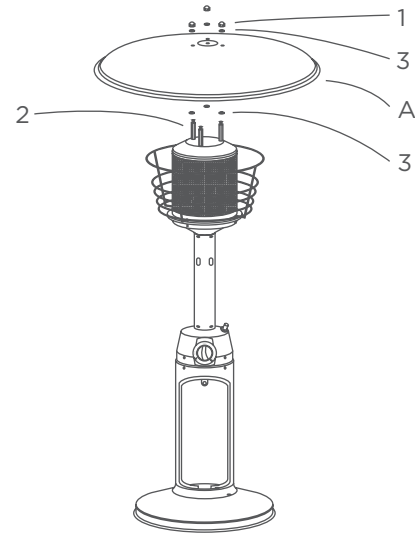


Put three reflector spacers (2) into the holes on the top of the burner (B). Use three flange nuts (4) inside the burner to hold the reflector spacers (2) on. Attach burner (B) to burner assembly (G) using four 3/16 in Stainless Screw (6).

SETUP & INSTALLATION

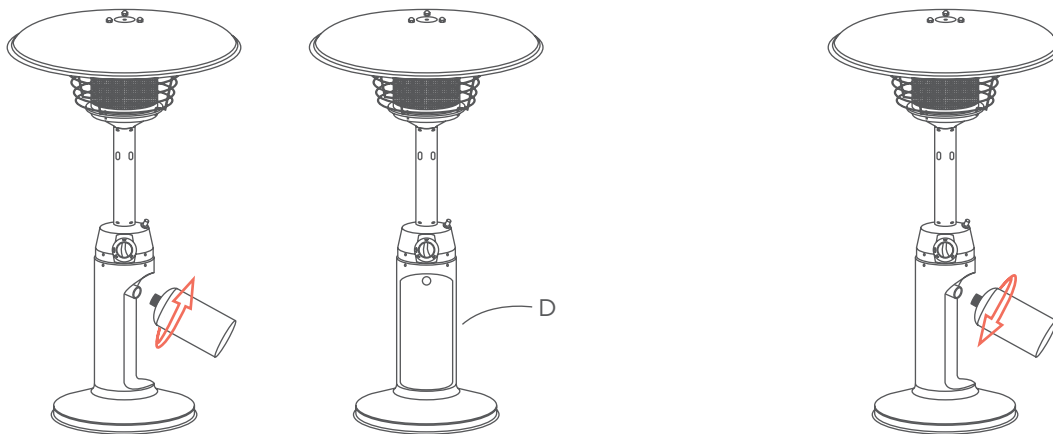


Insert ends of wire guard (C) into holes in the burner assembly (G).



Put washers (3) on top of the reflector spacer (2). Place reflector (A) on top of the reflector spacers (2) and secure with three washers (3) and cap nuts (1).

SETUP & INSTALLATION



Inside the housing (H) find the steel threaded propane fitting and remove the black cap. Attach propane tank by rotating clockwise until it is sealed to the fitting and place housing cover (D) on the unit.

Disconnect the cylinder when the appliance is not in use.

Only use a standard 1 lb propane cylinder that is approximately 9.8 cm (3.9 in) in diameter and 20 cm (7.9 in) high.

SETUP & INSTALLATION

Tank Specification

Only use a cylinder marked for propane.

A dented, rusted or damaged propane cylinder may be hazardous and should be checked by your cylinder supplier.

Never use a propane cylinder with a damaged valve connection. The propane cylinder must be constructed and marked in accordance with the specifications for LP gas cylinders of the U.S. Department of Transportation (DOT) or with the Standard for Cylinders, Spheres and Tubes for Transportation of Dangerous Goods and Commission, CAN/CSA-B339. The propane cylinder must include a listed overfilling prevention device. The propane cylinder must include a cylinder connection device compatible with the connection for the appliance.

The cylinder used must include a collar to protect the cylinder valve.

Never connect an unregulated propane cylinder to the heater.

The installation must conform with local codes, or in the absence of local codes, with National Fuel Gas Code, ANS Z223.1/NFPA54, Natural Gas and Propane Installation Code, CSA B149.1, or Propane Storage and Handling Code, B149.2.

Use the pressure regulator supplied with the appliance.

You may store the appliance indoors only if the cylinder is disconnected and removed from the appliance. A cylinder must be stored outdoors in a well-ventilated area out of reach of children.

A disconnected cylinder must have a dust cap tightly installed and must not be stored in a building, garage or any other enclosed area.

The maximum inlet gas supply pressure:
150 psi (1034 kPa).

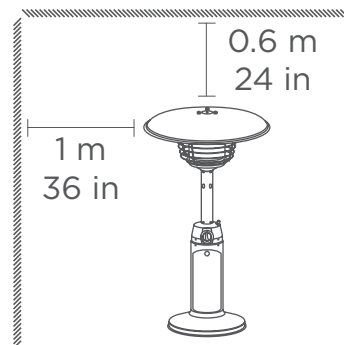
The minimum inlet gas supply pressure:
5 psi (35kPa).

Manifold pressure with regulator provided:
11 wc / 2.74 kPa. The minimum hourly of
4000 BTU (1.2 kW) is required input rating for an
appliance for automatic operation at ratings less
than full input rating.

SETUP & INSTALLATION

Portable Heater Location

- This portable heater is intended for outdoor use only. Always ensure adequate fresh air ventilation.
- Always maintain proper clearance to combustible materials: a minimum of 24 in from the top and 36 in from the sides.
- Place the heater on a strong and stable surface.
- Never operate the heater in an area where gasoline or other flammable liquids or vapors are stored.



Before Turning Gas Supply On

- Your heater was designed and approved for outdoor use only. DO NOT use it inside a building, garage, or any other enclosed area.
- Make sure surrounding areas are free of combustible materials, gasoline, and other flammable vapours or liquids.
- Ensure that there is no obstruction to air ventilation. Be sure all gas connections are tight and there are no leaks.
- Be sure the cylinder cover is clear of debris. Be sure any component removed during assembly or servicing is replaced and fastened prior to starting.

Before Lighting

- Heater should be thoroughly inspected before each use by a qualified service person at least annually. If relighting a hot heater, always wait at least 5 min.
- Inspect the visible portion of the hose before each use of the appliance. If the hose leaks, it must be replaced prior to operation. Only use the replacement hose assembly specified by manufacturer.
- The pressure regulator and hose assembly supplied with the appliance must be used. Replacement pressure regulators and hose assemblies must be those specified by the appliance manufacturer.

SETUP & INSTALLATION

Leak Test

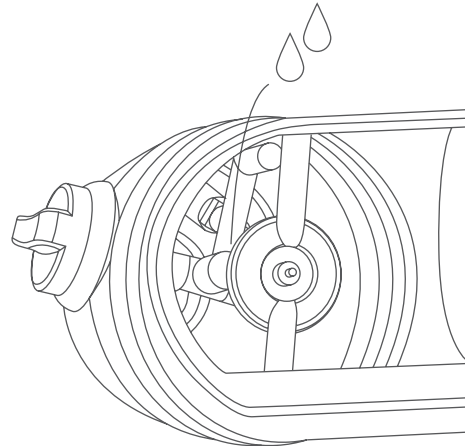
Whenever gas connections are loosened or removed, you must perform a complete leak test. Make sure that the leak test is done outside and that all connections are secure before beginning the test.

1. Make 60-90 mL (2-3 oz) of soapy water (one part dish soap and three parts water).
2. Make sure the patio heater and valves are off.
3. Apply solution where hose attaches to regulator.
4. Apply solution where regulator connects to cylinder.
5. Turn cylinder valve on.

If bubbles appear at any connection, there is a leak.

6. Turn cylinder valve off.
7. If leak is at hose/regulator connection: tighten connection and perform another leak test. If bubbles continue appearing, the hose should be returned to the place of purchase.
8. If leak is at regulator/cylinder valve connection: disconnect, reconnect, and perform another leak test. If you continue to see bubbles after several attempts, cylinder valve is defective and should be returned to cylinder's place of purchase.

If NO bubbles appear at any connection, they are secure.



OPERATION

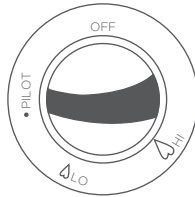
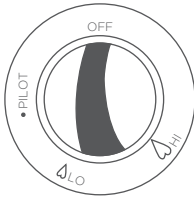


WARNING: Avoid inhaling fumes during first use. Smoke from the burning of oils used in manufacturing may appear. Smoke will dissipate after approximately 30 minutes. There should NOT be thick black smoke.

Lighting

Improper operation can cause injury or property damage. If burner fails to remain lit, all valves should be closed at least 5 min before attempting to light again.

1. Firmly press down and turn the variable control knob approximately 90° (counterclockwise) to the pilot position.
2. Hold down the variable control knob for 60 sec.
3. Holding down the variable control knob, press the igniter button several times until the pilot flame comes on. After lighting the pilot, wait 15 seconds for it to heat up before releasing the control knob. Only release the variable control knob after the pilot flame is on.
4. If the pilot does not light, repeat steps 2 to 3. Note: If a new tank is used, please allow at least one minute for the air in the gas pipeline to purge out through the pilot hole.
5. After the flame comes on, leave the variable control knob on “LO” for about 5 minutes, before setting the desired temperature.



After Use

Turn the heater to the off position. On the propane tank turn the valve clockwise to “OFF” and disconnect regulator from the tank. After use, some discolouration of the burner screen is normal. Before moving the unit, make sure that it has cooled down for at least 45 min to prevent burns or fire.

CLEANING & MAINTENANCE

To get the most from your heater, make sure you perform the following maintenance on a regular basis:

- Keep exterior surfaces clean by using warm soapy water for cleaning. Never use flammable or corrosive cleaning agents.
- Be sure to keep the area around the burner assembly dry at all times. Do not submerge the control valve assembly. If the gas control is submerged in water, do NOT use it. It must be replaced.
- Keep the appliance area clear and free from combustible materials, gasoline and other flammable vapours and liquids.
- Do not obstruct combustion and ventilation air flow.
- Keep the ventilation opening(s) of the cylinder enclosure free and clear of debris.
- Air flow must be unobstructed. Keep controls, burner, and circulating air passageways clean.

Storage and Transportation

- Turn control knob “OFF”.
- Disconnect propane tank and move to a secure, well-ventilated location outdoors.
- Store heater upright in an area sheltered from direct contact with inclement weather (such as rain, sleet, hail, snow, dust and debris).
- If desired, cover heater to protect exterior surfaces and to help prevent build-up in air passages. If using a cover, wait until heater is cool before covering.
- Never leave propane tank exposed to direct sunlight or excessive heat.

CLEANING & MAINTENANCE

Inspect the entire hose assembly at least annually, disassembling the reflector and burner. Inspect the hose assembly for evidence of excessive abrasion, cuts, or wear. Suspected areas should be leak tested. Issues that can be caused by not cleaning the device:

- Gas odour with extreme yellow tip of flames.
- Heater does NOT reach the desired temperature.
- Heater glow is excessively uneven.
- Heater makes popping noises.
- Spiders and insects can nest in burner or orifices. This dangerous condition can damage heater and render it unsafe for use. Clean burner holes by using a heavy-duty pipe cleaner. Compressed air may help clear away smaller particles.
- Carbon deposits may create a fire hazard. Clean dome and burner screen with warm soapy water if any carbon deposits develop.

TROUBLESHOOTING

PROBLEM	POSSIBLE CAUSE	CORRECTION
Burner will not light.	1. Propane cylinder is frosted over.	1. Wait until the propane cylinder warms up and is defrosted.
	2. Blockage in orifice.	2. Clear blockage.
	3. Control knob is not in ON position.	3. Turn control knob to ON.
Burner flame is low.	1. Gas pressure is low.	1. Turn cylinder valve OFF and replace cylinder.
	2. Outdoor temperature is less than 5 °C (40 °F) in conjunction with the tank being less than 1/4 full.	2. Use a full cylinder.
	3. Blockage in orifice.	3. Clear blockage.
Carbon build-up or thick black smoke.	1. Dirt or film on reflector and burner screen.	1. Clean reflector and burner screen.
	2. Blockage in burner.	2. Remove blockage and clean burner.



For further questions regarding the set up of your Briza heater or for troubleshooting tips please visit our website www.brizacomfort.com. You will find help for frequently asked questions in the FAQ section.

Recycling

At the end of the product life make sure to bring it into your local recycling facility or call your regional recycling authorities for instructions on how to properly dispose of the unit.

TECHNICAL INFORMATION

Power	11,000 BTU
Tank Size	1 lb
Dimensions	53x53x96 cm (21x21x38 in)

Propane tank not included

Batten Industries Inc.
114-2455 Dollarton Hwy.
North Vancouver, BC, V7H 0A2
Toll Free 1.888.984.7471
info@brizacomfort.com

brizacomfort.com

