

USER MANUAL

CONTENTS

- 3 Caution
- 4 Components & Operation
- 6 Setup & Installation
- 10 Cleaning & Maintenance
- 11 Troubleshooting
- 12 Technical Information

CAUTION



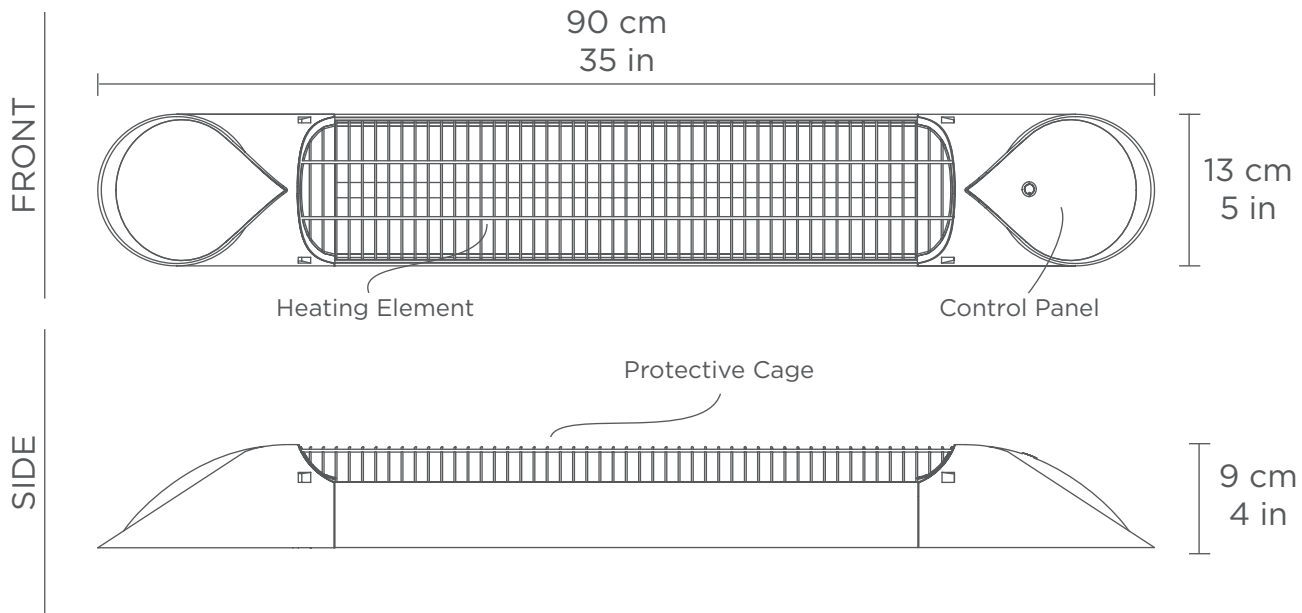
WARNING: These instructions should be read carefully and retained for future use, we cannot be liable for any damages caused by not following these instructions.

Important Safety Instructions

Installation, maintenance and operation of the heater can be dangerous. Observing the following procedures will reduce the risk of fire, electric shock or injury to a person and minimize installation time.

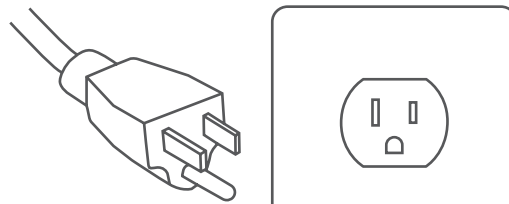
1. Remove the unit from its packaging and make sure it is in good condition before using.
2. Do not operate any heater with a damaged cord, plug, unit or if malfunctioning due to previous use or drop. Disconnect power if the supply cord is damaged in any way, contact our customer service.
3. Keep packaging away from children.
4. Check the household voltage to ensure it matches the heater's specification (120 V / 60 Hz).
5. This heater is hot when in use. To avoid burns, do not touch the surface. Keep combustible materials, such as furniture, pillows, bedding, paper, clothes, and curtains at least 1 m (39 in) from the front of the heater and keep them away from the sides and rear.
6. Do not use near or in the immediate vicinity of a bath, swimming pool or any other body of water.
7. Do not immerse cord or plug in any liquids.
8. Keep the air inlets and outlets clean and free of dirt or dust accumulation or anything that may cause blockage.
9. Always unplug the heater when not in use.
10. Connect to properly grounded outlets only.
11. Always plug the heater directly into a wall outlet. Never use with an extension cord or power strip.
12. Do not allow cord to hang over a counter top where it may be easily pulled.
13. Do not put fingers or foreign objects into the grill while in operation.
14. This unit is only intended to be used by capable adults.
15. Do not cover cord with carpets, rugs, runners or similar items. Do not route cord under furniture or appliances. Arrange cord away from high traffic areas and where it will not be tripped on.
16. To disconnect the heater, turn controls to off, then remove plug from outlet.
17. The heater has hot, arcing and sparking parts inside. Do not use it in areas where gasoline, paint or flammable liquids are used or stored.

COMPONENTS & OPERATION



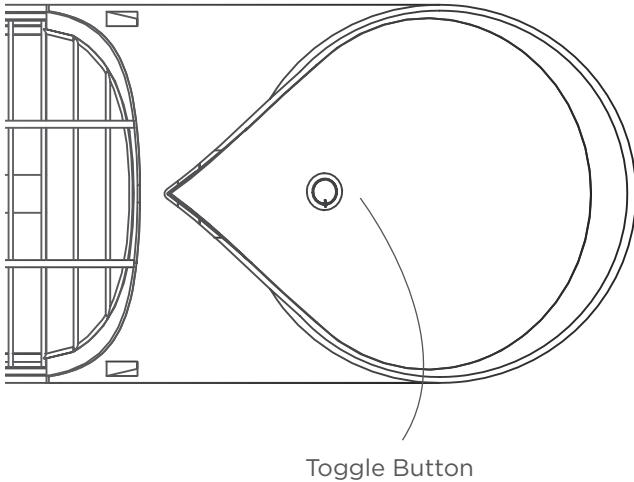
Plug

The unit must be plugged into a 3 pin properly grounded outlet for proper and safe use.

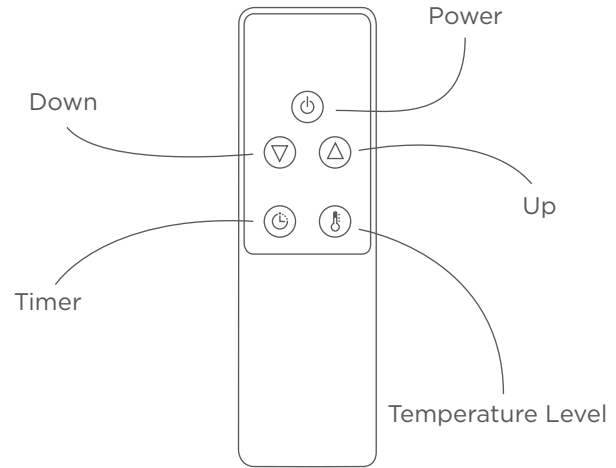


COMPONENTS & OPERATION

CONTROL PANEL



REMOTE CONTROL



Unit Function:

1. When turned on, the unit defaults to standby mode (--- ---).
2. Press the toggle button to cycle through functions (L1 - L2 - L3 - standby - off).

Button	Function
Power	Turn Heater ON and OFF
Down	Decrease temperature or time
Up	Increase temperature or time
Temperature Level	Set temperature level (L1 - L3)
Timer	Set timer in hours (T0 - T9)

SETUP & INSTALLATION

Recommended Tools

*Pencil

*Hammer

*Level

*Screw Driver

*Power Drill and Drill Bits

*13 mm Wrench

Installation

- This heater should be installed by an experienced person.
- Always disconnect the heater from the outlet and allow it to cool before installation.
- For ceiling mounting, there must be at least 2.4 m (8 ft) distance from the heater to the ground.
- The heater should always have a minimum clearance of 0.5 m (20 in) from adjacent walls and other surrounding objects.
- Keep the front of the unit at least 1 m (39 in) away from people, pets, and other objects.
- When mounting to a ceiling, the unit must be positioned 45° - 90° relative to the wall.
- Keep the power cord away from the body of the heater which will get hot during use.
- Do not install the heater on a flammable surface.
- Keep 1 m (39 in) distance between the heater body and flammable surfaces when mounted.
- If the heater is to be used outside, a weatherproof outlet is recommended.
- Before drilling ensure that there are no wires or water pipes in the area where the heater is being installed.
- Fasten the brackets securely to the mounting surface and the backside of the heater using the nuts and screws supplied.
- The brackets can be used to adjust the direction of the heater. Adjust the heater angle by loosening the two bolts on the wall mounting bracket. Tighten the bolts again when the desired angle is reached.

Remote Setup

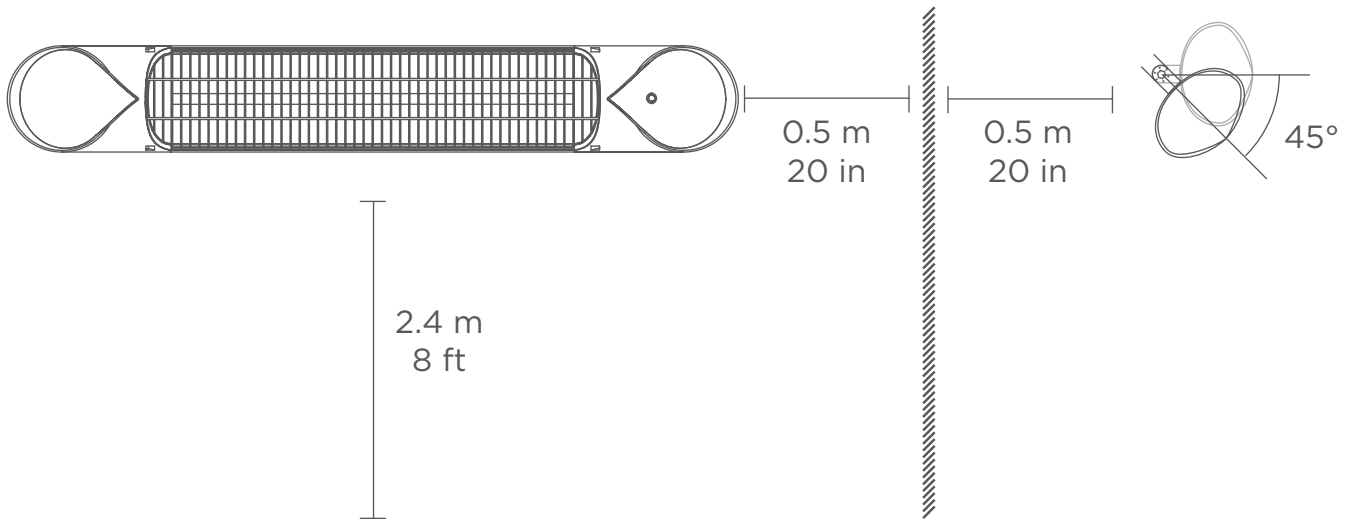
Flip the backside of your remote control and pull off the battery cover. Insert 2 AAA Alkaline batteries positioned as depicted inside.

NOTE

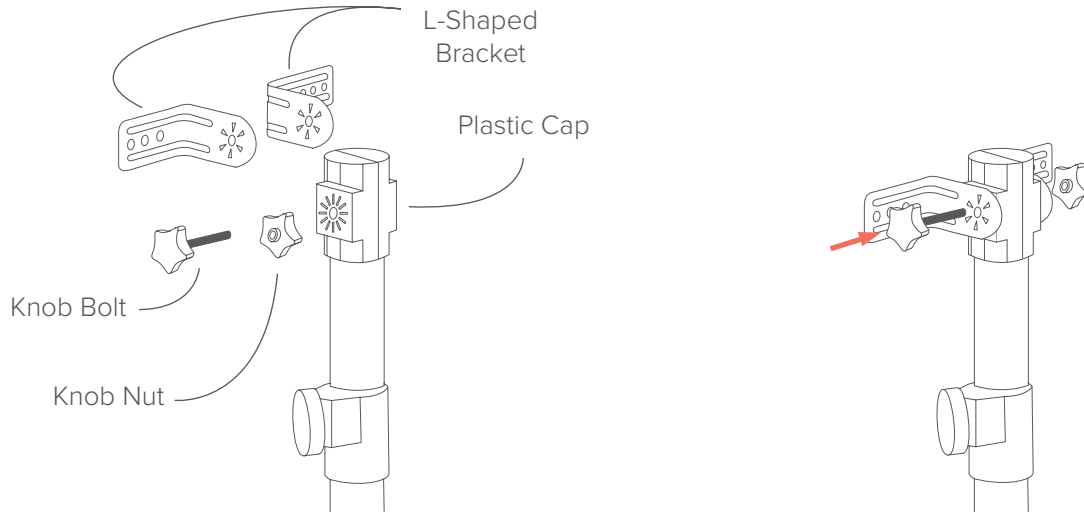
Remove batteries when not in use for long periods of time to prevent leakage which may damage the remote. Do not allow liquid to get into the remote control.

SETUP & INSTALLATION

! **IMPORTANT:** The appliance must be installed on solid surfaces like concrete, wood or metal. Ensure that the supply cable does not come into contact with the reflector nor trail into heated areas. The supply cable can be fixed to the metal mounting bracket behind the heater with plastic zip ties.



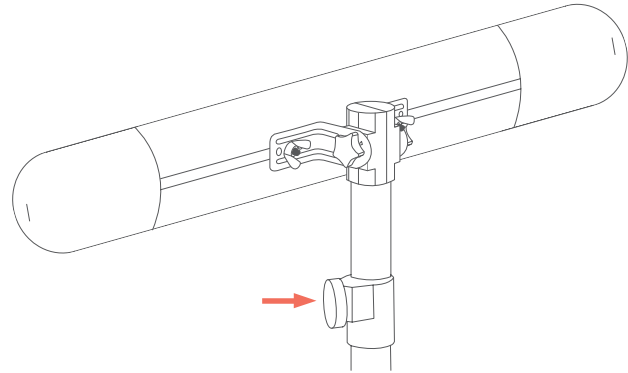
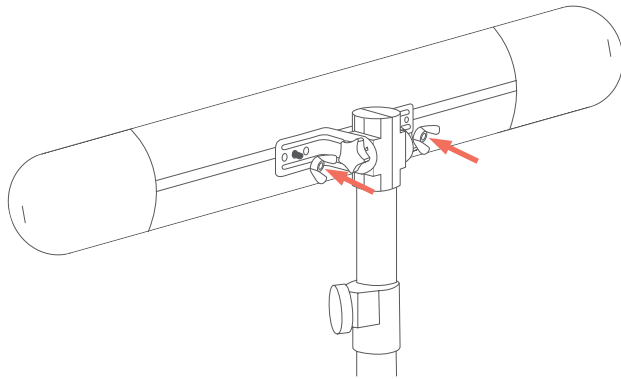
SETUP & INSTALLATION



Stand Setup

- Place L-shaped brackets on the plastic cap at the top of the stand.
- Make sure that the side with one hole is being placed on the stand (the side with 3 holes will be used for the heater unit).
- Feed the knob bolt through the L-shaped bracket, the plastic cap on the stand and the L-shaped bracket on the other side.
- Secure the knob bolt with the similarly shaped knob nut.
- Set the desired angle before fully tightening both sides of the knob bolt and nut at the same time.

SETUP & INSTALLATION



- Hold the heater unit up against the L-shaped bracket making sure that the threads are matched up with one of the L-shaped bracket holes.
- Secure the heater to the L-shaped brackets with the two wing nuts provided with the heater unit.
- Be sure that both wing nuts are fully secure.
- Hold the heater unit in place and loosen the knob bolt on the stand.
- Raise the unit to the desired height and tighten the knob bolt until it is securely holding the unit in place.
- Put the silver pin through the lowest hole on the upper portion of the stand to prevent the unit from falling.

Wall Mount Setup

- The person mounting the unit must be experienced. Mounting the heater incorrectly can be dangerous and we are not liable for any damaged caused by improper use of the components.
- The unit comes with two bolts, two nuts, four L-brackets, four screws, and four anchors.
- Visit www.brizacomfort.com/faq for more information.

CLEANING & MAINTENANCE



IMPORTANT: Always disconnect the heater from the outlet and allow it to cool before attempting to work on it.

1. Do not touch the heating element with bare fingers, as residue from your hand could affect the life of the lamp. Do not attempt to repair or adjust any electrical or mechanical functions on the heater.
2. The heater does not contain user serviceable parts. Should the product be damaged or breakdown, contact our customer service.
3. Damaged supply cords must be replaced by the manufacturer.

Cleaning

Unplug the power cord and make sure the heater is cool before continuing. Clean the outer shell with a soft, damp cloth. You may use a mild detergent if necessary. After cleaning, dry the unit with a soft cloth. DO NOT use alcohol, gasoline, abrasive powders, furniture polish or rough brushes to clean the heater. In case someone accidentally touches the heating filament, use rubbing alcohol to wipe the filament and make sure that the alcohol is fully evaporated before turning on. DO NOT immerse the heater in water. Wait until the heater is completely dry before use.

NOTE

When not in use store the heater in a cool, dry location to prevent dust and dirt build up. Use packaging carton to store.

Maintenance

Check the reflector and filament at least once a month. Inspect more frequently in dusty environments. Visually inspect any deformation of the reflector, wire and frame.

TROUBLESHOOTING

PROBLEM	POSSIBLE CAUSE	CORRECTION
Unit will not turn on.	<ol style="list-style-type: none"> 1. Unit is upside down or tilted in a way that the safety shut off is engaged. 2. Unit may not be properly plugged in. 	<ol style="list-style-type: none"> 1. Make sure that the unit is leveled. 2. Check the plug to make sure the unit is properly plugged in and the wire is intact.
Undesirable odor.	<ol style="list-style-type: none"> 1. There may be something on the heating tube or reflector. 	<ol style="list-style-type: none"> 1. Follow the cleaning instructions on page 10.
Display showing E2.	<ol style="list-style-type: none"> 1. The safety shutdown is triggered. 	<ol style="list-style-type: none"> 1. Make sure that the unit is not mounted upside down (when looking at the front of the unit, the toggle button and screen should be on the right side) or slanted then click the toggle button.
Remote is not working.	<ol style="list-style-type: none"> 1. Remote control batteries have run out. 2. Unit's receiver needs to be reset. 	<ol style="list-style-type: none"> 1. Replace batteries (CR2025). 2. Unplug the unit and then plug back into the socket. Press the toggle button situated on the right-hand side of the heater.



For further questions regarding the set up of your Briza heater or for troubleshooting tips please visit our website www.brizacomfort.com. You will find help for frequently asked questions in the FAQ section.

Recycling

At the end of the product life make sure to bring it into your local recycling facility or call your regional recycling authorities for instructions on how to properly dispose of the unit.

TECHNICAL INFORMATION

Input Electricity	120 V / 60 Hz
Power	1500 W
Overall Dimension	90x13x9 cm (35 x 5 x 4 in)
Weight	2.9 kg (6.4 lb)
IP Rating	IP55

Stand & Remote Control Included

Batten Industries Inc.
114-2455 Dollarton Hwy.
North Vancouver, BC, V7H 0A2
Toll Free 1.888.984.7471
info@brizacomfort.com

brizacomfort.com

