

USER MANUAL

CONTENTS

- 3 Caution
- 4 Components & Operation
- 6 Setup & Installation
- 8 Cleaning & Maintenance
- 9 Troubleshooting
- 10 Technical Information

CAUTION



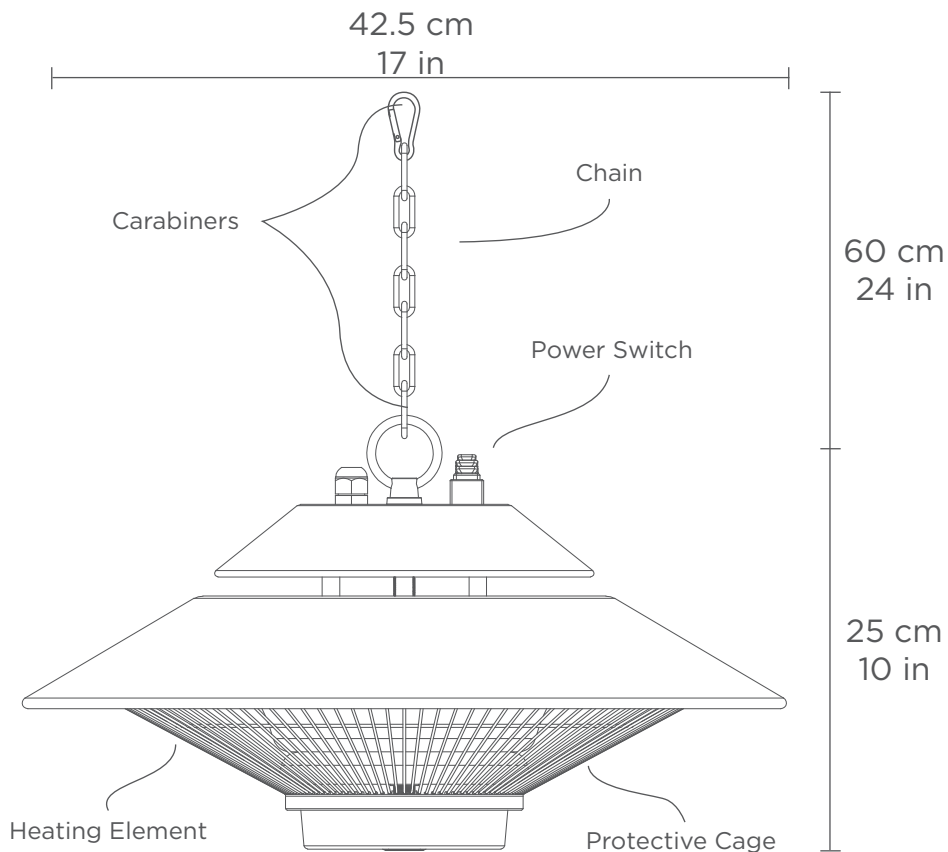
WARNING: These instructions should be read carefully and retained for future use, we cannot be liable for any damages caused by not following these instructions.

Important Safety Instructions

Installation, maintenance and operation of the heater can be dangerous. Observing the following procedures will reduce the risk of fire, electric shock or injury to a person and minimize installation time.

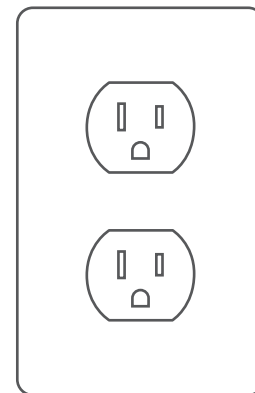
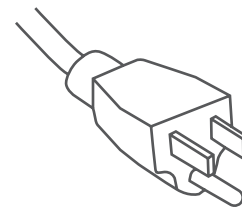
1. Remove the unit from its packaging and make sure it is in good condition before using.
2. Do not operate any heater with a damaged cord, plug, unit or if malfunctioning due to previous use or drop. Disconnect power if the supply cord is damaged in any way, contact our customer service.
3. Keep packaging away from children.
4. Check the household voltage to ensure it matches the heater's specification (120 V / 60 Hz).
5. This heater is hot when in use. To avoid burns, do not touch the surface. Keep combustible materials, such as furniture, pillows, bedding, paper, clothes, and curtains at least 1 m (39 in) from the front of the heater and keep them away from the sides and rear.
6. Do not use near or in the immediate vicinity of a bath, swimming pool or any other body of water.
7. Do not immerse cord or plug in any liquids.
8. Keep the air inlets and outlets clean and free of dirt or dust accumulation or anything that may cause blockage.
9. Always unplug the heater when not in use.
10. Connect to properly grounded outlets only.
11. Always plug the heater directly into a wall outlet. Never use with an extension cord or power strip.
12. Do not allow cord to hang over a counter top where it may be easily pulled.
13. Do not put fingers or foreign objects into the grill while in operation.
14. This unit is only intended to be used by capable adults.
15. Do not cover cord with carpets, rugs, runners or similar items. Do not route cord under furniture or appliances. Arrange cord away from high traffic areas and where it will not be hit.
16. To disconnect the heater, turn controls to off, then remove plug from outlet.
17. The heater has hot, arcing and sparking parts inside. Do not use it in areas where gasoline, paint or flammable liquids are used or stored.

COMPONENTS & OPERATION



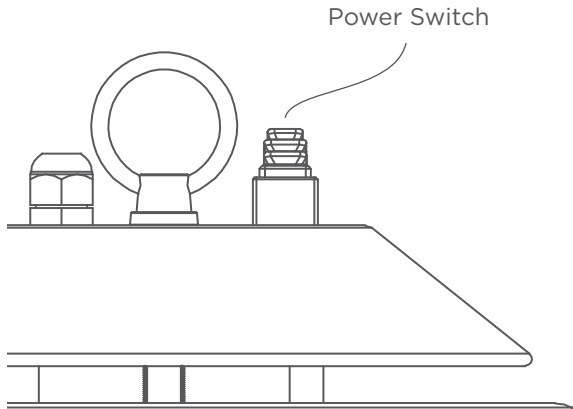
Plug

The unit must be plugged into a 3 pin properly grounded outlet for proper and safe use.

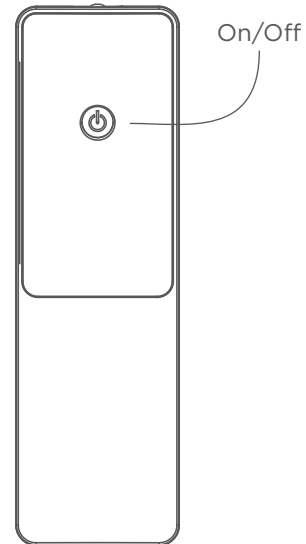


COMPONENTS & OPERATION

CONTROL PANEL



REMOTE CONTROL



NOTE

Power switch must be on in order to control the unit with the remote. Make sure the power switch on top of the unit is lit before using the remote.

SETUP & INSTALLATION

Recommended Tools

*Screw Driver

*Power Drill and Drill Bits

Installation

- This heater should be installed by an experienced person.
- Always disconnect the heater from the outlet and allow it to cool before installation.
- The heater should always have a minimum clearance of 0.5 m (20 in) from adjacent walls and other surrounding objects.
- Keep the front of the unit at least 1 m (39 in) away from people, pets, and other objects.
- Keep the power cord away from the body of the heater which will get hot during use.
- Do not install the heater on a flammable surface.
- Keep 1 m (39 in) distance between the heater body and the flammable surfaces when mounted.
- If the heater is to be used outside, a weatherproof outlet is recommended.
- Before drilling ensure that there are no wires or water pipes in the area where the heater is being installed.

Remote Setup

Flip the backside of your remote control and pull off the battery cover. Insert 2 AAA Alkaline batteries positioned as depicted inside.

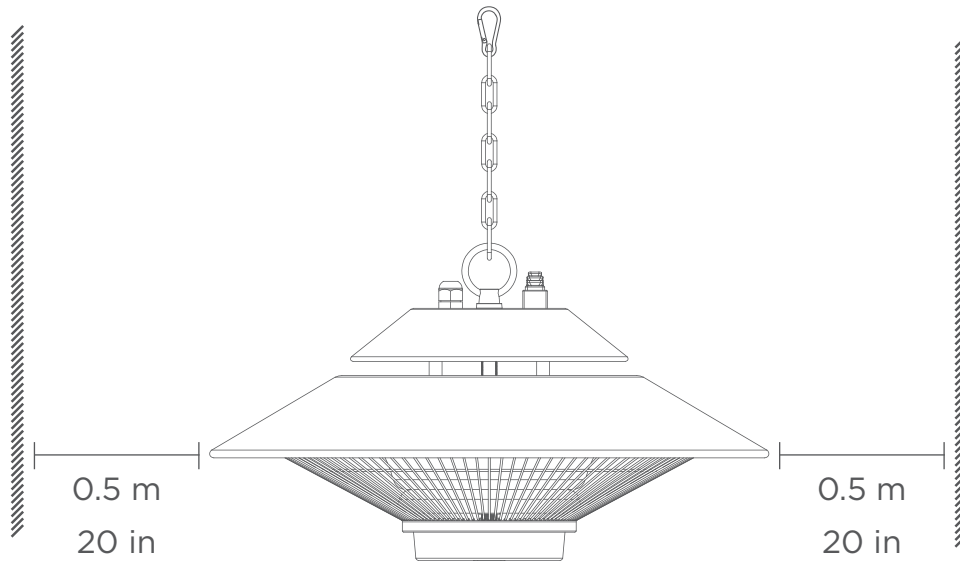
NOTE

Remove batteries when not in use for long periods of time to prevent leakage which may damage the remote. Do not allow liquid to get into the remote control.

SETUP & INSTALLATION



IMPORTANT: The appliance must be anchored on solid surfaces like concrete, wood or metal. Ensure that the supply cable does not come into contact with the reflector nor trail into heated areas. The supply cable can be fixed to the top carabiner to prevent the cable from touching hot parts of the unit.



CLEANING & MAINTENANCE



IMPORTANT: Always disconnect the heater from the outlet and allow it to cool before attempting to work on it.

1. Do not touch the heating element with bare fingers, as residue from your hand could affect the life of the lamp. Do not attempt to repair or adjust any electrical or mechanical functions on the heater.
2. The heater does not contain user serviceable parts. Should the product be damaged or breakdown, contact our customer service.
3. Damaged supply cords must be replaced by the manufacturer.

Cleaning

Unplug the power cord and make sure the heater is cool before continuing. Clean the outer shell with a soft, damp cloth. You may use a mild detergent if necessary. After cleaning, dry the unit with a soft cloth. DO NOT use alcohol, gasoline, abrasive powders, furniture polish or rough brushes to clean the heater. In case someone accidentally touches the heating filament, use rubbing alcohol to wipe the filament and make sure that the alcohol is fully evaporated before turning on. DO NOT immerse the heater in water. Wait until the heater is completely dry before use.

NOTE

When not in use store the heater in a cool, dry location to prevent dust and dirt build up. Use packaging carton to store.

Maintenance

Check the reflector and filament at least once a month. Inspect more frequently in dusty environments. Visually inspect any deformation of the reflector, wire and frame.

TROUBLESHOOTING

PROBLEM	POSSIBLE CAUSE	CORRECTION
Unit will not turn on.	<ol style="list-style-type: none">1. Unit may not be properly plugged in.2. The power switch on top of the unit is off.	<ol style="list-style-type: none">1. Check the plug to make sure the unit is properly plugged in and the wire is intact.2. Turn on the power switch on top of the unit must be switched on before using the remote.
Undesirable odor.	<ol style="list-style-type: none">1. There may be something on the heating tube or reflector.	<ol style="list-style-type: none">1. Follow the cleaning instructions on page 8.



For further questions regarding the set up of your Briza heater or for troubleshooting tips please visit our website www.brizacomfort.com. You will find help for frequently asked questions in the FAQ section.

Recycling

At the end of the product life make sure to bring it into your local recycling facility or call your regional recycling authorities for instructions on how to properly dispose of the unit.

TECHNICAL INFORMATION

Input Electricity	120 V / 60 Hz
Power	1500 W
Unit Dimension	42.5x42.5x25 cm 17x17x10 in
Hanging Dimensions	42.5x42.5x85 cm 17x17x34 in
Weight	2.2 kg 5 lb
IP Rating	IP44

Remote Control Included



Batten Industries Inc.
114-2455 Dollarton Hwy.
North Vancouver, BC, V7H 0A2
Toll Free 1.888.984.7471
info@brizacomfort.com

brizacomfort.com