

# magnum

## *Cosmopolitan*



**PLEASE READ ME FIRST**

[www.magnumbikes.com](http://www.magnumbikes.com)

## INCLUDED PARTS



Charger



Allen Wrench



Screwdriver



wrench

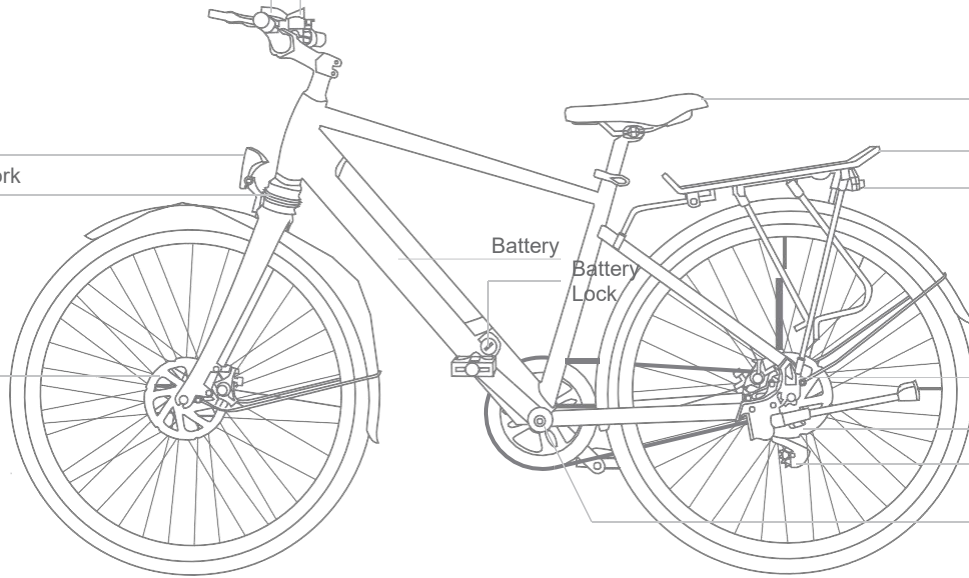
Shifter

display

Front Light

Single suspension fork

Front disc brake



Saddle

Rear Rack

Brake Light

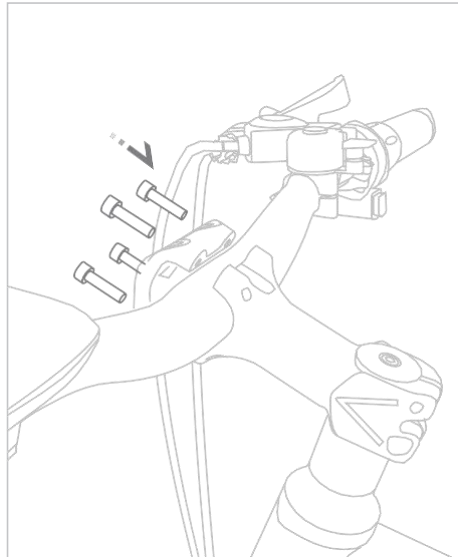
Motor

Rear Disc Brake

dearailleur

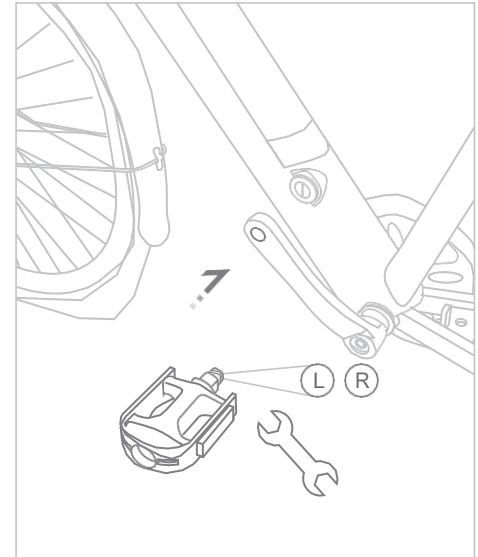
Pedal Assist Sensor

# Assembling



STEP 1. assemble the handle bar & stem

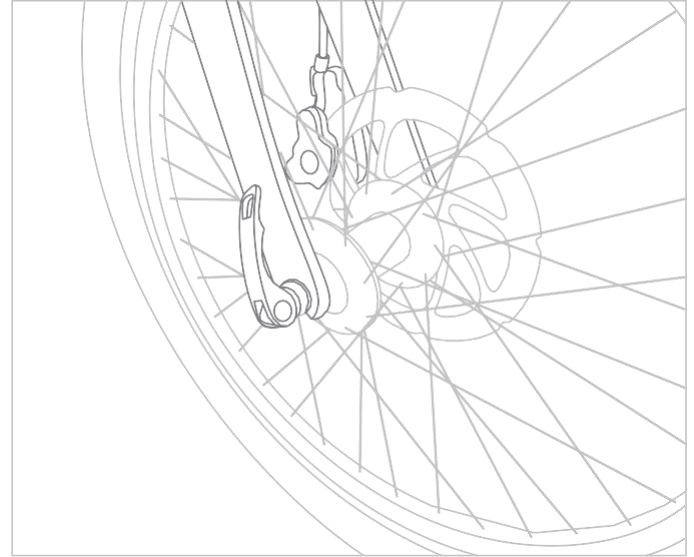
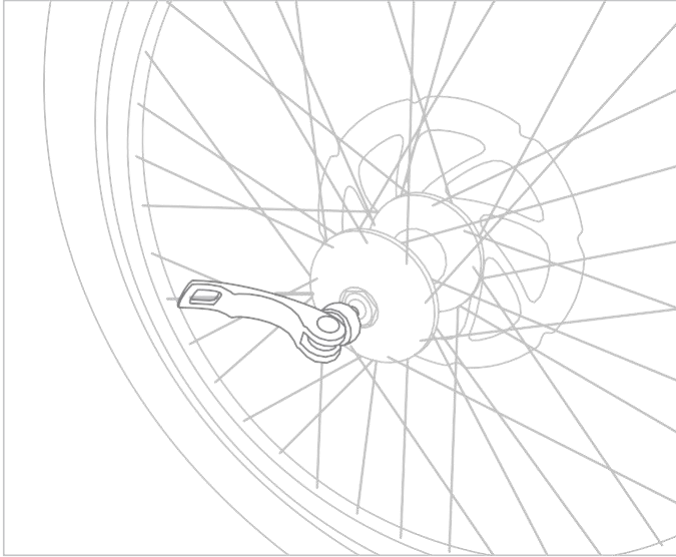
- ① unfasten the stem screw and remove piece shown above
- ② Put the handle bar on and adjust the position & angle then tighten the screws back in.



STEP 2. assemble the pedals

Get the pedal and tools from the box.  
There is L & R on the pedal connection,  
use the wrench to attach the pedals.

## Assembling



### STEP 3. assemble the front wheel

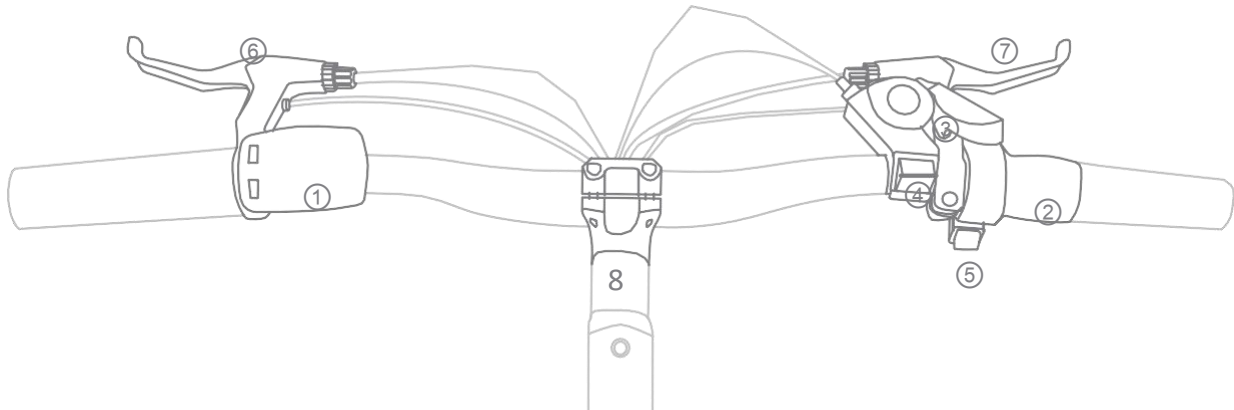
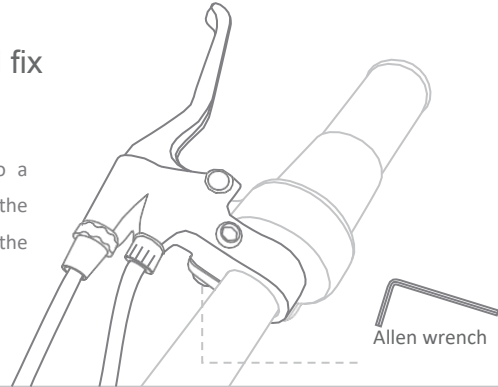
Unfasten the quick release, one person should lift the frame while another holds the front wheel and places it between the fork on the quick release axel and fasten.

## Components

- ① LCD display
- ② Twist throttle
- ③ Shifter
- ④ Gear back button
- ⑤ Throttle on/off
- ⑥ Left brake lever
- ⑦ Right brake lever
- ⑧ Stem



### Brake lever adjust and fix

Adjust the brake lever angle to a comfortable position, then use the allen wrench to fasten and fix the bottom of the brake lever.



## DISPLAY INSTRUCTIONS



- **Power ON/OFF**  
Long click  3 seconds to power on/off. If battery power is too far drained it will go into hibernation, please recharge it.
- **Lights ON/OFF**  
Short click  to turn on/off the F/R lights. When lighting indicator is lit on display F/R lights begin to work.
- Short click M button to choose level of pedal assist.

## REMOVING THE BATTERY

- ① Turn the key clockwise to unlock
- ② Lift the bottom of the battery out first

## INSERTING THE BATTERY

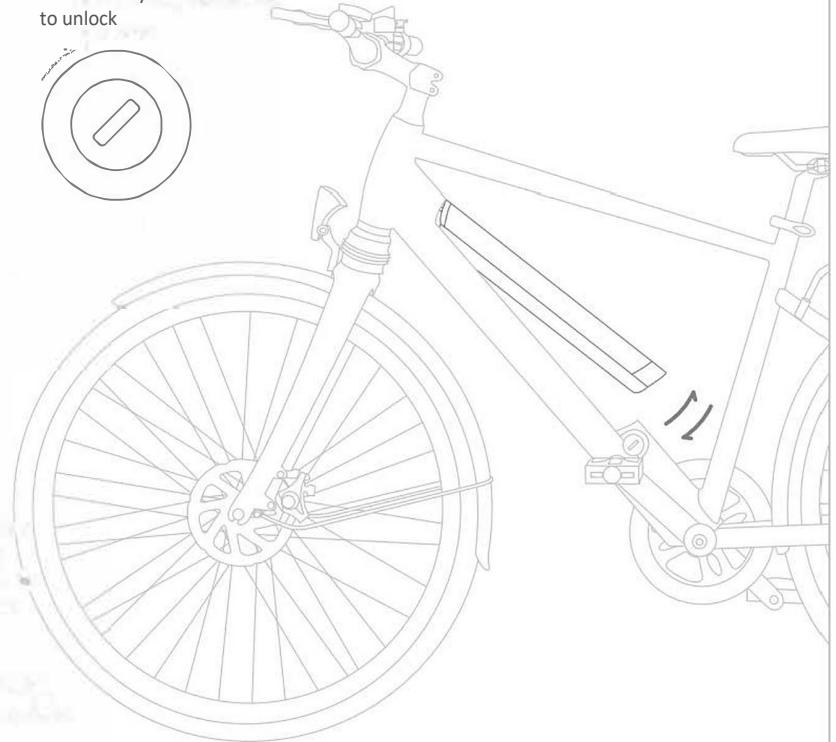
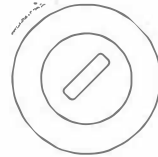
Put the top part of the battery into the frame first then fit the entire battery into the frame and turn the key in the counterclockwise direction to lock it in place.

**Waterproof instructions:** The battery casing protects from basic rain while inserted and riding. Do not leave the whole e-bike in rain for a long time. After exposure to light rain wipe battery dry as soon as possible. **DO NOT** submerge the battery or allow heavy rain exposure.

## BATTERY LIGHT

-When you press the battery button if the light turns green it is charged, if it is blue the battery is partially charged, if it is red it is close to no power.

Turn the key clockwise to unlock



## ELECTRONIC DETAILS

Motor Type:

Rear Geared Hub Motor

Motor Output:

36v 350w

Battery Voltage / Amp Hours / Watt Hours:

36v / 10ah /360wh

Battery Chemistry:

Lithium Nickel Cobalt Manganese (Li-ncm)

Estimated Charge Time:

4 Hrs

Estimated Min And Max Range:

20-35 Miles (Depending On Riding Style, Terrain, Rider Weight, and Pedal Assist Level.)

Display Type:

LCD Display

Display Readouts:

Battery Level (4 Bars), Speed, Assist Level (0-3), Odometer, Trip Distance

Drive Modes:

Pedal Assist, Twist Throttle

Top Speed:

18mph

Lights:

Integrated Front and Rear Light controlled by the display (power on/off)

## BICYCLE DETAILS

Total Weight:

50lbs

Battery Weight:

7lbs

Frame Type:

Low Step

Fork Details:

ZOOM Magnesium Alloy Single Suspension Fork

Gearing Details:

Shimano Tourney TZ Derailleur 6 Speed

Shifter Details:

Shimano 6 Speed

Crank:

Prowheel-E44P

Pedals:

Wellgo City Style

Stem:

Promax 31.8mm

Brake Details:

Z-Star mechanical brake lever with power cut

Saddle:

VELO saddle

Grips:

Firm faux leather with rubber end caps

Seatpost:

Rigid

Fenders:

Aluminum Alloy front and rear fenders

Rack:

Rear carrier rack

Rims:

Prowheel double-wall, 700c x 38c-40c

Tires:

Innova 700c x 40c



## PRECAUTIONS

1. Do not park ebike in building entrance halls, evacuation stairs, walkways and safety exits.
2. When adjusting the handlebar or saddle, be careful not to expose the safety line marks of the stem and saddle tube.
3. After riding, please put the ebike in a cool and dry environment, avoid sunlight or rain.
4. Park the ebike indoors to avoid unnecessary losses.
5. Please remove the battery box when the bike is not in use for a long time, charge every month.
6. Before cleaning the ebike, please turn off the power and unplug the charging cable.
7. Strictly forbidden to directly flush the ebike or soak it with a high-pressure water gun or water pipe, and strictly prohibited water pouring washing.
8. Wipe the ebike body with a soft cloth moistened with a little water
9. Do not ride in the rain for an extended amount of time and do not ride in heavy rain.
10. Check the chain and freewheel lubrication frequently and add chain lubricant regularly.
11. Regularly check the various screws of the car and the places that need to be tightened, and tighten in time.
12. Regularly check the disc brake pads, tires and other wearing parts.

## BATTERY CHARGING AND MAINTENANCE

1. Charge it at 0 °C ~ 40 °C, discharge at -20 °C ~ 50 °C, keep the battery dry and ventilated.
2. When there is only one battery power indicator or the meter displays only one bar charge the battery. Running the battery completely out of power will seriously affect the performance and life of the battery.
3. Keep away from combustible materials when charging.
4. When charging, plug the battery first, then the home power; after full charged, cut off the home power first, then pull out the battery plug.
5. Please use the original charger, pay attention to the battery type and voltage applicable to the charger, and it is strictly prohibited to mix.
6. During charging, the charger lights up red, and turns to green when fully charged. Please unplug the charging head in time when the battery is full.
7. After charging, please plug the rubber plug of the charging port back, otherwise it will affect the rainproof effect and cause battery damage.
8. When the battery is not used for a long time, remove it and charge it at least once a month.
9. Strictly forbidden to put the battery in acidic or alkaline liquid, try to avoid rain, keep away from fire, heat and high temperature.
10. Strictly forbidden to destroy or disassemble the battery. Do not insert metal objects into the charging port to avoid short circuit.
11. If the battery or charging is abnormally, please contact customer support.





## *Warranty*


Your MAGNUM E-bike comes with a limited warranty. Please visit [www.magnumbikes.com](http://www.magnumbikes.com) or your local magnum dealer for details.


Bike must be registered at [www.magnumbikes.com/warranty](http://www.magnumbikes.com/warranty) in order to be covered by the one year warranty.


## *Stay Connected*

 @magnumbikes

 @magnumbikes

 [www.magnumbikes.com](http://www.magnumbikes.com)

 [info@magnumbikes.com](mailto:info@magnumbikes.com)

 323-375-2666