

# TOWER FAN

PE-TF023

**User Manual**

**Questions or Concerns?**

[support@parisrhone.com](mailto:support@parisrhone.com)

# THANK YOU

FOR BEING OUR CUSTOMER



Your purchase is truly appreciated!  
We hope you are over-the-moon with our product!

# CONTENTS

<b>IMPORTANT SAFETY INSTRUCTIONS</b>	03
<b>ASSEMBLING YOUR TOWER FAN</b>	06
<b>USING YOUR TOWER FAN</b>	09
<b>CLEANING AND MAINTENANCE</b>	14
<b>TROUBLESHOOTING</b>	16

# 01

## IMPORTANT SAFETY INSTRUCTIONS

---

Summon A Cool  
Breeze Into Your  
Space



## DANGER

BEFORE USING THIS APPLIANCE READ ALL INSTRUCTIONS AND CAUTIONARY MARKINGS IN YOUR USER MANUAL AND ON THE APPLIANCE

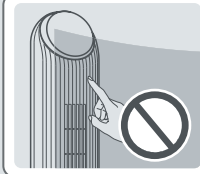
## READ AND SAVE THESE INSTRUCTIONS



**DO NOT** touch or hold the mains adapter with wet hands.



**DO NOT** block or cover air flow to or from the fan while in operation.



**DO NOT** insert fingers or objects through the grille while in operation.

## INTENDED USE

- This appliance is not intended for use by people (including children) with reduced physical, sensory or mental capabilities, or lack of experience and knowledge, unless they have been given supervision or instruction concerning the use of the appliance by person responsible for their safety.
- Close supervision is necessary when any appliance is used by or near children. Children should be supervised to ensure that they do not play with the appliance. Cleaning and user maintenance shall not be done by children unless they are older than 8 and supervised.
- Use the appliance only for intended household purposes as described in this User Manual. Any other use is not recommended that may cause fire, electric shock, or injury to people.

## ELECTRICITY SAFETY

- This appliance must be provided with correct voltage via a professionally installed power socket. Make sure the voltage indicated on the label of the appliance is the same as your local supply.
- **IMPORTANT** - This appliance has a polarized plug (one blade is wider than the other). To reduce the risk of electric shock, this plug is intended to fit in a polarized outlet only one way. If the plug does not fit fully in the outlet, reverse the plug. If it still does not fit, contact a qualified electrician. Do not attempt to rig this safety feature.
- This product employs overload protection (fuse). A blown fuse indicates an overload or short-circuit situation. If the fuse blows, unplug the product from the outlet. Replace the fuse as per the user servicing instructions (follow product marking for proper fuse rating) and check the product. If the replacement fuse blows, a short-circuit may be present and the product should be discarded or returned to an authorized service facility for examination and/or repair.
- **WARNING:** To Reduce The Risk Of Fire Or Electric Shock, Do Not Use This Fan With Any Solid-State Speed Control Device.

- Include instructions pertaining to a risk of fire, electric shock, or injury to persons, for cleaning and user-maintenance, such as lubrication;
- Do not operate any fan with a damaged cord or plug. Discard fan or return to an authorized service facility for examination and/or repair.
- Do not run cord under carpeting. Do not cover cord with throw rugs, runners, or similar coverings. Do not route cord under furniture or appliances. Arrange cord away from traffic area and where it will not be tripped over.

## RELATED TO USE

- DO NOT use this fan to ventilate areas where flammable liquids or vapors are used, stored or are present.
- DO NOT attempt to disassemble, repair, modify or replace any part any part of your product.
- Always make sure to place the fan on a flat, level surface before operation.
- Always unplug the appliance before cleaning, making any repairs or servicing, or whenever not in use.
- It is normal that there is noise during operation. If too loud, please set the fan to lower speed.
- This appliance is not intended for use by persons (including children) with reduced physical, sensory or mental capabilities, or lack of experience and knowledge, unless they have been given supervision or instruction concerning use of the appliance by a person responsible for their safety.
- The SUPPLY CORD cannot be replaced. If the cord is damaged the appliance should be scrapped.
- Ensure that the fan is switched off from the supply mains before removing the guard.

## FOR HOUSEHOLD USE ONLY



**Regular Check**

**HAVE YOUR TOWER FAN CHECKED REGULARLY FOR ANY SIGN OF MALFUNCTION!**

**Check if plug, cord or appliance is damaged**

Stop using, check FAQ and contact Paris Rhône Support Team.

## SPECIFICATIONS

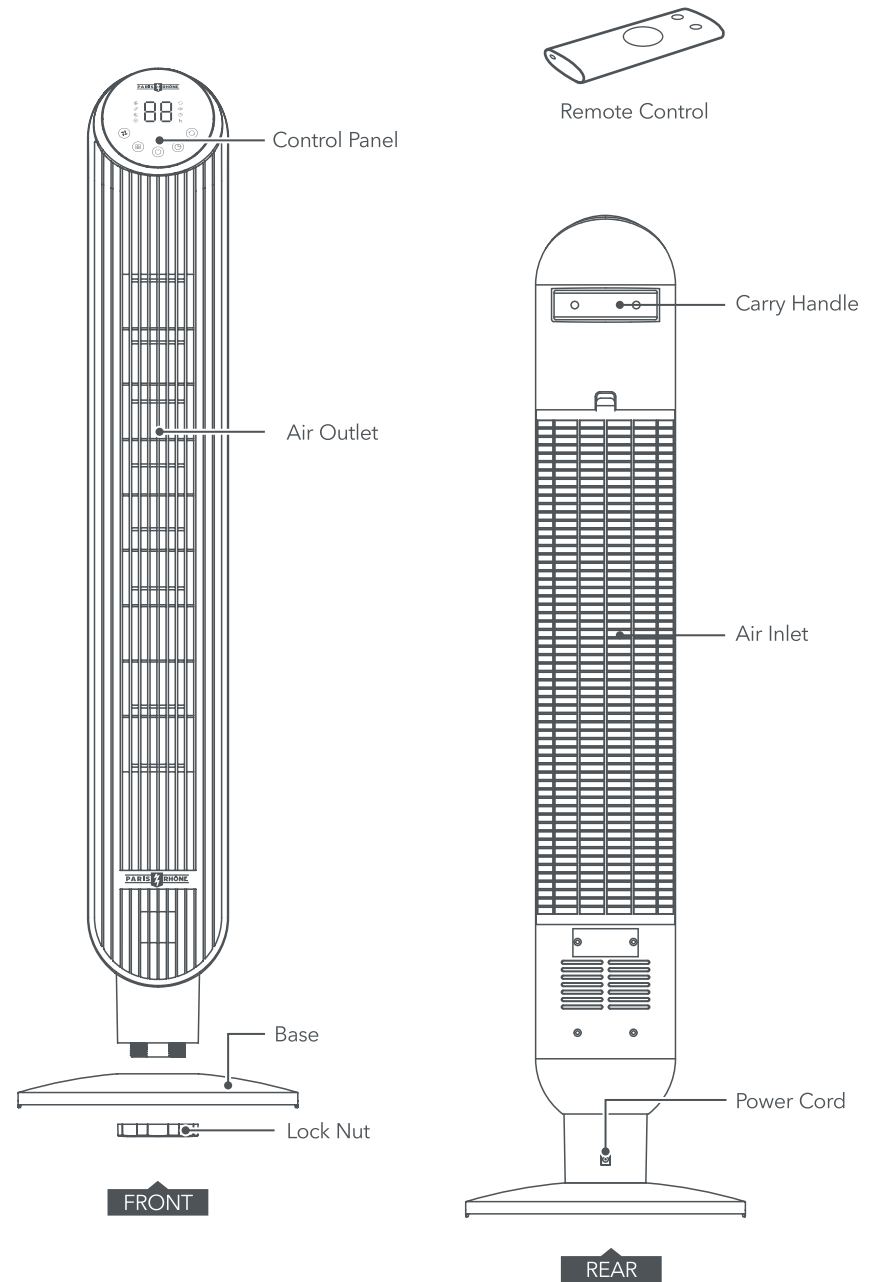
Model	PE-TF023
Input	24VDC 1A
Rated Power	24W

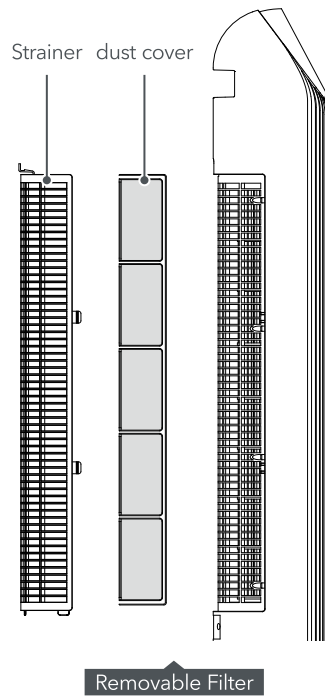
- This device complies with Part 15 of the FCC Rules. Operation is subject to the following two conditions:
- (1) This device may not cause harmful interference, and
  - (2) This device must accept any interference received, including interference that may cause undesired operation.

# 02

## ASSEMBLING YOUR TOWER FAN

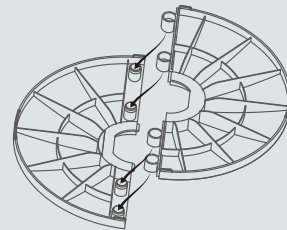
Summon A Cool Breeze Into Your Space



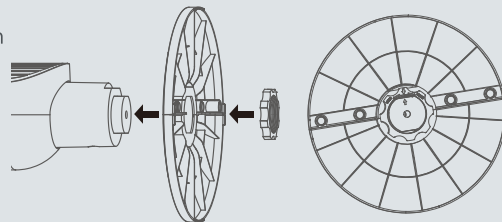


- DO NOT plug into an outlet or operate the fan before the assembly is done.
- Always keep the fan upright on a level ground in case of any damage.

1. Connect the front and rear base parts by pushing the plastic pegs on one half into the corresponding slots on the other half.



2. Connect the base and the main body, turning the lock nut clockwise to secure the connection.



# 03

## USING YOUR TOWER FAN

Summon A Cool Breeze Into Your Space

## Control Panel



### Fan Speed

- Tap to cycle through 1-12 fan speed.
- Hold to increase fan speed rapidly.



### Fan Mode

- Tap to select Normal / Natural / Sleep / Auto mode.
- Hold to mute / unmute while working.



### Power ON/Standby

Turn on / Standby mode .



### Timer for Turning ON/OFF

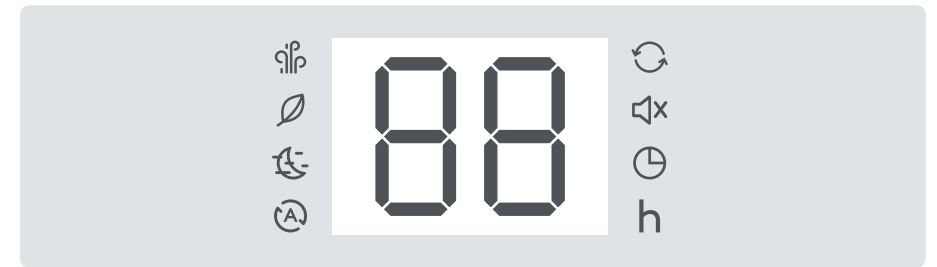
- Tap to set timer for turning on / off the fan (0-12h).
- Hold to cancel the set timer.



### Oscillation

- Tap to start/stop oscillating.
- Hold to reset to factory settings.

## LED Display



Normal



Fan Speed & Timer



Oscillation



Natural



Auto



Mute



Sleep



Hours

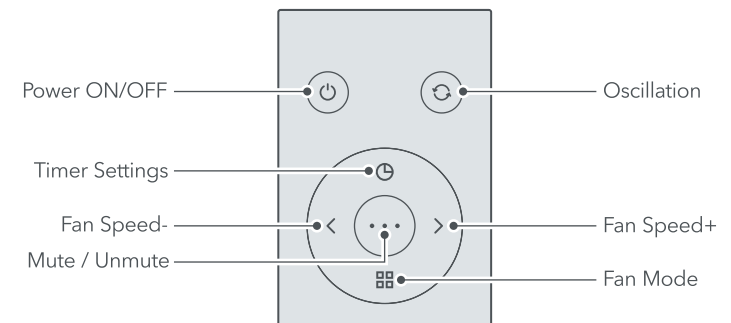


Timer

## Remote Control



- For added convenience, the same control buttons can be found on the remote control.
- Press **...** to mute, a beep will be heard and any operations with the control panel or remote control will be mute. Press again to unmute without a notification.



## Additional Features



### Memory Function

- The fan is designed with power off memory function, it will always remember your last settings (except timer setting) once you turn it on again.



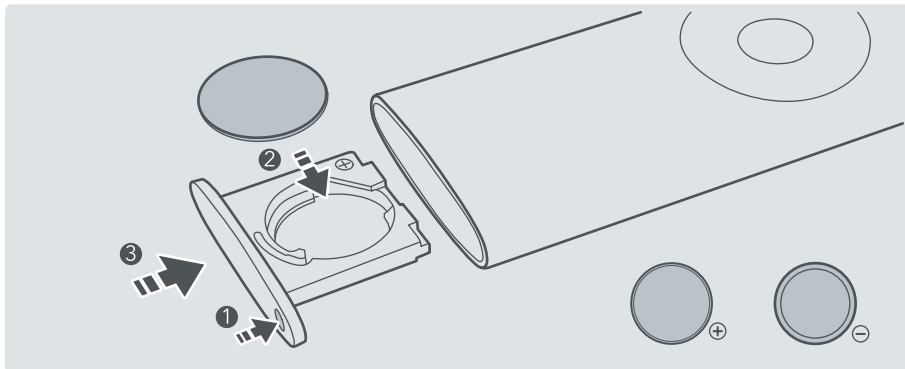
### Auto Display OFF

- If no operation is done within 30s when powered on, the display will turn off automatically.
- To turn the display back on, press any button to wake it up.

## Replacement of Batteries

### Note:

- Take out the plastic insulation sheet before the first use.
  - Replace with new batteries of the same type when replacement is required.
  - When not using the remote control for a long time, take out the batteries.
  - DO NOT attempt to dismantle the batteries.
  - DO NOT dispose the batteries in fire, batteries may explode or leak.
  - DO NOT use rechargeable batteries.
1. Press the locking button to pop up the battery holder.
  2. Replace the battery with the same type (CR2025, 3V), making sure the (+) side facing up.
  3. Push in the holder until securely locked into place.



### WARNING:

**Do not ingest battery, Chemical Burn Hazard.**

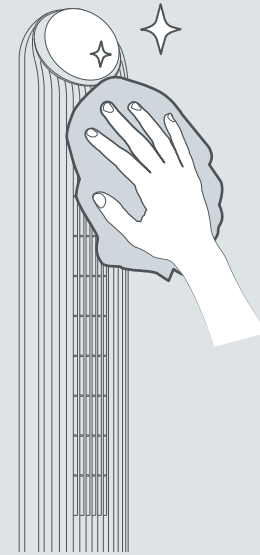
This product contains a coin / button cell battery. If the coin / button cell battery is swallowed, it can cause severe internal burns in just 2 hours and can lead to death. Keep new and used batteries away from children. If the battery compartment does not close securely, stop using the product and keep it away from children. If you think batteries might have been swallowed or placed inside any part of the body, seek immediate medical attention. The batteries contain materials, which are hazardous to the environment; they must be removed from the appliance before it is scrapped and that they are disposed of safely



# 04

## CLEANING AND MAINTENANCE

Summon A Cool  
Breeze Into Your  
Space



Only a soft cloth can be used for cleaning the outer surfaces.



To remove dust between the grills, a pipe cleaner, flexible dust wand, vacuum cleaner or compressed air are acceptable.



- Always make sure the tower fan is turned off and unplugged before cleaning.
- Only a soft cloth can be used for cleaning the outer surfaces.
- To remove dust between the grills, a pipe cleaner, flexible dust wand, vacuum cleaner or compressed air are acceptable.
- DO NOT stick any foreign objects or your fingers inside of the unit.
- Never immerse in water or allow water to drip into the motor housing.
- DO NOT clean with abrasive chemicals or flammable cleaning agents.



- For storage, you may leave the tower fan covered to protect it from dust. Store it in a cool, dry location and wrap the cord around the cord wrap on the unit so that it will not be tripped over or damaged.
- Take out the removable filter and rear grill to clean with water regularly.

# 05

## TROUBLE- SHOOTING

---

Summon A Cool  
Breeze Into Your  
Space

### Why there is noise

It is normal that there is noise during high speed, lower the speed and check again.

### Why the wind power is not strong enough

- Move the fan closer.
- Ensure air inlet and outlet are unobstructed, and no obstacles before the fan.

### Why the remote control is not working

- Make sure the fan is connected to a powered electrical outlet.
- Check that the remote control is powered and move the obstacles between the fan and the remote.
- Operate the remote control near or in front of the tower fan.

### Why the oscillation is not steady

Check that the base is firmly assembled and the fan is on a level ground.

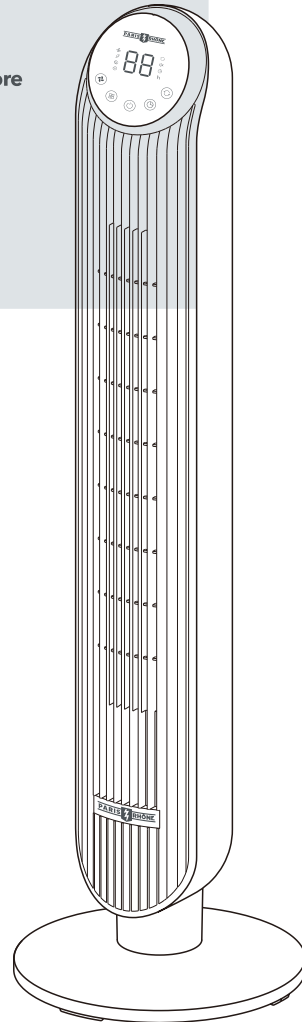
# WARRANTY AND SERVICE

## Thanks for choosing Paris Rhône Tower Fan.

This product is covered with Paris Rhône product and labor warranty for 12 months from the date of its original purchase.

We can only provide after sales service for products that are sold by Paris Rhône or Paris Rhône authorized retailers and distributors. If you have purchased your unit from a different place, please contact your seller for return and warranty issues.

※ **Please have your invoice and order ID ready before contacting Customer Support.**



[support@parishone.com](mailto:support@parishone.com)



[support@parishone.com](mailto:support@parishone.com)



[www.parishone.com](http://www.parishone.com)



Manufacturer: Shenzhen Aspiron Technology Company Limited  
Address: Room 2803B, Building C, Galaxy World Phase II, Minle  
Community, Minzhi Street, Longhua District, Shenzhen, Guangdong, China



**Intertek**  
5025756

Made In China

尺寸：140\*210mm

装订成册

材质：封面120克铜版纸，内页80克书纸

印刷：双色印刷