



ELECTRIC KITCHEN COMPOSTER

PE-EB004
User Manual

Questions or Concerns?
support@parisrhone.com

CONTENTS

- 02 Important Safety Instructions**
- 05 Knowing Your Kitchen Composter**
- 07 Using Your Kitchen Composter**
- 10 Cleaning and Maintenance**
- 11 Troubleshooting**

Important Safety Instructions

Danger!

Do not immerse the product or the power cord in water or other liquid.

Do not open the lid when the unit is running to avoid burnt by high temperature and physical injuries.

Warning!

- Before connecting the product to the power supply, check if the voltage marked on the bottom of the product is consistent with the local voltage.
- If the plug, power cord and other parts are damaged, they must be replaced by the manufacturer or its maintenance department or similar professionals.
- This product is not intended to be used by persons (including children) with reduced physical, sensory or mental disabilities, or lack of relevant experience and knowledge, unless their use of this product is supervised or instructed by someone responsible for their safety.
- Children should be supervised to ensure they do not play with these products.
- Do not reach into the barrel before disconnecting the power.
- The product can only be used with a socket with a ground wire.

Electric Kitchen Composter



PE-EB004

- Do not use if the power cord is damaged. Do not use if any part is broken or dropped or damaged. Do not repair the product by yourself to avoid the risk of electric shock. Take it to an authorized service station for maintenance. There is a risk of electric shock during use if the product is not assembled correctly.
- Using parts not qualified may cause fire, electric shock or injury to others.
- Columnar activated carbon with a diameter of 4mm or more must be used. If activated carbon with a diameter of less than 4mm is used, the activated carbon may enter the fan, causing damage to the fan or product malfunction.

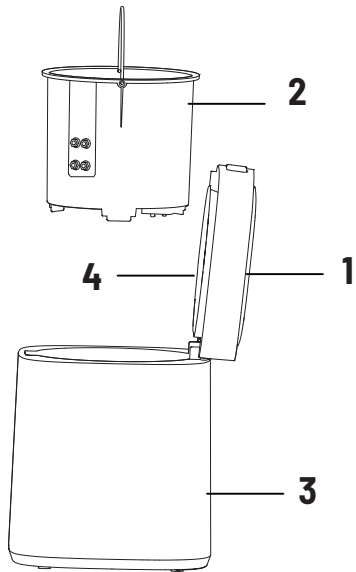
CAUTION

The following garbage can be composted.		The following garbage can't be composted.	
Fishbone	Vegetables	Bone	Metal
Dairy products	Bread	Liquid	Cigarettes
Leaves	Leftover	Nuts	Glass
Tissues		Shells	Pets

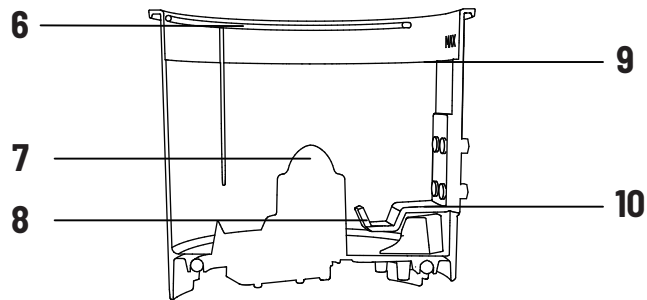
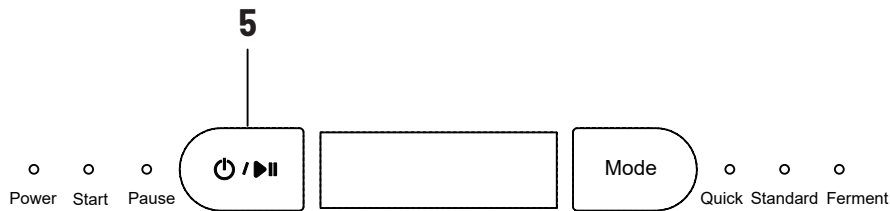
Note: Depending on your usage, we **recommend** replacing the filter every **3-6 months**.

- This machine is not suitable for children.
- When children are around, the user must use the machine with great care.
- Do not store the food waste in the barrel exceeding the scale line inside, otherwise it will affect the operation of the composter.
- When the product is running, do not open the lid. If you have to open the cover, press the power button to pause and disconnect the power supply. Avoid high temperature burns.
- After the operation process is completed, open the lid, make sure the product is stopped, completely cooled, and powered off, or it may cause physical injury and high temperature burns.
- Always unplug the composter after use, wait until the unit is cooled down, and then remove and clean the residue in the barrel.
- Do not use sharp or rough objects to clean the barrel, or it will damage the coating.
- This product is for household use only. Do not use it outdoors for commercial purposes, or for other purposes.

Product Diagram



1. Lid
2. Barrel
3. Body
4. Active Carbon Box
5. Control Panel
6. Carry Handle
7. Stirring Blade
8. W Blade
9. MAX line display
10. MIN Line



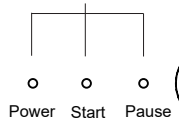
Knowing Your Kitchen Composter

Specifications

Modes	Quick/Standard/Ferment
Rated Current	4.2A
Voltage	AC 120V~ 60Hz
Power	500W
Net Weight	5.85kg/12.3Lbs
Dimensions	253 x 253 x 315 mm/10 x 10 x 12.4 inch
Max Capacity	2.5L
Processing Time	Quick:4.5 hours Standard:5.5 hours Ferment:20 hours

Operations & Functions

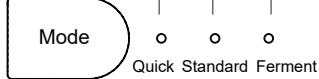
Status Indicators



LED Display



Mode Indicators



Power/Start/Pause Button

- Press and hold for 2 seconds to power on/off.
- During working, press once to pause.
- In the paused status, press once to restart.

Mode Button

- Press once to select a mode.
- Press and hold the Mode button for 3 seconds to enter Drying Mode.

1. Plug in the composter and it is in standby mode.
2. Open the lid, put in the kitchen waste to be disposed of, and close the lid.
3. Turn on the composter and select a mode. Start the composter.

Using Your Kitchen Composter

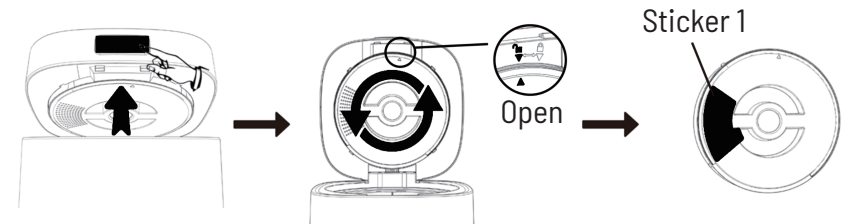
Before First Use

- **Remove** the package to check if the product appearance is in good condition.
- It is **recommended** to replace the filter every 3-6 months.
- Place the appliance on a flat desktop or ground, keep it a way from humid environments and places that are easily exposed to water, and ensure that the product is stable during operation and cannot be shaken.

1. **Press** the button on the lid to open it.

2. Rotate the filter **counter-clockwise** and remove it.

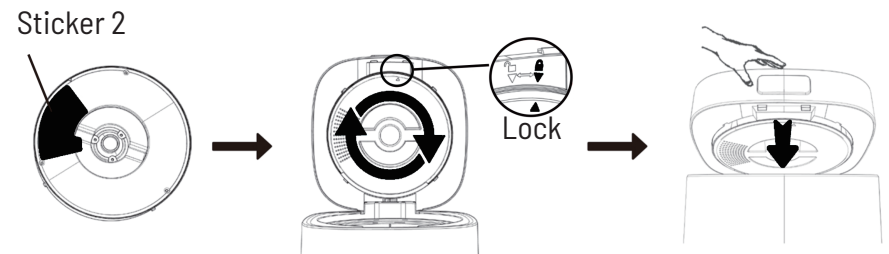
3. **Remove** the sticker from the filter.



4. Flip the filter and **remove the sticker** on the other side.

5. Rotate the filter **clockwise** to install.

6. **Close** the lid down



Cleaning and Maintenance

- Always disconnect the product from power supply before cleaning.
- Always place the composter on a flat surface to avoid shaking during operation.
- Do not place the composter in a wet or humid place to avoid water getting in.
- Do not wipe the barrel and stirring blade with sharp or rough items, which may damage the coating.
- After cleaning the barrel, always dry it before putting it back in to avoid water flowing into the composter, causing short circuit or damage to components.
- Wipe the barrel and the outer surface with a damp cloth instead of rinsing directly with water.

Note:

- **Make sure** the product is used in standard US 120V, 60Hz outlets.
- **Ensure** the waste is not exceeding the Max line nor lower than the Min line in the barrel.
- **Make sure** the lid is locked in place.
- Press the Power Button to **restart** if the lid is opened during working status.

Troubleshooting

Error Code	Problem	Solutions
E01	The lid is not tight.	Cover the lid tightly and press power button once to restart.
E02	The blade is stuck.	Check if anything hard in the barrel.
E03	The fan is stuck by debris.	Please contact customer service: support@parishhone.com.
E04	The filter needs to be replaced.	1.Press any button to display the time and replace the filter. 2.Press and hold the Mode button for 10s to reset.



support@parishhone.com



www.parishhone.com



Manufacturer: Shenzhen Danya Technology Co.,Ltd.
Address: Room 3323, Building C, Galaxy World Phase II, Minle Community,
Minzhi Street, Longhua District, Shenzhen, China



Made In China

尺寸：140*210mm

封面彩色，内页黑白

封面157克书纸，内页105克铜版纸