

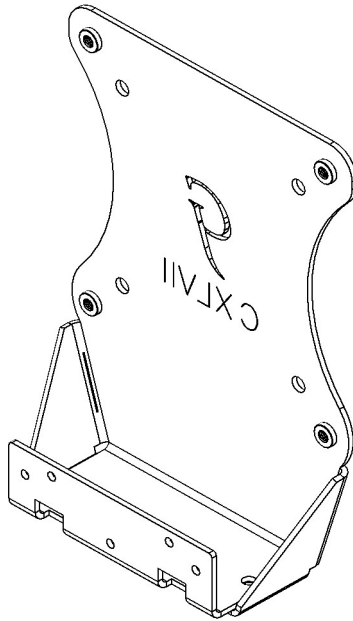
# GJ0A0147



## VESA MOUNT ADAPTER

GLADIATOR JOE

---



*\*Please note: This adapter works for a variety of computer monitors. The images are a representation and may slightly differ from the actual monitor. The assembly process is the same*

---

Fits the following models:  
Lenovo L27q-20

## WARNING!

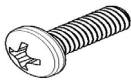
- To avoid danger of suffocation, keep these parts away from babies and children.
- Be aware of the sharp edges of the product.
- Check carefully to make sure that there are no missing or defective parts. Improper installation may cause problems.
- Do not hang something heavy on this product, which may exceed the weight capacity.
- Do not use this product for any other purpose that is not specified in this manual.

---

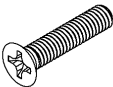
## PACKAGE CONTENTS



A (x1)  
Adapter Bracket



B (x4)  
M4 x12mm  
Screws

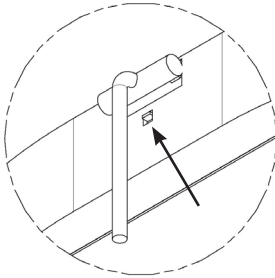


C (x5)  
M3 x 12mm  
Screw



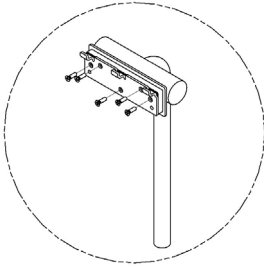
D (x5)  
M3 Hex Nut

# REMOVE ORIGINAL STAND



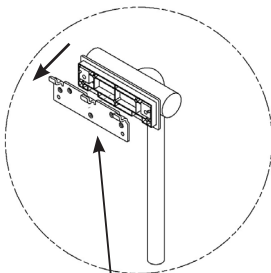
## **STEP 1**

Remove the original base, then push this button to remove the original stand



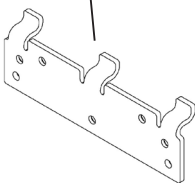
## **STEP 2**

Use your screwdriver to uninstall all factory screws



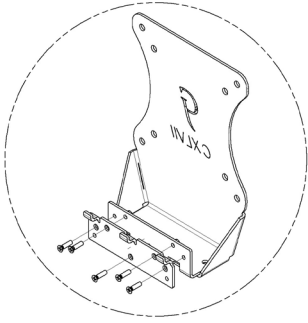
## **STEP 3**

Take off the original metal piece from the stand



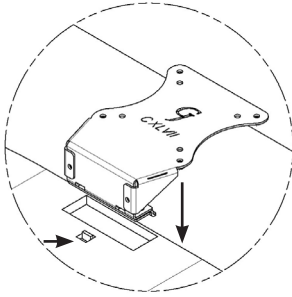
Keep this metal for the next step

## ASSEMBLY STEPS



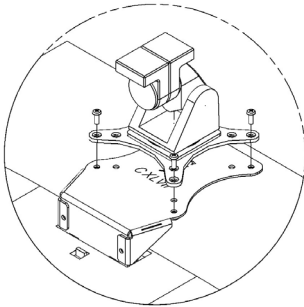
### **STEP 1**

Install original metal piece on your adapter with C(x5) and D (x5)



### **STEP 2**

Push the lock button to install adapter on your monitor



### **STEP 3**

Mount adapter to your arm with B (x4)



<https://gladiatorjoe.com/>



US: +1 954 271 6612  
CDN & International:  
+1 514 494 1348



[info@gladiatorjoe.com](mailto:info@gladiatorjoe.com)