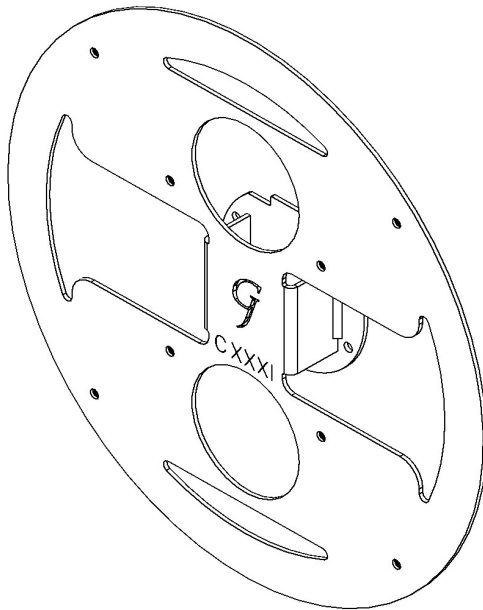


GJOA0131



VESA MOUNT ADAPTER

GLADIATOR JOE



Fits the following models:

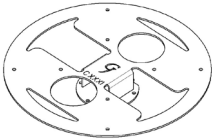
Samsung 49" CHG90, Samsung 49" Neo G9,

Samsung 49" Odyssey G9, Samsung 49" LC49RG90

WARNING!

- To avoid danger of suffocation, keep these parts away from babies and children.
- Be aware of the sharp edges of the product.
- Check carefully to make sure that there are no missing or defective parts. Improper installation may cause problems.
- Do not hang something heavy on this product, which may exceed the weight capacity.
- Do not use this product for any other purpose that is not specified in this manual.

PACKAGE CONTENTS



A (x1)
Adapter Bracket

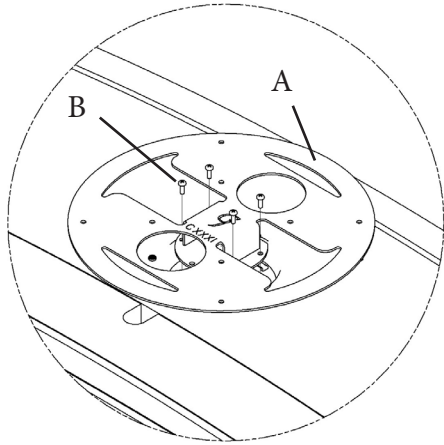


B(x12)
M4 Panhead Screw

ASSEMBLY STEPS

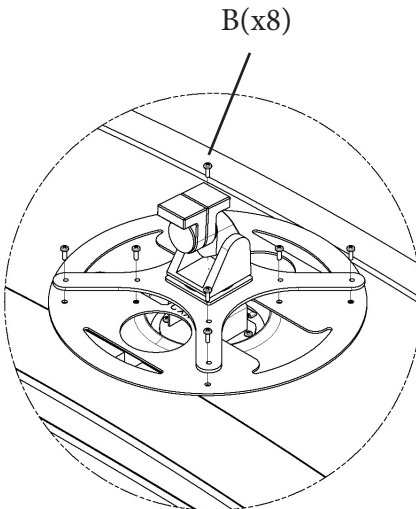
Step 1

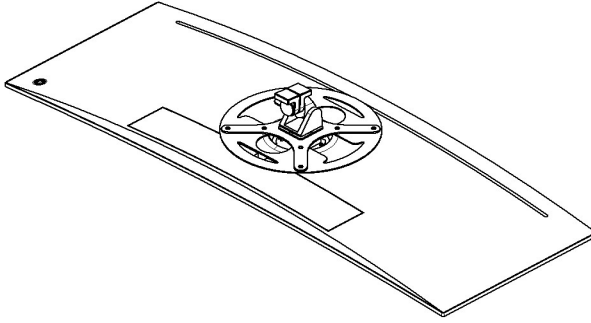
Remove the original monitor stand from the monitor, then install the Vesa adapter A to the monitor with B (x4).



Step 2

Mount adapter to the arm with B (x8)





Please leave us a review if you like our products.
Please feel free to contact us if you have any question.



<https://gladiatorjoe.com/>



US: +1 954 271 6612
CDN & International:
+1 514 494 1348



info@gladiatorjoe.com