

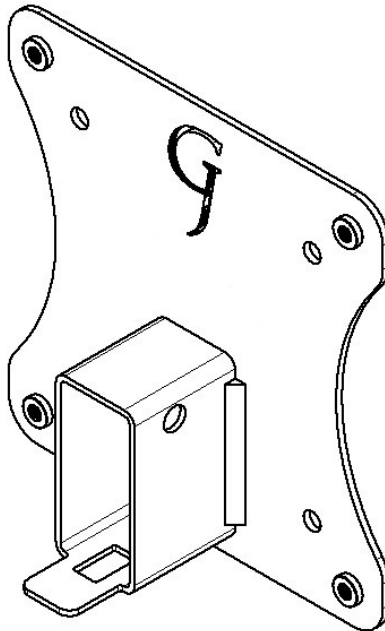
# GJ0A0145



## VESA MOUNT ADAPTER

GLADIATOR JOE

---



---

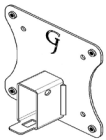
Fits the following models:

HP OMEN 25i

## WARNING!

- To avoid danger of suffocation, keep these parts away from babies and children.
  - Be aware of the sharp edges of the product.
  - Check carefully to make sure that there are no missing or defective parts. Improper installation may cause problems.
  - Do not hang something heavy on this product, which may exceed the weight capacity.
  - Do not use this product for any other purpose that is not specified in this manual.
- 

## PACKAGE CONTENTS



A (x1)  
Adapter Bracket



D (x1)  
M4 Rivet



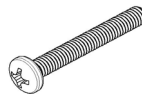
B (x1)  
GJ145 Plastic



E (x4)  
M4 x 12mm  
Panhead Screw

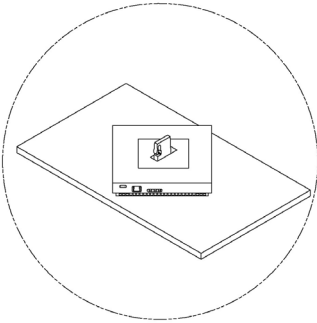


C (x1)  
Washer



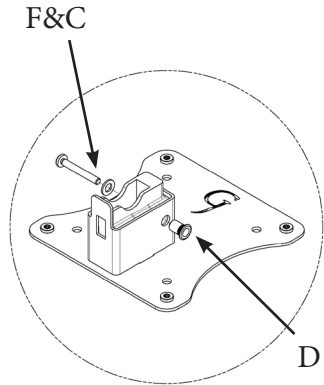
F (x1)  
M4 x 30mm  
Panhead Screw

# ASSEMBLY STEPS



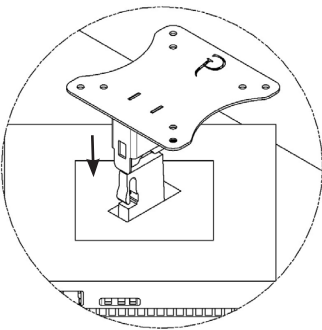
## **STEP 1**

Remove original monitor stand



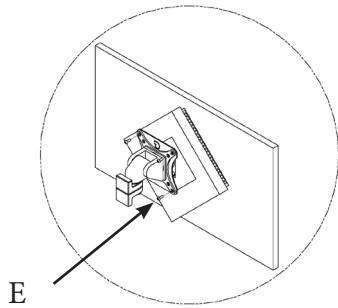
## **STEP 2**

Fix plastic B to the Adapter Bracket A with C(x1),D(x1) and F(x1)



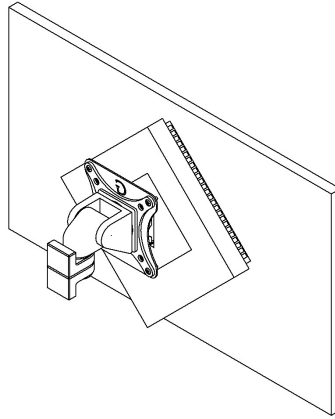
## **STEP 3**

Install adapter to monitor until hear "click"



## **STEP 4**

Mount adapter to your arm with E(x4)



Please leave us a review if you like our products.  
Please feel free to contact us if you have any question.



<https://gladiatorjoe.com/>



US: +1 954 271 6612  
CDN & International:  
+1 514 494 1348



[info@gladiatorjoe.com](mailto:info@gladiatorjoe.com)