

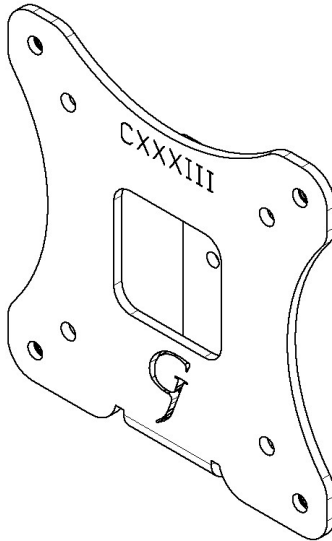
# GJ0A0133



## VESA MOUNT ADAPTER

GLADIATOR JOE

---



---

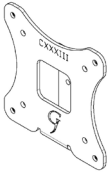
Fits the following models:  
Acer Ed322QR

## WARNING!

- To avoid danger of suffocation, keep these parts away from babies and children.
- Be aware of the sharp edges of the product.
- Check carefully to make sure that there are no missing or defective parts. Improper installation may cause problems.
- Do not hang something heavy on this product, which may exceed the weight capacity.
- Do not use this product for any other purpose that is not specified in this manual.

---

## PACKAGE CONTENTS

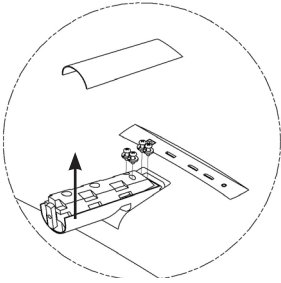


A (x1)  
Adapter Bracket



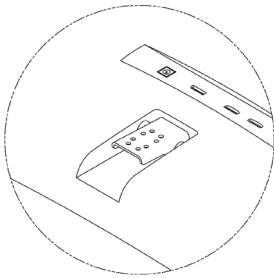
B (x4)  
M4 x12mm  
Screws

# ASSEMBLY STEPS



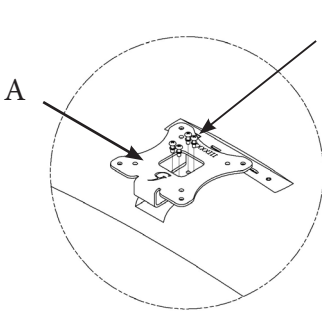
## **STEP 1**

Open the support stand cover, then use your screwdriver to uninstall the factory screws



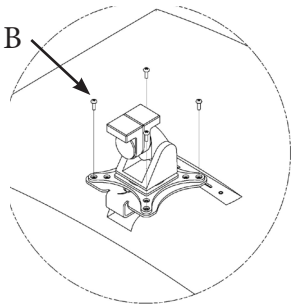
## **STEP 2**

Remove the support stand from the monitor



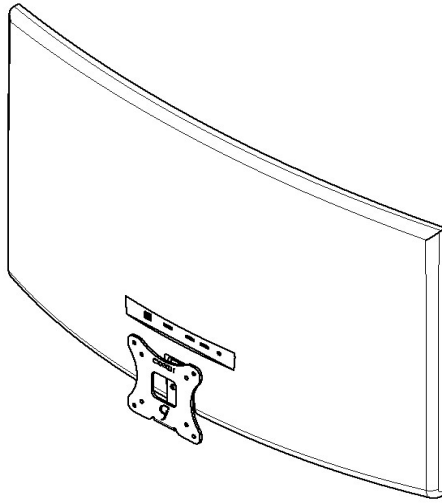
## **STEP 3**

Then install A with the original stand's screws



## **STEP 4**

Mount adapter to your arm with B



Please leave us a review if you like our products.  
Please feel free to contact us if you have any question.



<https://gladiatorjoe.com/>



US: +1 954 271 6612  
CDN & International:  
+1 514 494 1348



[info@gladiatorjoe.com](mailto:info@gladiatorjoe.com)