

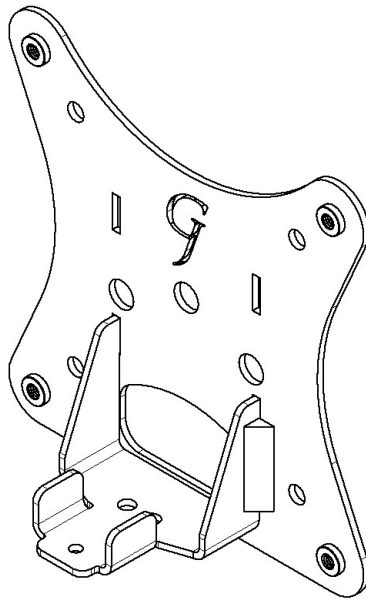
GJOA0113



VESA MOUNT ADAPTER

Design Patent Pending

GLADIATOR JOE



Fits the following models:

AOC : 27B1H, 27B1, 24B1H, 24B1

WARNING!

- To avoid danger of suffocation, keep these parts away from babies and children.
- Be aware of the sharp edges of the product.
- Check carefully to make sure that there are no missing or defective parts. Improper installation may cause problems.
- Do not hang something heavy on this product, which may exceed the weight capacity.
- Do not use this product for any other purpose that is not specified in this manual.

PACKAGE CONTENTS



A (x1)
Adapter Bracket

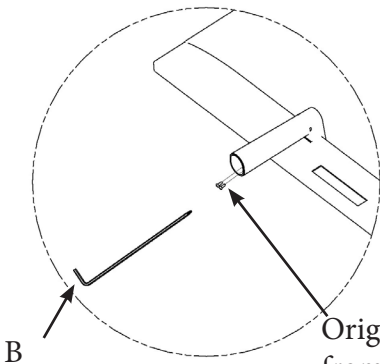


B (x1)
L - Key



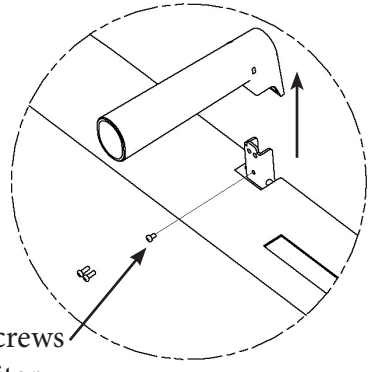
C (x4)
M4 x 12mm Panhead Screw x 4

ASSEMBLY STEPS



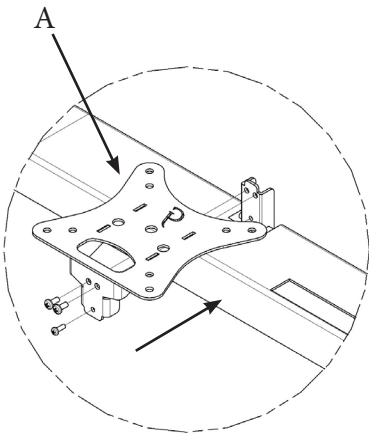
STEP 1

Remove two original monitor screws with L-Key and keep screws



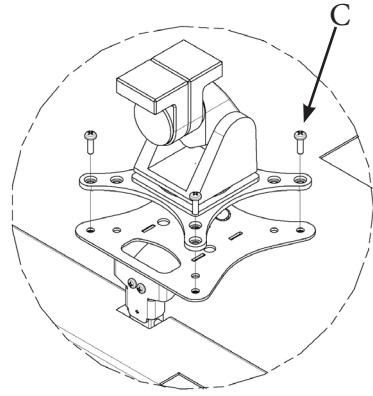
STEP 2

Remove monitor stand and its screw from the original stand



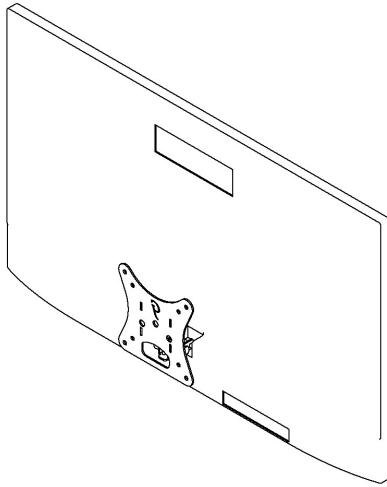
STEP 3

Install original monitor stand's screws (x3) to adapter with monitor stand



STEP 4

Mount adapter to your arm stand with C (x4)



Please leave us a review if you like our products.
Please feel free to contact us if you have any question.



<https://gladiatorjoe.com/>



US: +1 954 271 6612
CDN & International:
+1 514 494 1348



info@gladiatorjoe.com