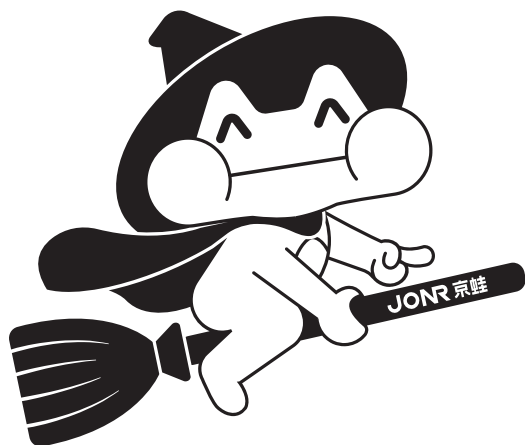


JONR

Cordless Stick Vacuum Cleaner VC10 Pro

Product Manual



Please read this instruction manual carefully
before use and keep it in a safe place.

Table of Contents

| | |
|--|----|
| Important Safety Instructions..... | 1 |
| Product Introduction | 3 |
| Installation Instructions | 5 |
| User Instructions | 7 |
| Cleaning and Maintenance | 9 |
| Storage | 11 |
| Instruction for Hazardous Substance | 12 |
| Troubleshooting..... | 13 |
| Product Specifications and Parameters..... | 14 |
| Warranty Card | 15 |

Important Safety Instructions

To prevent accidents such as electric shock or fire caused by improper use, please read the user manual carefully before use and keep it in a safe place.

Warning

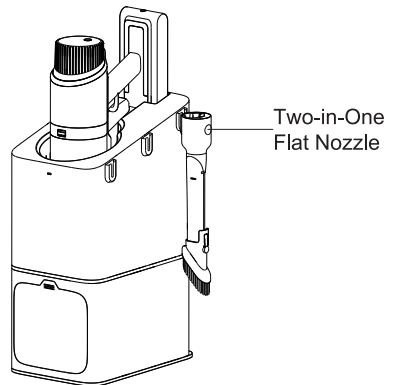
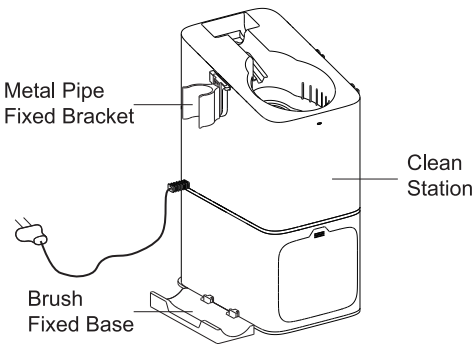
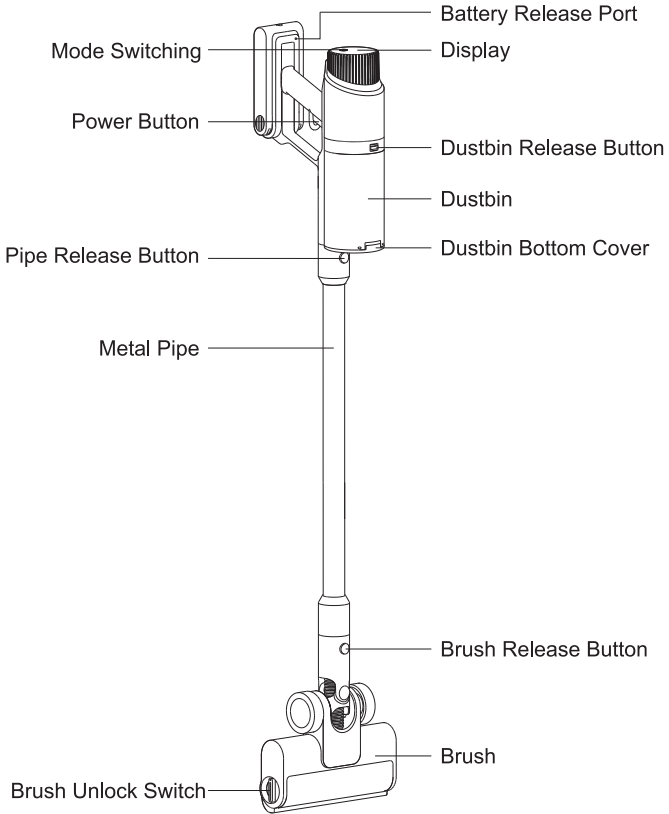
- This product should not be used by individuals with physical, sensory, or intellectual disabilities, or by individuals without relevant experience and knowledge (including children), unless under the supervision or guidance of a caregiver to ensure safe use of the product.
- Prohibit children from operating the product or using it as a toy. When using the product near children, close attention is required. Prohibit children from cleaning or maintaining the product without adult supervision.
- Do not use the product on outdoor or wet surfaces. It is intended for indoor use on dry surfaces only. Do not touch the plug or any part of the product with wet hands.
- To prevent fire, explosion, or injury, check the lithium-ion battery and charger for any damage before use. Do not use the vacuum cleaner if the lithium-ion battery is damaged.
- The vacuum cleaner's brush roller, battery, metal tube, and the main unit are all live parts. Do not immerse them in water or other liquids for cleaning. After regular cleaning, ensure that all filters are completely dry. When cleaning the brush roller, make sure to turn off the main unit to prevent injury from the rotating brush. Do not use the product without installing any accessories.
- Do not use the product to vacuum water, gasoline, or other flammable or explosive liquids. Do not vacuum toxic solutions such as chlorine bleach, ammonia, drain cleaners, or other liquids.
- Prohibit using the vacuum cleaner to clean plaster dust, fireplace ashes, or smoke-emitting materials such as charcoal, cigarette butts, or firewood.
- Use only the provided power adapter. Do not use non-official power adapters as they may cause the lithium-ion battery to catch fire.
- Before use, check the area to be cleaned. If there are large pieces of paper, paper balls, plastic sheets, or anything larger than the nozzle diameter, remove them in advance to avoid clogging the suction pipe and affecting the normal operation of the product.
- Keep the airflow channel and moving parts away from hair, loose clothing, fingers, and other body parts. Do not aim the metal tube or other accessories at your eyes, ears, or put them in your mouth.
- Do not place any objects near the suction opening. Do not use the vacuum cleaner when any suction opening is blocked. Dust, lint, hair, or other items may cause reduced airflow, so clean them promptly.
- Do not place the vacuum cleaner on unstable surfaces such as chairs or tables to prevent it from falling and causing damage or injury. If the vacuum cleaner falls, is damaged, or shows any abnormalities, contact authorized service for repair. Do not disassemble it yourself.
- Follow the instructions carefully for charging. Charging incorrectly outside the specified temperature range may damage the battery.
- Use only the recommended accessories and replacement parts from the company.
- Do not use the product until the dust bin cover and filter cotton are properly installed.
- Unplug the product when not in use for an extended period, during maintenance, or before repairs.
- Exercise caution when using the product to clean stairs to ensure personal safety.
- Do not install, charge, or use the product outdoors, in bathrooms, or around swimming pools.
- Fire hazard warning: Do not apply any fragrance products to the filters of this product. Chemical substances in such products are known to be flammable and may cause the product to catch fire.
- This product is designed for home use only.

Important Safety Instructions

- This appliance can be used by children aged from 8 years and above and persons with reduced physical, sensory or mental capabilities or lack of experience and knowledge if they have been given supervision or instruction concerning use of the appliance in a safe way and understand the hazards involved. Children shall not play with the appliance.
- Cleaning and user maintenance shall not be made by children without supervision.
- This appliance contains batteries that are non-replaceable.
- **WARNING:** For the purposes of recharging the battery, only use the detachable supply unit provided with this appliance.
- **Recycling:** This marking indicates that this product should not be disposed with other household wastes throughout the EU. To prevent possible harm to the environment or human health from uncontrolled waste disposal, recycle it responsibly to promote the sustainable reuse of material resources. To return your used device, please use the return and collection systems or contact the retailer where the product was purchased. They can take this product for environmental safe recycling.

Product Introduction

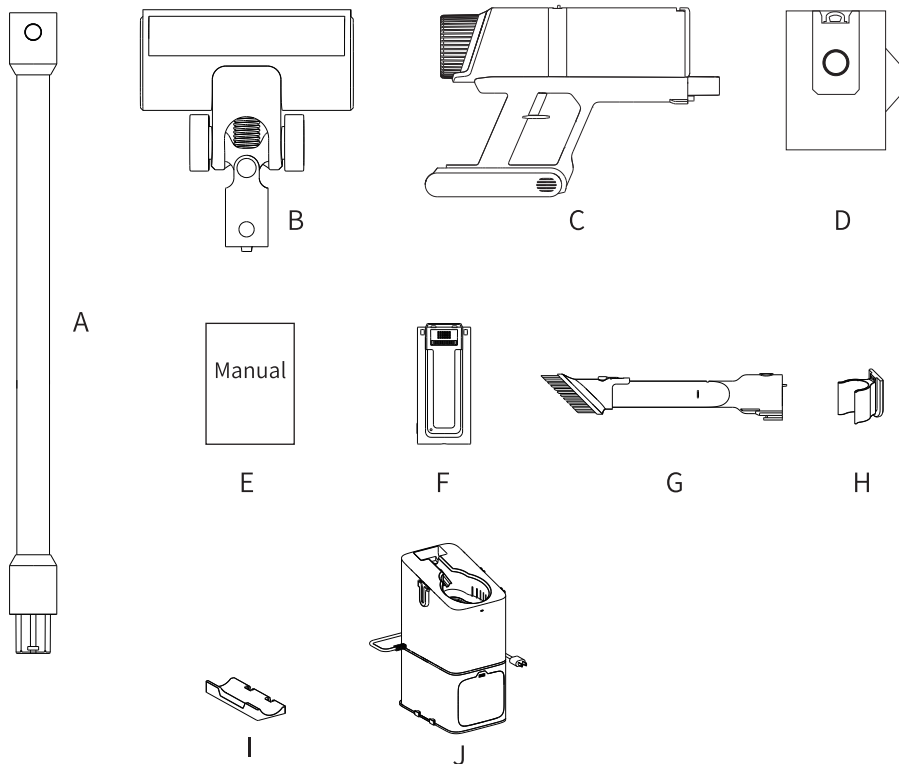
EN



Product Introduction

Included Accessories

EN



A. Metal Pipe

D. Dust bag (1 piece)

G. Two-in-One Flat Nozzle

J. Clean Station

B. Brush

E. Instruction Manual

H. Metal Pipe Fixed Bracket

C. Product Body

F. Battery

I. Brush Fixed Base

Due to the continuous optimization and improvement of our product, the mentioned accessories may vary depending on the version. Our company reserves the right of final interpretation.

Installation Instructions

Assembly Instructions:

1. Assembly of Floor Brush and Metal Tube:

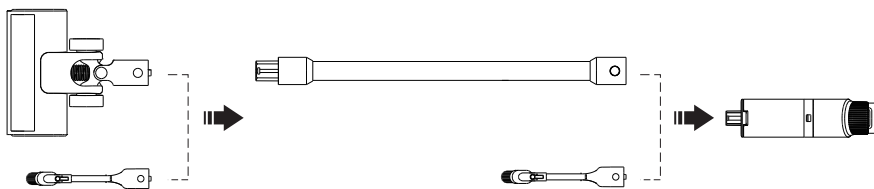
Align the conductive pins on the floor brush socket with the corresponding slots on the metal tube. Apply pressure and push upwards until you hear a "click" indicating a secure lock.

2. Assembly of Metal Tube and Main Unit:

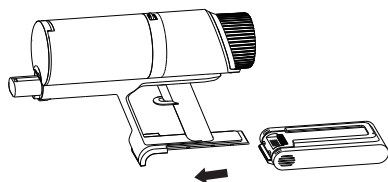
Align the conductive pins on the metal tube with the corresponding slots on the main unit. Apply pressure and push upwards until you hear a "click" indicating a secure lock.

Combination of Two-in-One Flat Nozzle:

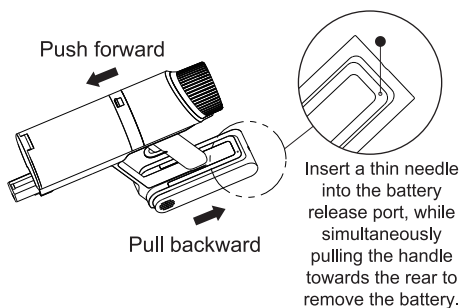
For convenience, our product is equipped with a two-in-one flat nozzle specifically designed for the vacuum cleaner. To attach the two-in-one flat nozzle to the main unit, align the connection port of the two-in-one flat nozzle with the corresponding slot on the main unit. Apply pressure and push upwards until you hear a "click" indicating a secure lock.



Battery Installation and Removal



Insert the battery following the direction shown in the diagram.



Installation of the Clean Station:

Installation of Dust Bag and Door Cover on the Clean Station

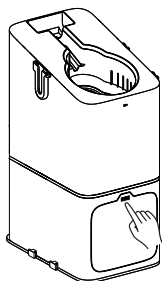
Dust Bag Installation Instructions for the Clean Station (Dust bag and door cover are pre-installed at the factory)

1. Press the location of the door cover to open the door of the clean station.
2. After installing the dust bag, close the door cover of the clean station.

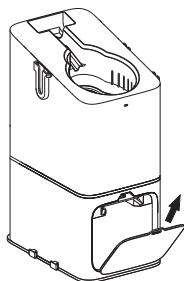
Note: Check if the dust bag is installed. If the dust bag is not installed, the button will activate the lock state, and the door of the clean station cannot be closed.

Installation Instructions

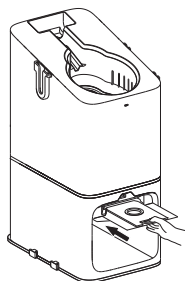
EN



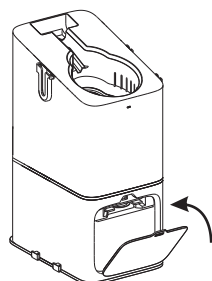
Press the designated area of the door cover on the clean station with your finger.



After the door cover pops out automatically, remove the door cover.



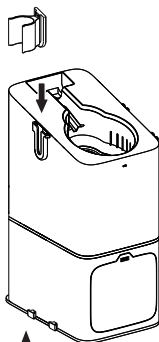
Install the dust bag



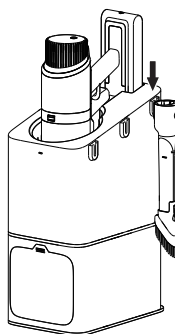
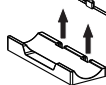
Close the door cover

Installation of Clean Station Accessories

Insert the metal pipe fixed bracket downwards into the corresponding slot of the clean station.



Insert the brush fixed base from bottom to top into the T-shaped slot at the bottom of the clean station.



Insert the 2-in-1 flat nozzle vertically downwards into the corresponding slot of the clean station.

User Instructions

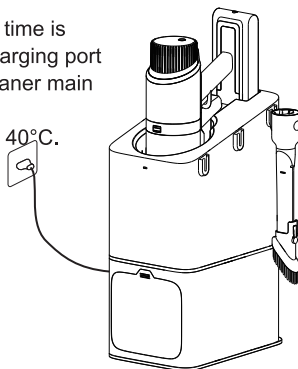
Charging the battery

Before first use, please fully charge the battery. Charging time is approximately 5 hours. Insert the adapter plug into the charging port of the wall mount bracket, and then place the vacuum cleaner main unit into the wall mount bracket for charging.

Note: Do not charge in environments below 5°C or above 40°C.

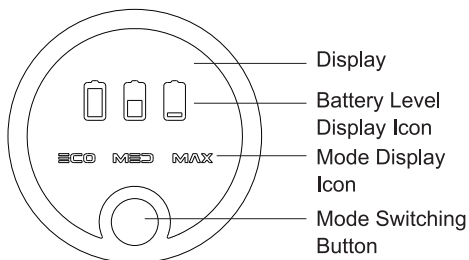
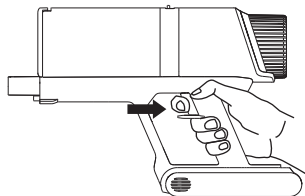
Clean Station Light Indications

1. Power On: The white light stays on and will turn off after 5 minutes.
2. Dust Collection Complete: The white light stays on and will turn off after 5 minutes.
3. Dust Collection in Progress: The white light stays on.
4. Full Dust Bag: The red light stays on.
5. Abnormal Condition: The red light flashes.



Vacuum Cleaner Operation

After taking the vacuum cleaner product body, press the switch on the handle to start the vacuum cleaner. Press the switch again to stop the vacuum cleaner from operating.



●The three battery icons on the screen indicate the battery level status. When the battery is fully charged, the leftmost icon will be lit, and the middle and right icons will be off. When the battery level is at 50%, the middle icon will be lit, and the left and right icons will be off. When the battery level is at 10%, the rightmost icon will be lit, and the left and middle icons will be off. During operation, if the battery level falls below 10%, the battery level indicator will blink to indicate low battery.

●After starting the main unit, lightly press the screen mode switch button to adjust the suction power. It supports three modes: ECO (low), MED (medium), and MAX (high). The default mode upon startup is ECO (low).

Brush

The brush can be used for vacuuming on medium-length carpets or hard floors, including tiles.

Note: While the brush is in operation, if it encounters large foreign objects or excessive fiber entanglement, or if a child accidentally inserts their hand into the brush compartment, the brush may stop rotating to protect personal safety and prevent damage to the brush motor.

Two-in-One Flat Nozzle

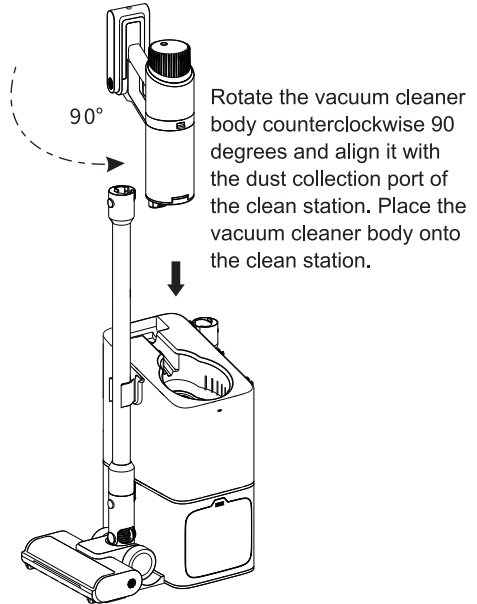
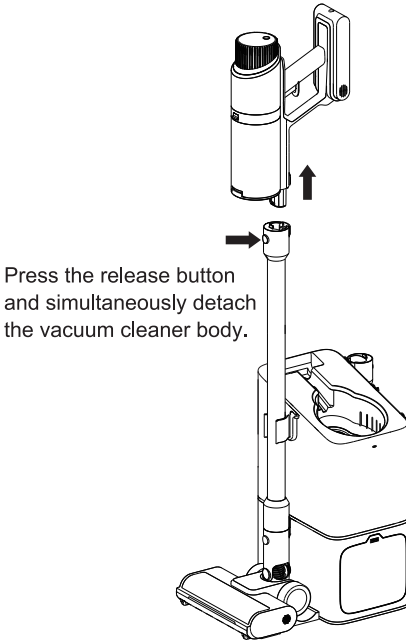
The two-in-one flat nozzle is suitable for cleaning narrow gaps, door and window corners, and other small crevices.

User Instructions

Clean Station

1. Press the release button and simultaneously detach the vacuum cleaner body.
2. Insert the vacuum cleaner body into the clean station. The clean station will automatically start dust collection.
3. Let the clean station collect the debris from the vacuum cleaner body into its dust bag.
4. After the dust collection is complete, remove the vacuum cleaner body and remember to close the dust bin bottom cover.

EN

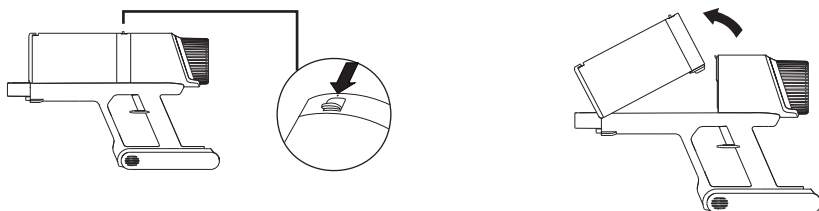


Cleaning and Maintenance

Cleaning the Dustbin and Filter

EN

1. Cleaning the Dustbin (Removing and Installing the Dustbin)

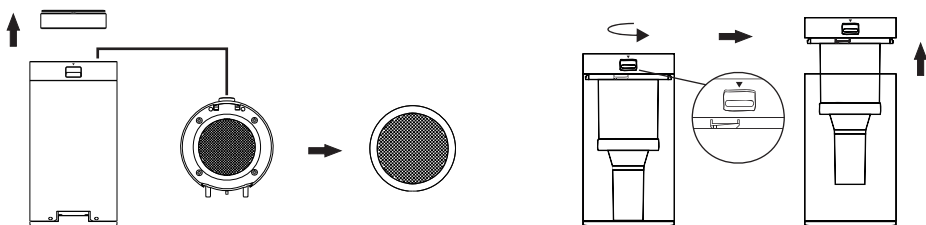


Press the switch on the top of the dust bin and lift the dust bin upwards.

2. Cleaning the Filter Sponge and Cyclonic Mesh Filter

You can remove the filter sponge component for cleaning.

Tip: To clean the filter sponge component, rinse it directly with clean water.



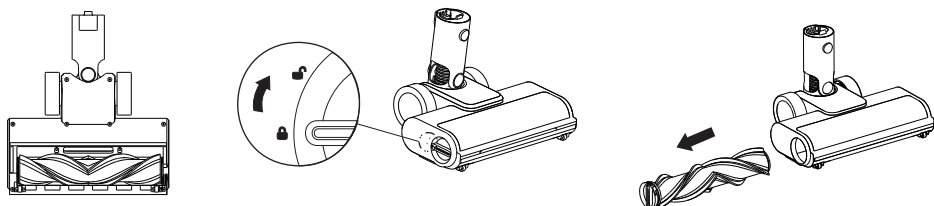
Rotate the cyclonic mesh filter counterclockwise by 15° to remove it. Rotate the cyclonic mesh filter until the triangular symbol aligns with the unlock symbol, and then the cyclonic mesh filter can be detached. After cleaning or washing, let it air dry. Reassemble the components in the reverse order of disassembly for further use.

Cleaning the Brush Roller

1. Rotate the brush roller release button in the direction indicated by the arrow, and the side cover of the brush roller will automatically pop open.

2. On the side of the brush roller, follow the indicated direction to remove one end of the brush roller from the slot for cleaning.

3. After cleaning or replacing, reassemble the brush roller in the reverse order of disassembly.



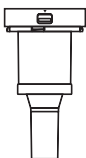
Cleaning and Maintenance

Cleanable Components

The following four components can be cleaned with water. Ensure they are completely dry before reinstallation. To minimize suction loss, we recommend cleaning these components at least once a month.



Filter Sponge



Cyclonic Mesh Filter



Dustbin



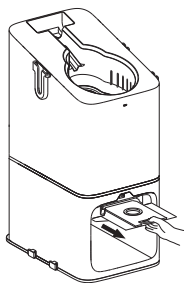
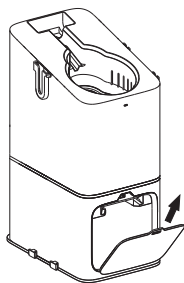
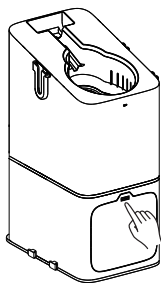
Brush Roller

Note: Use the components only when they are completely dry. We suggest replacing the filter sponge every 3 months and the brush roller every 6 months for regular users.

Clean Station

When the clean station red light is constantly on, indicating the need to replace the dust bag, please follow these steps:

1. Use your finger to press the designated area of the clean station door cover. The door cover will automatically pop out. Remove the door cover. Take out the dust bag from inside the clean station directly.
2. Pull out the dust bag's pull ring and close the opening of the dust bag to prevent dust from flying. Dispose of the dust bag directly into a garbage bin.



Press the designated area of the clean station door cover with your finger. After the door cover pops out automatically, remove the door cover. Then, pull out the dust bag.

Note: Do not cover the door when the dust bag is not installed.

Storage

Disassembling the Vacuum Cleaner Main Body from the Metal Pipe

EN First, secure the position of the vacuum cleaner. Press the pipe release button and pull out the metal pipe.

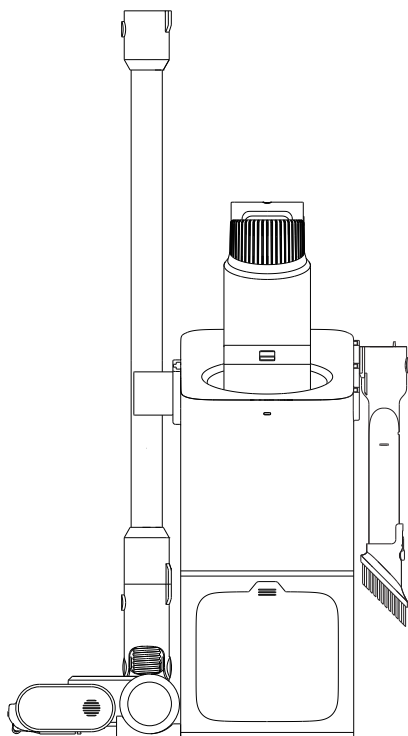
Disassembling the Brush from the Metal Pipe

Press the brush release button and pull out the metal pipe.

Storage of the Vacuum Cleaner

When the vacuum cleaner is not in use for an extended period, please wrap it up and store it in a cool and dry place. Avoid placing it in direct sunlight or a damp environment. To ensure battery life, it is recommended to fully charge the battery once every two months.

This helps maintain the battery's health and longevity.



Instruction for Hazardous Substance

1. This product meets the requirements of the Management Measures for the Restriction of the Use of Hazardous Substances in Electrical and Electronic Products.
2. During the environmental protection use period, no harmful substances that affect their health are leaking or precipitating, and consumers can operate it safely.
3. The environmental protection use period of the company's products is 10 years.
The "environmental protection use period" is valid only when this product works under normal conditions as described in this manual.



EN

| Part name | Hazardous substances | | | | | |
|--------------------|----------------------|----|----|--------|-----|------|
| | Pb | Hg | Cd | Cr(VI) | PBB | PBDE |
| Circuit board | X | O | O | O | O | O |
| Battery | X | O | O | O | O | O |
| Charger | X | O | O | O | O | O |
| Metal parts | O | O | O | O | O | O |
| Other Product Body | O | O | O | O | O | O |
| Other accessories | O | O | O | O | O | O |

This table is prepared in accordance with the provisions of SJ/T11364.

O: Meaning that the content of the hazardous substance in all homogeneous materials of the component is below the limit specified in GB/T26572.

X: Meaning that the content of the hazardous substance in at least one homogeneous material of the component exceeds the limit specified in GB/T26572.

(Note: Some of the parts marked "X" above contain hazardous substances that exceed the limit due to the current technical level of the industry, and substitutes or reductions cannot be realized temporarily).

Troubleshooting

If any abnormality is identified during the product use, please refer to the table below.

EN

| Common Malfunctions | Possible Cause | Solutions |
|---|--|---|
| Vacuum cleaner Not working. | Product is out of power or Low battery. | Please fully charge the product Before use. |
| | Vacuum cleaner nozzle is clogged. | Clean the vacuum cleaner nozzle. |
| Reduced suction Power of the product. | Dust bin, filter components, etc., Are filled with dust. | Clean the dust bin and replace the Filter material. |
| | Roller brush tangled with hair and other debris. | Clean the roller brush and cut off The tangled hair. |
| Unusual noise During operation. | Main suction port or floor brush Port is blocked. | Clean the main suction port or Floor brush port. |
| Flashing display icons. | Battery malfunction. | Contact the dealer. |
| | Motor temperature protection. | Turn off and let it sit for 1 hour To cool down. |
| | Battery temperature protection. | |
| Product unable To charge. | Product body not properly Assembled. | Reassemble the product body. |
| | Power cord not plugged in properly. | Check that the power plug is properly Inserted. |
| | If the above conditions have been ruled out and the issue persists, Please contact our customer service for repair. | |
| The clean station Is not working. | The vacuum cleaner is not installed properly. | Check for foreign objects and reinstall it. |
| | Motor temperature protection. | Turn off the unit and let it cool down for 1 hour before restarting. |
| | Internal circuit failure. | Please contact our after-sales Service for repair. |

If following the above steps does not resolve the issue and the product still doesn't work properly, please contact the place of purchase for assistance with after-sales support.

Product Specifications and Parameters

| | |
|------------------|--|
| Product Name | Cordless Stick Vacuum Cleaner |
| Product Model | VC 10 Pro |
| Charging Voltage | 32V== |
| Rated Voltage | 25,9V== |
| Rated Power | Vacuum Cleaner 420W,Clean Station 600W |
| Battery Capacity | 2500m Ah |

EN

Warranty Card

EN

| Relevant information (filled in by the user) | | | |
|--|--|------------------|--|
| User name | | Contact phone | |
| Contact address | | | |
| Product model | | Product No. | |
| Purchase store | | Date of purchase | |
| Repair station | | Invoice number | |

| Repair Records | | | |
|----------------------------|--|-------------------------|--|
| Repair station | | | |
| Fault content | | | |
| Troubleshooting details | | | |
| Name of the repair station | | Phone of repair station | |
| Signature of the repairman | | | |

Please keep the warranty card properly and provide the original warranty card and valid invoice for the repair.

Product Certificate Product

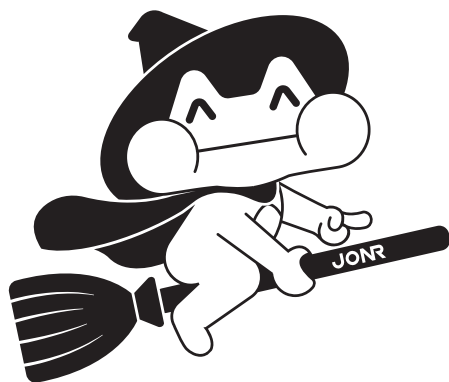
M o d e l _____

Inspector No. _____

Date of check _____

Check conclusion _____





Manufacturer: Suzhou New Ebao Technology Co.,Ltd
Address: 2-201 (1), building 1, Microsystem Park, No. 2,
Peiyuan Road, High-Tech Zone, Suzhou
Website: www.jonrtech.com
E-Mail: service@jonr.cc