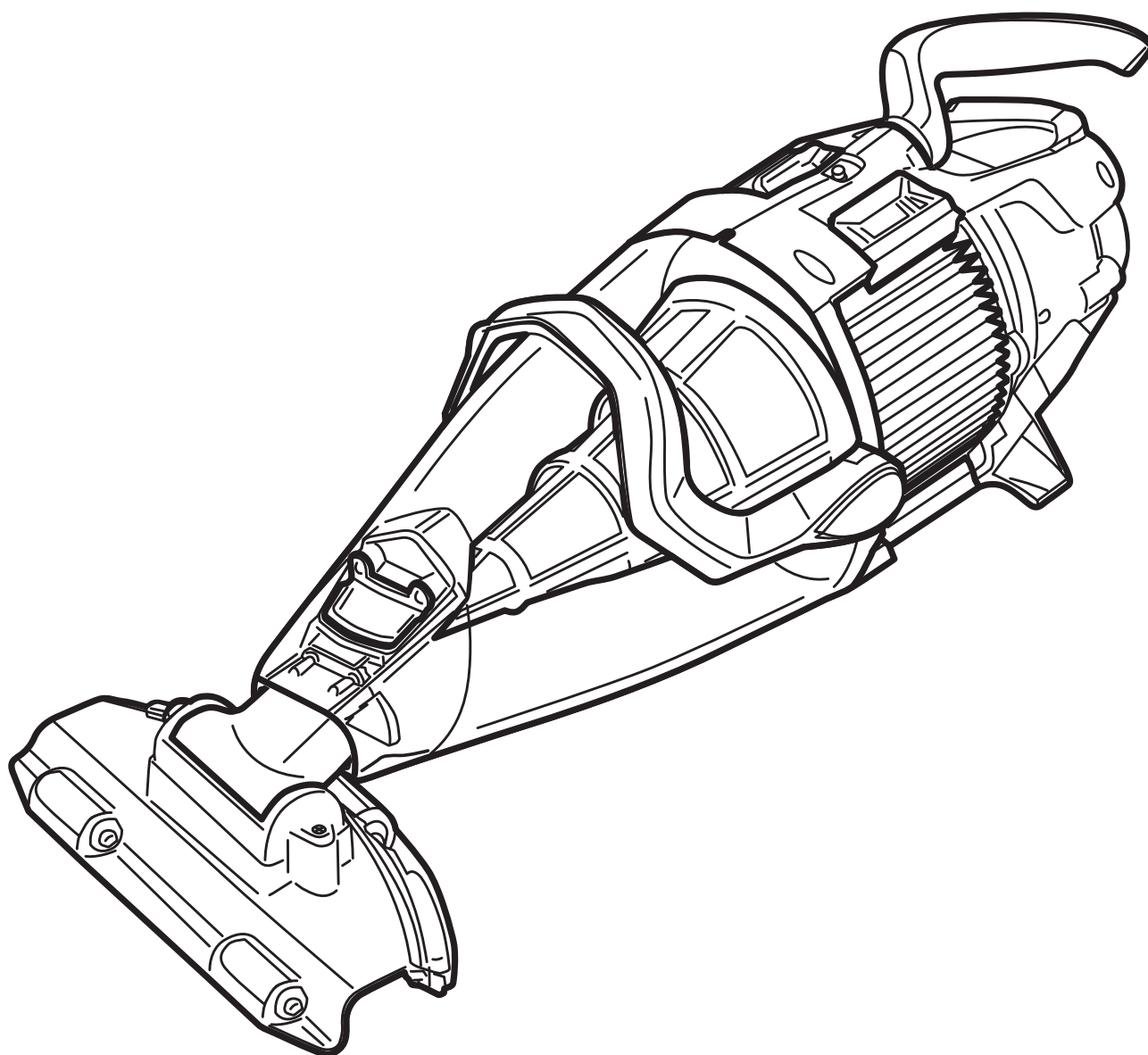


Pool Vacuum Cleaner

# xtrovac 710

## USER MANUAL



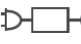
**KOKIDO**

# **SAFETY WARNINGS & INSTRUCTIONS**

Information contained in this Instruction Manual will help you operate the item safely, protect yourself and others from hazards, and prevent damage to the device and other property.

## **SAVE THESE INSTRUCTIONS**

### **WARNING!**

- This is not a TOY. Children should be kept out of reach from this pool vacuum and its accessories.
- Never allow children to operate this pool vacuum.
- This appliance is not intended for use by persons with reduced physical, sensory, mental capabilities, or a lack of experience and knowledge, unless they are given supervision or instructions concerning the safe use of the appliance and understand the hazards involved by a person responsible for their safety.
- Children must not play with this product.
- Cleaning and maintenance of the pool vacuum must not be carried out by children.
- Make sure the pool vacuum is fully immersed in the pool before initiating operation. The minimum water level required to operate the pool vacuum must cover the entire pool vacuum. Operating the pool vacuum when it is not immersed correctly could damage the unit and void the warranty.
- Maximum operating depth in water is 3 meters (9.8ft).
- Maximum water temperature: 5°C (41°F) – 35°C (95°F)
-  Detachable supply unit (external adaptor).
- The pool vacuum should only be recharged with the external adaptor and charging plug delivered with this product.
- For the purposes of recharging the battery, only use the detachable supply unit (external adaptor model number: DSS12D-1351000-B / DSS12D-1351000-C / DSS12D-1351000-D/ LX135100U) that provided with this pool vacuum to charge the battery.
- Connect the external adaptor to a power source through a residential current device (RCD) / a ground fault circuit interrupter (GFCI). If in doubt, consult a qualified electrician.
- Do not use this pool vacuum if any damage is detected.
- Replace damaged parts with ones that are certified by the distributor or manufacturer.
- Turn off the power, disconnect the external adaptor from the power source, and unplug the external adaptor from the charging plug before detaching the pool vacuum from the charging plug.
- Disconnect the pool vacuum from the supply mains and make sure the pool vacuum is OFF prior to carrying out regular maintenance – such as cleaning the filter and the charging pins.
- Do not attempt to replace the installed rechargeable Li-ion battery pack.
- DO NOT handle the pool vacuum, external adaptor, and charging plug

while it is charging with wet limbs and without shoes.

- You should not operate this pool vacuum when people/pets are present in the water.
- DO NOT use this pool vacuum without an intact filter cone in place, as your warranty will be voided as a result.
- Suction entrapment hazard: This pool vacuum generates suction. Do not allow hair, body, or any loose parts of your clothing to make contact with the suction hole of the pool vacuum during its operation.
- Never insert body parts, clothing or other objects into the openings and moving parts of the pool vacuum.
- DO NOT use this pool vacuum to pick up any toxic substance, flammable, and combustible liquids (i.e. gasoline) in the presence of explosive or flammable fumes.
- Under no circumstances should you attempt to disassemble the pool vacuum and replace the impeller, motor, and battery by yourself.
- Never insert fingers or any object to touch the impeller.
- The built-in battery must be removed by a skilled technician before it is scrapped.
- This pool vacuum contains a battery that are only to be removed by skilled persons.
- The pool vacuum must be disconnected from the supply mains as the battery is removed.
- For details regarding battery recycling/disposal, refer to the section "BATTERY DISPOSAL" in this manual and contact your local authorities for more information.
- The battery must be disposed safely in accordance with local ordinances or regulations.
  
- External adaptor and charging plug:
  - Never use the external adaptor and charging plug for anything other than charging the battery of the pool vacuum that is supplied in the same pack.
  - The external adaptor and charging plug should not be used outdoors, nor should it be exposed to rain, humidity, and any liquid or heat.
  - The transformer (or external adaptor) is to be located outside zone 1
  - Keep the external adaptor and charging plug out of reach of children.
  - Never use the external adaptor and charging plug if any damage is detected.
  - DO NOT handle the external adaptor and charging plug with wet hands.
  - DO NOT handle the pool vacuum, external adaptor, and charging plug while charging with wet hands and without shoes.

- Keep the external adaptor disconnected from power when it is not in use.
- Never attempt to open the external adaptor and charging plug.
- If the supply cord of the external adaptor is damaged, the external adaptor must be replaced by the manufacturer or its service agent to prevent hazards of any kind.
- Make sure the pool vacuum and the charging plug are completely dry before charging.

### **CAUTION!**

- This pool vacuum is designed for underwater use only; it is not an all-purpose vacuum cleaner. DO NOT attempt to use it to clean anything other than your pool / spa.
- Use only original accessories delivered with this product.
- DO NOT use this pool vacuum right after pool-shocking. It is recommended to leave the pool circulating for at least 24-48 hours.
- If you are planning on using the pool vacuum in a saltwater pool, make sure all salt are dissolved before deploying the pool vacuum.
- DO NOT use this pool vacuum with another automatic cleaner/cleaner simultaneously in the pool/spa.
- Avoid picking up hard, sharp objects with this product. They may damage the pool vacuum and filter.
- Exercise caution when cleaning pool stairs.
- To avoid damages to the external adaptor and charging plug, do not attempt to carry the pool vacuum by the cord of external adaptor / charging plug or pull the cord to disconnect it from the power source and charging plug.
- Charge the pool vacuum indoor in a clean, dry area with good ventilation and an ambient temperature between 5°C (41°F) – 35°C (95°F).
- DO NOT leave the pool vacuum charged for over 10 hours.
- If the pool vacuum will not be used for an extended period, detach it from the charging plug and use a damp cloth to clean and dry the pool vacuum and accessories. Make sure to charge the pool vacuum to about 30% to 50% of the battery capacity before it is stored. Store in a well-ventilated area away from sunlight, heat, ignition sources, pool chemicals, and children. Never leave the pool vacuum plugged in for long-term storage. Recharge the pool vacuum every three months.

**Above warnings and cautions are not intended to incorporate all possible instances for risks and / or severe injuries.** Pool / spa owners should always exercise extra caution and common sense when utilizing the product.

Remark: Product/parts photos/drawings in this manual are for demonstration only. Product/parts in photos/drawings may vary with the model purchased.

**Accessories / parts shown in this manual & parts diagram are not necessarily included with every model.**

## **GETTING STARTED**

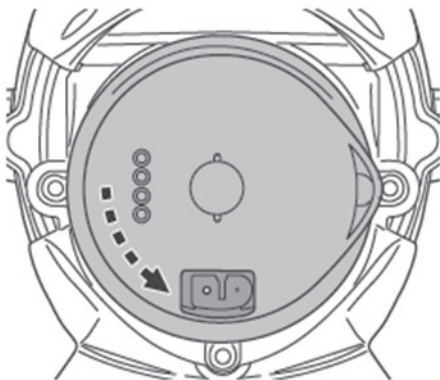
### **Charging the battery**

**IMPORTANT NOTE:** Fully charge the pool vacuum (about 6 hrs) before using it for the first time.

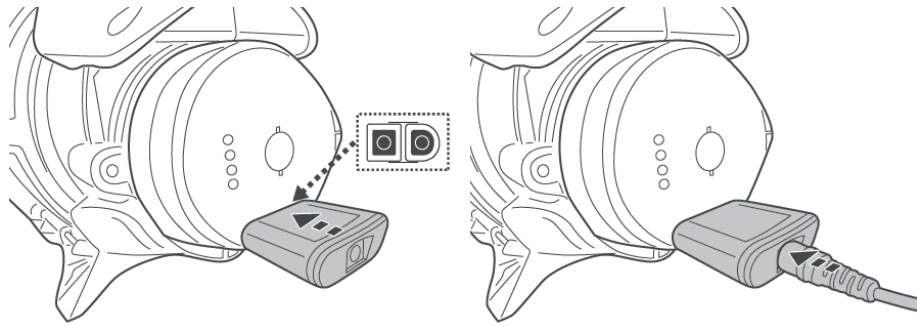
### **WARNING!**

- Use only the original external adaptor and charging plug provided.
- Make sure the pool vacuum and the charging port are clean and dry before set-up and charging. (TIPS : use a cotton bud to dry the charging port and charging pins)
- Charging must be done indoors, in a well-ventilated area away from sunlight, children, heat, ignition sources, and with an ambient temperature between 5°C (41°F) – 35°C (95°F).
- Never use the external adaptor and charging plug if any damage is detected.
- The charging pins are waterproof. However, remnants of water in the port and around the pins could result in natural occurrence of stains (a byproduct of chemical reaction between water and electric currents). Otherwise, the stains can be removed by light scrubbing with a cotton bud soaked with juice of lemon or vinegar.
- Make sure that the pool vacuum is turned off prior to charging.

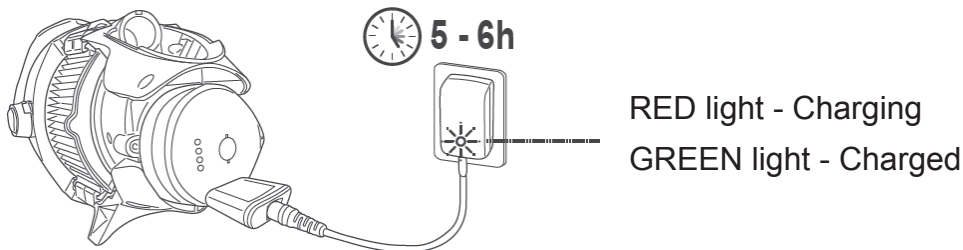
1. Place the unit on a flat surface. Set the pool vacuum to Power Off/Charging Mode by turning the switching knob anticlockwise until it clicks and completely exposes the charging port.



2. Align and insert the charging plug to the charging port.  
**WARNING!** Be sure not to invert the charging plug and ensure both the charging plug and charging port are clean and dry before charging them.  
**TIPS:** Use cotton bud to dry the charging port and pins. Plug the charging cable of the external adaptor into the charging plug.



3. Connect the external adaptor to the power source. The indicator light on the external adaptor will turn red when the vacuum is charging and green when it is fully charged. Charge it for 5-6 hours for best performance.



**NOTE:** if the motor is generating noise, turn off the unit by positioning the switching knob to Power Off/Charging Mode position.

- Immediately disconnect the external adaptor from the power source if you detect any of the following:
    - Offensive or unusual odor
    - Excessive heat
    - Deformation, cracks, leaks
    - Smoke
4. When charging is complete, disconnect the external adaptor from the power source and detach the charging plug from the unit and external adaptor.

Normally, the pool vacuum can operate up to 75 minutes on a full charge (charged for 5-6 hours)

**Note:** Clean the cartridge filter/filter cone regularly. Excessive debris inside the cartridge filter /filter cone increases the burden to the motor operation and shortens the operating duration as a result.

**FACT:** Rechargeable Lithium-Ion battery is classified as a consumable item. It has a limited life and will gradually lose its capacity to hold a charge. Therefore, running time of the pool vacuum will gradually reduce through repeated charging and discharging in operation.

Once the lifespan of the battery reaches its end, refer to section “BATTERY DISPOSAL” for instructions regarding battery disposal.

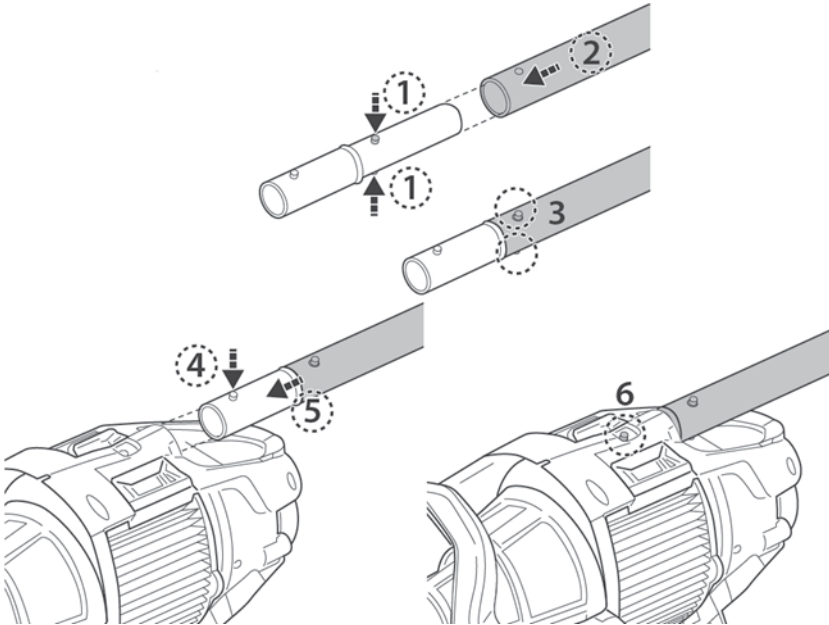
**NOTE:** Let the pool vacuum rest for 30 to 40 minutes before charging it again.



## Set-Up Before Use

### Telescopic pole (not included) assembly (For EU & USA only)

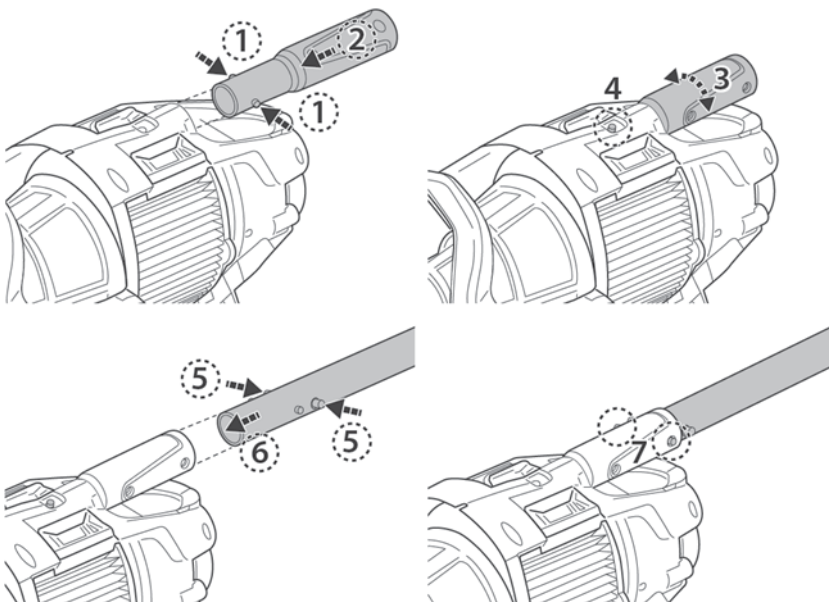
Press down the side pins of the connector and slide the telescopic pole to the connector until both side pins are secured in the holes of the pole. Press down the top pin of the connector and insert it into the connector chamber until top pin is secured in the hole.



To release the telescopic pole, press down the top pin of the pole connector and pull out the pole. Press down side pins of the connector to release the pole.

### Specific Telescopic pole (not included) assembly (For Australia and New Zealand only)

Insert the end (with two side pins) of the specific telescopic pole connector into the pool vacuum as shown until its side pins are secured to the handle's locking hole on the rear body. Install the specific telescopic pole (with internal wishbone clip) to the pole connector as shown:

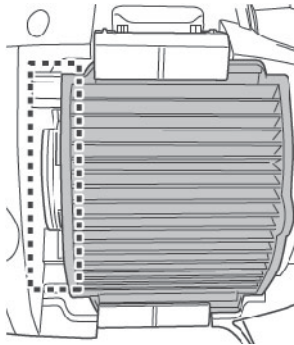


### Cartridge filter setting

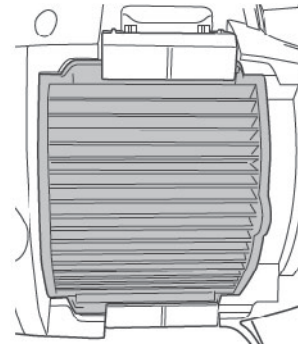
For general cleaning, place the cartridge filter on NORMAL position or completely remove the cartridge filter in order to prolong the cartridge life.

For fine filtration, place the cartridge filter at the FINE position for picking up fine debris (i.e., sand, fine dust etc).

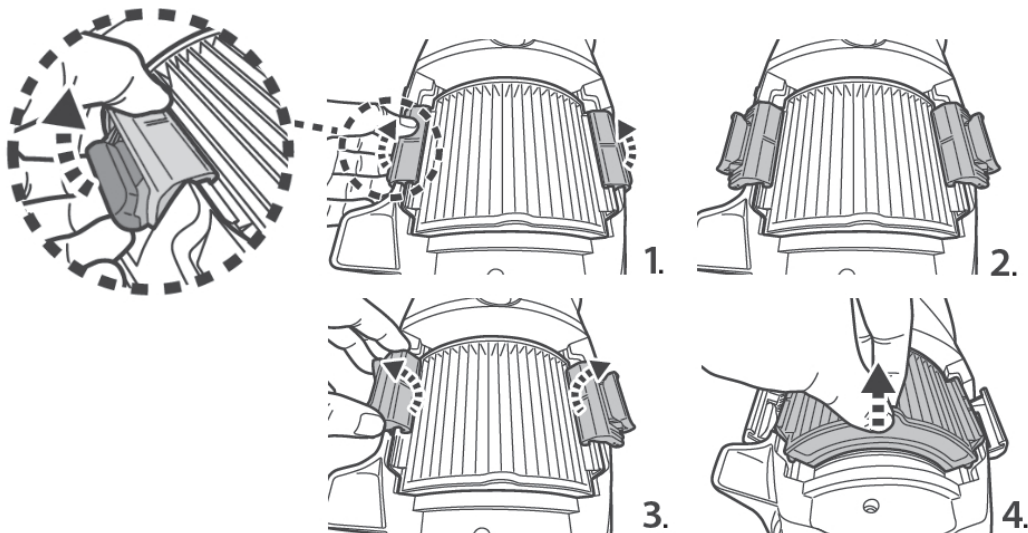
NORMAL position



FINE position



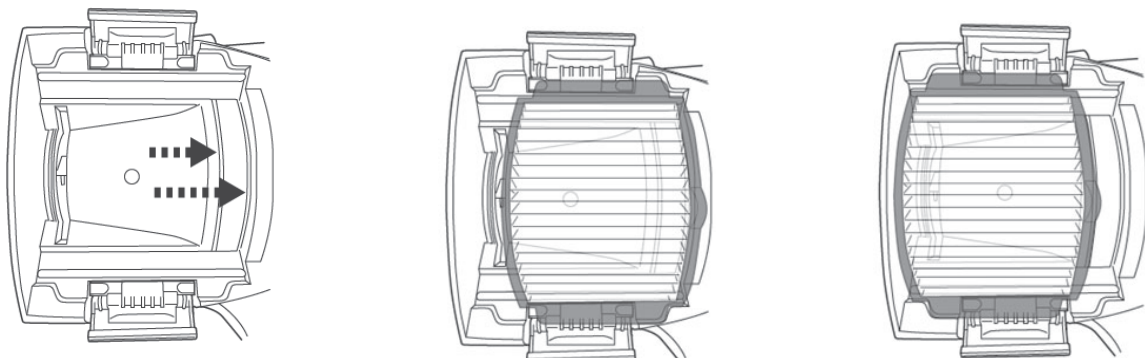
There are 2 identical latches on both sides of the cartridge filter. Pry the clip of the latch to release the locking and flip over the hinge to completely release the latch. Repeat same steps to release opposite latch. Hold the tab on the cartridge side to detach the cartridge filter.



Align the cartridge filter to the notch on the cavity to achieve the desired position.

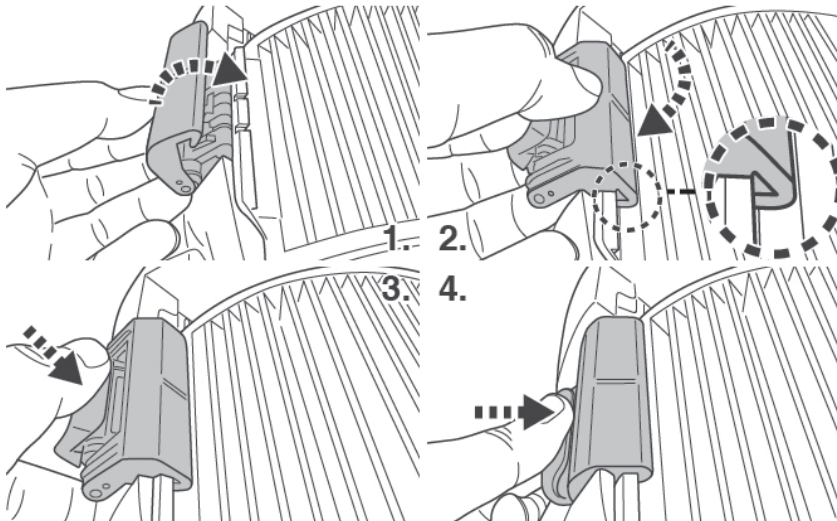
NORMAL position

FINE position





Reverse the steps to lock both latches. Make sure the hook is secured on the edge of the cartridge filter and the latch is completely pressed down to the body.



## ***Pool Preparation***

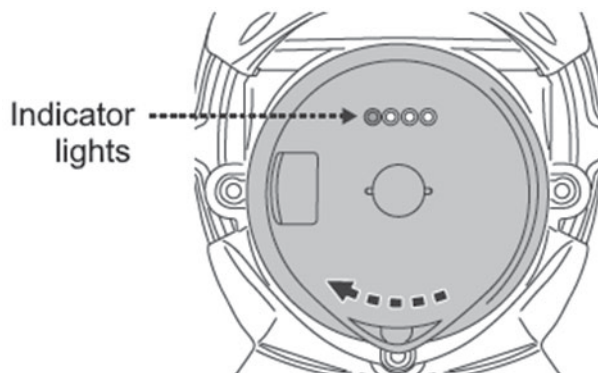
- If there are stones, roots or metal corrosion in contact with the underside of the liner, discard them prior to using the pool vacuum. If necessary, seek assistance from a qualified professional.
- If the liner is brittle, damaged or wrinkled, contact a qualified professional to perform the necessary repairs or perform a liner replacement prior to using the pool vacuum.
- If you are using a saltwater pool, make sure all salt are dissolved before placing the pool vacuum into the water.

## **OPERATION**

### **WARNING!**

- Make sure the pool vacuum is off
- Do not use the pool vacuum if any damage is detected.
- Oil stain could occur due to possible leakage of lubricants applied to the O-ring.
- Do not operate this pool vacuum if there are people/pets present in the water.
- Make sure the pool vacuum is fully immersed in the pool before initiating operation. The minimum water level required to operate the pool vacuum must reach above the power ON/OFF switch of the pool vacuum when it is held in a vertical position. Operating the pool vacuum when it is not immersed correctly could damage the unit and void the warranty.
- DO NOT use the pool vacuum without an intact filter cone in place. Using your pool vacuum without an intact filter cone in place will VOID your warranty.
- DO NOT leave the pool vacuum in the water when it is not in use.

- Ensure the charging cable is detached before the pool vacuum is deployed.
- 1) Bring your pool vacuum to the side of your pool / spa. Immerse the pool vacuum in water and turn the power switching knob clockwise to initiate operation.



Power indicator lights:

	4 lights ON	Up to 75 minutes left.
	Last light blinks	Only 10-15 minutes of usage remains once the last light starts blinking.

**CAUTION!** Make sure the pool vacuum is always facing downwards when it is placed into the pool. Otherwise, it may bend the pole connector and damage it during the process.

- 2) To remove the pool vacuum from the pool / spa, lift the pool vacuum while pointing it downwards. Water is going to escape via the pole, draining valve on the canister and bottom of the pool vacuum. Turn the pool vacuum to have the draining valve face to the pool to drain the water.

**CAUTION!** Make sure the pool vacuum is always facing downwards when it is removed from the pool. Otherwise, the pole connector may be bent and damage the pool vacuum in the process.

- 3) Rinse the pool vacuum with fresh water after every use. DO NOT use any detergent.

## **CLEANING THE FILTER**

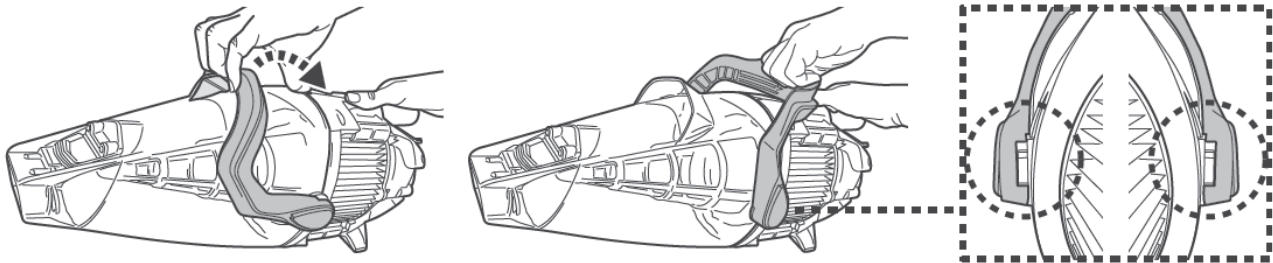
**WARNING!** Using the pool vacuum without a filter cone in place will VOID your warranty.

In order to maximize the cleaning efficiency, be sure to clean the cartridge filter/filter cone before and after each use.

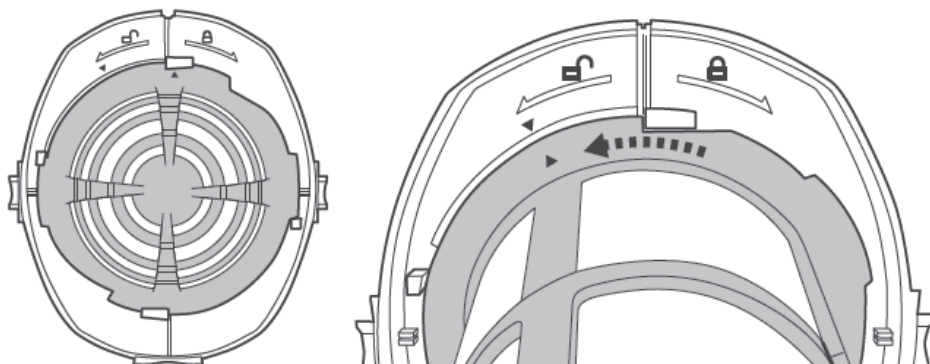
**CAUTION!** If the pool vacuum is charging, disconnect the external adaptor from the power source and detach the pool vacuum from the charging plug. Make sure the pool vacuum is OFF.

- **Cleaning the filter cone**

1. Place the pool vacuum on a stable surface.
2. Hold the pool vacuum and pry up the canister lever to the end to completely release the side locks.

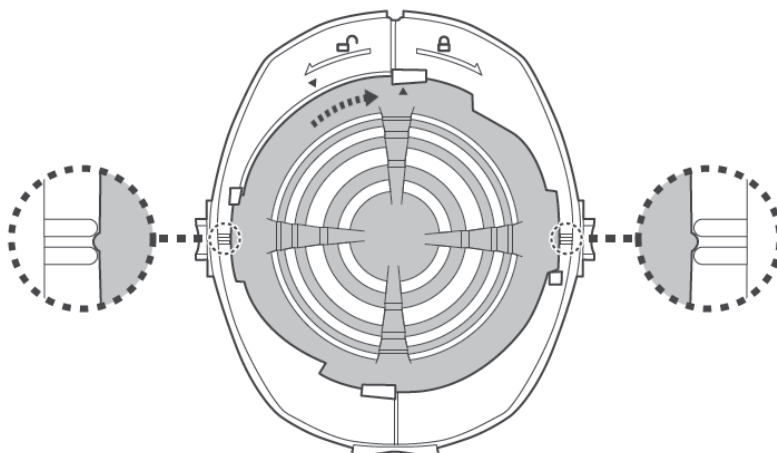


Detach the canister and turn the filter cone anticlockwise until the both triangular idents are aligned. Take the filter cone out of the cleaner.



**CAUTION!** Replace the damaged filter cone immediately before the next operation.

3. Clean out the debris and rinse the filter cone with water. If brushing is deemed necessary, use only a soft brush to clean the filter cone gently and carefully.
4. Reverse the previous steps to re-assemble the filter cone. Turn the filter cone clockwise until its side tab is secured inside the notch on both sides as shown. You will hear a “click” sound.



5. Align and re-assemble the hood to the pool vacuum and make sure the lever is completely pushed down to the hood. You will hear a “click” sound.
- Clean the cartridge filter

Follow the instruction in “Cartridge filter setting” to detach cartridge filter.

Inspect everything for damage and wear. If you find any damages or tears, it’s time to replace the cartridge.

It is recommended to wash the cartridge filter with a water jet after each pool cleaning cycle. Spray at an angle to get rid of the debris between the pleats of the cartridge filter. Never use a pressure washer as it will damage the cartridges. If the cartridge is really dirty, soak it in water with detergent for 2-3 hours, then rinse it with a water jet. If brushing is deemed necessary, use only a soft brush to clean it carefully and gently to avoid any damages.

## **MAINTENANCE & STORAGE**

### **NOTE:**

1. Be sure to clean and dry the areas around the charging port and charging pins after every use to avoid the forming of stains (byproduct of a natural chemical reaction between electric current and water). Otherwise, the stains can be removed by light scrubbing with a cotton bud soaked with juice of lemon or vinegar.
2. Battery discharges on its own during storage. Make sure to charge the pool vacuum to about 30% to 50% of the battery capacity before it is stored.
3. You must re-charge the battery at least once every three months when it is not in use.
  - Unplug the external adaptor from socket and then unplug the adapter jack from the charging plug.
  - Detach accessories from the pool vacuum. If necessary, rinse the pool vacuum and accessories with fresh water. DO NOT use detergent.
  - Make sure to drain the water from the unit, handle and pole connector.
  - Use a damp cloth to clean and dry the pool vacuum and its accessories.
  - Store them in a well-ventilated area away from the sunlight, children, heat, ignition sources, and pool chemicals. Ambient temperature for storage should be 10°C – 25°C (50°F – 77°F). NOTE: A higher temperature may reduce the battery life during storage.

### **WARNING!**

- Never attempt in any way to disassemble the pool vacuum.
- Under no circumstances should you attempt to disassemble the pool vacuum and replace the impeller, motor and battery by yourself.

### **CAUTION!**

- Excessive heat can damage the battery and reduce its lifespan as a result.

Consult your dealer regarding battery replacement if the following happens:

- Battery does not charge fully.
- Battery operation time is noticeably reduced. Observe and record the run times of the first few operations (on a full charge). Use these run times as a reference point for comparison with run times in the future.
- The battery must be removed from the pool vacuum before it is scrapped.

- The pool vacuum must be disconnected from the supply mains when removing the battery.
  - The battery is to be disposed safely and according to local ordinances or regulations.
- NOTE: Incorrect maintenance may reduce the battery life and affect its capacity as a result.

## **BATTERY DISPOSAL** (To be carried out by an authorized technician)

Your pool vacuum battery is a maintenance-free rechargeable lithium-ion battery pack, which must be disposed properly. Recycling is required; please contact your local authority for information.

### **WARNING!** Never attempt to disassemble a battery pack

- Remove all personal items such as rings, bracelets, necklaces and watches when the battery pack is unwired from the pool vacuum.
- A battery can produce a short circuit current high enough to weld a ring (or similar item) to metal, causing a severe burn in the process.
- Wear complete eye protection, gloves and protective clothing when the battery pack is being removed.
- Avoid touching the wires altogether and avoid allowing them to make contact with any metal items, which could cause sparking and/or short circuit the battery.
- Never smoke or allow a spark or flame in the vicinity of the battery or the pool vacuum.
- Do not expose the battery to fire or intense heat as this may result in an explosion.

### **CAUTION!**

If a battery leak occurs, avoid contact with the leaking fluids and place the damaged battery in a plastic bag.

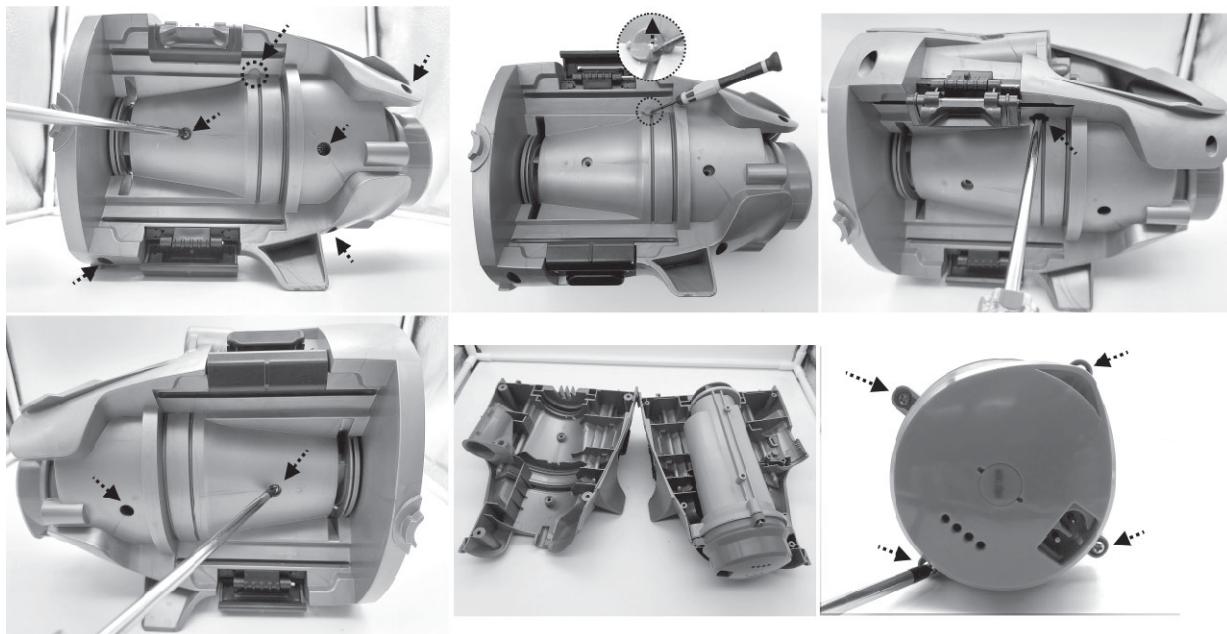
- If leaking fluids come in contact with skin and clothing, wash immediately with plenty of soap and water.
- If leaking fluids come in contact with eyes, immediately flush eyes with cool running water for at least 15 minutes and do not rub them. Seek medical attention as soon as possible.



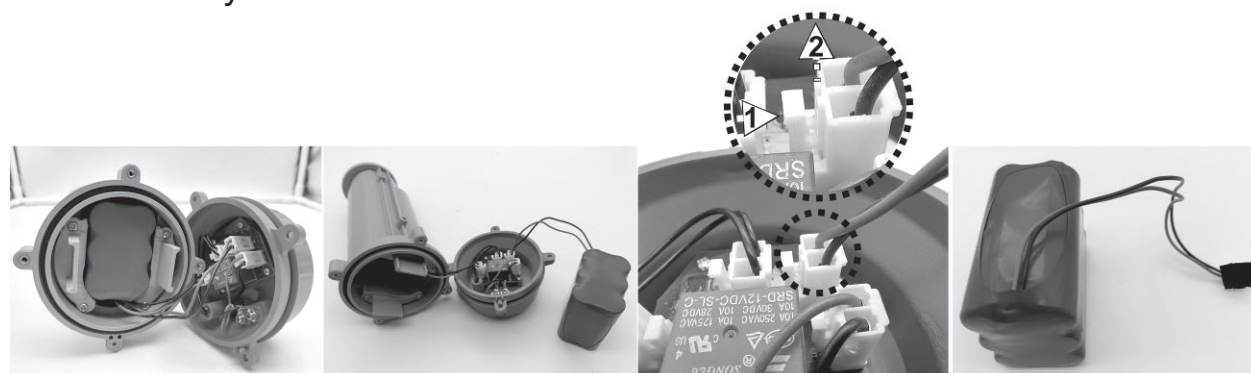
How to remove the battery pack for battery disposal only (To be done by authorized technician)

Recommended tools (not included): Philips screwdriver

1. Use Philips screwdriver to unfasten all screws on the body. Pay attention that it needs to detach the small cap to locate the screw on the top of the left body. Separate the body halves to expose the main unit. Use screwdriver to unfasten the screws on the front cover of the main unit. Remove the cover and expose inside.



2. Pull out the battery and locate its wire connector. Press the clip of the wire connector and detach it. **NOTE:** Wrap the wire connector of the battery immediately with insulating tape in order to avoid short circuit caused by contact of both wire terminals.



# TROUBLESHOOTING

Problem	Possible Cause	Solution
Pool vacuum does not capture debris	Battery is running out	Charge the battery again.
	Impeller is jammed	Power off the pool vacuum and visually check the gap in the middle of the pool vacuum to see if the impeller is jammed by large debris. If possible, use a small tool to remove the debris carefully. If necessary, contact your dealer for further instructions. <b>WARNING!</b> Make sure the pool vacuum is powered off when the unit is being serviced.
	Impeller is broken	Contact your dealer for impeller replacement.
	Canister is full	Empty the canister.
	Cartridge filter is not in NORMAL position	Shift the cartridge filter to the NORMAL position or even detach the cartridge filter.
Debris escapes from the canister	Suction nozzle flap is broken	Suction nozzle flap works like a door to prevent debris from escaping from the canister. Replace a new nozzle flap.
	Filter net of water draining valve is broken	Replace a new filter net.
Debris goes side the filter cone	Filter cone is damaged	Replace with a new filter cone.
Fine debris escapes from the cleaner	Cartridge filter is not in FINE position	Shift the cartridge filter to the FINE position.
	Cartridge filter is broken	Replace a new cartridge filter
Telescopic pole connector cannot be secured in assembly	Side pin on pole connector is broken	Replace with a new pole connector.
Pool vacuum cannot be charged / recharged	Battery is damaged	Contact dealer for battery replacement. <b>WARNING!</b> DO NOT open the pool vacuum and replace the battery by yourself. This could result in severe or fatal injury and the warranty will be voided as a result.
	Charging plug is not correctly connected to external adaptor and pool vacuum	Refer to instruction manual and connect the charging accessories correctly.
	External adaptor damaged	Contact dealer for replacement. <b>WARNING!</b> Using the wrong external adaptor will result in damaging the pool vacuum / battery and voiding the warranty as a result.
Charging time is longer than advertised	Stained charging pins	The stains can be removed by using a cotton bud soaked with juice of lemon or vinegar to clean the areas around the charging pins.
Operation time is shorter as expected	Battery is not fully charged	Charge the pool vacuum for at least 6 hrs. NOTE: if any stains are found on the charging pins, remove them by using a cotton bud soaked with lemon juice or vinegar

## Environmental Programmes, WEEE European Directive



Please respect the European Union regulations and help to protect the environment. Return non-working electrical equipment to a facility appointed by your municipality that properly recycles electrical and electronic equipment. Do not dispose them in unsorted waste bins. For items containing removable batteries, remove batteries before disposing of the product.



© 2023 Kokido Development Ltd. 23002016  
All rights reserved. No part of this document may be reproduced or transmitted in any form or by any means, electronic, mechanical, photocopying, recording, or otherwise, without prior written permission of Kokido Development Ltd. (V2)



We reserve the right to change all or part of the features of the articles or contents of this document, without prior notice.  
International patents pending

Support Email: [support@kokido.com](mailto:support@kokido.com)  
Toll-Free Voicemail: (866) 683-7672



## SAVE THESE INSTRUCTIONS

Manufacturer: Kokido Development Limited, Unit 1319, Sunbeam Centre, 27 Shing Yip Street, Kwun Tong, Kowloon, HK  
EV75BX/AMZ/US

Download Instruction Manual & Videos:

QR Code:



<https://shop.kokido.com/pages/support-xtrovac-710>

Made in China