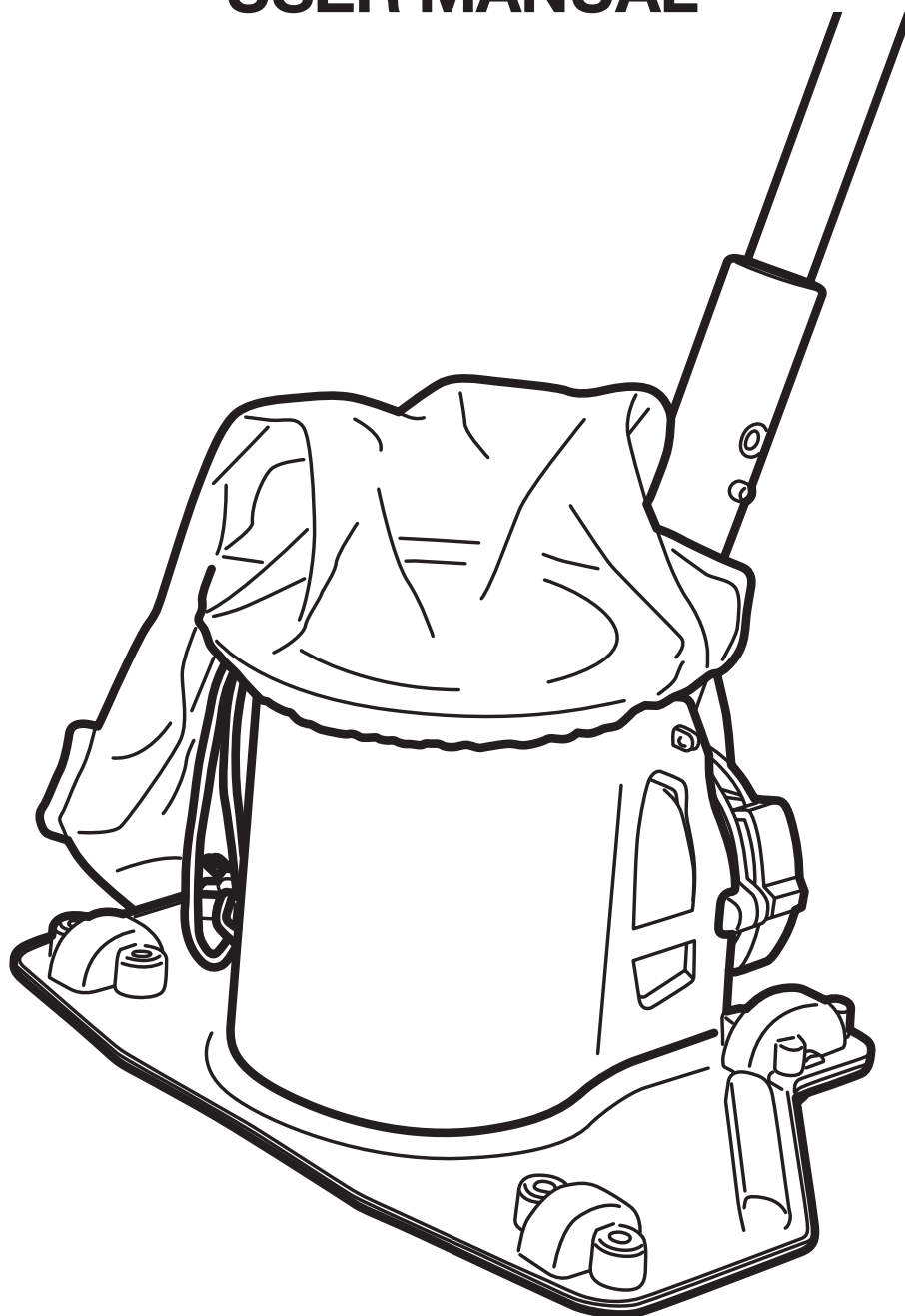


Pool Vacuum Cleaner

# xtrovac 410

## USER MANUAL




**KOKIDO**

# **SAFETY WARNINGS & INSTRUCTIONS**

Information contained in this Instruction Manual will help you operate the item safely, protect yourself and others from hazards, and prevent damage to the device and other property.

## **SAVE THESE INSTRUCTIONS**

### **WARNING!**

- This is not a TOY. Children should be kept out of reach from this pool vacuum and its accessories.
- Never allow children to operate this product.
- This appliance is not intended for use by persons with reduced physical, sensory, mental capabilities, or a lack of experience and knowledge, unless they are given supervision or instructions concerning the safe use of the appliance and understand the hazards involved by a person responsible for their safety.
- Children must not play with this product.
- Cleaning and user maintenance must not be carried out by children.
- Make sure the pool vacuum is fully immersed in water before initiating operation. The minimum water level required to operate the pool vacuum must cover the entire pool vacuum. Operating the pool vacuum when it is not immersed in the water correctly could damage the unit and void the warranty as a result.
- Maximum operating depth in water is 3 meters (9.8 ft.).
- Operating water temperature: 5°C (41°F) - 35°C (95°F).
-  Detachable supply unit (external adaptor).
- The pool vacuum is only to be recharged with external adaptor and charging cable delivered with this product.
- For the purposes of recharging the battery, only use the detachable supply unit (external adaptor model number: DSS12D-0841000-B / DSS12D-0841000-C / DSS12D-0841000-D/ LX084100U) that provided with this pool vacuum to charge the battery.
- Connect the external adaptor to a power source through a residential current device (RCD) / a ground fault circuit interrupter (GFCI). If in doubt, consult a qualified professional electrician.
- Do not use this pool vacuum if any damage is detected.
- Replace damaged parts with ones that are certified by the distributor or manufacturer.
- Turn off the power, disconnect the external adaptor from the power source, and unplug the external adaptor from the charging cable before detaching the pool vacuum from the charging cable.
- Disconnect the pool vacuum from the supply mains and make sure the pool vacuum is powered OFF prior to servicing it such as cleaning the filter bag.
- Do not attempt to replace the installed rechargeable Li-ion battery pack.
- DO NOT handle the pool vacuum, external adaptor and charging cable

while it is charging with wet limbs and without shoes.

- You should not operate this pool vacuum when people/pets are present in the water.
- DO NOT use this pool vacuum without an intact filter bag in place, otherwise your warranty will be voided as a result.
- Suction entrapment hazard: This pool vacuum generates suction. Do not allow hair, body, and any loose parts of your clothing to make contact with the suction point of the pool vacuum during its operation.
- Never insert body parts, clothing, and other objects into the openings and moving parts of the pool vacuum.
- DO NOT use this pool vacuum to pick up any toxic substance, flammable, and combustible liquids (i.e. gasoline) in the presence of explosive or flammable fumes.
- Under no circumstances should you attempt to disassemble the pool vacuum and replace the impeller, motor, and battery by yourself.
- Never insert fingers and any object to touch the impeller.
- The built-in battery must be removed by a skilled technician before it is scrapped.
- This pool vacuum contains a battery that are only to be removed by skilled persons.
- The pool vacuum must be disconnected from the supply mains as the battery is removed.
- For details regarding battery recycling/disposal, refer to the section "BATTERY DISPOSAL" in this manual and contact your local authorities for more information.
- The battery must be disposed safely in accordance with local ordinances or regulations.
  
- External adaptor and charging cable:
  - Never use the external adaptor and charging cable for anything other than charging the battery of the pool vacuum that is supplied in the same pack.
  - The external adaptor and charging cable should not be used outdoors, nor should it be exposed to rain, humidity, any liquid or heat.
  - The transformer (or external adaptor) is to be located outside zone 1.
  - Keep the external adaptor and charging cable out of reach of children.
  - Never use the external adaptor and charging cable if any damage is detected.
  - DO NOT handle the external adaptor and charging cable with wet hands.
  - Keep the external adaptor disconnected from power when it is not in use.
  - Never attempt to open the external adaptor and charging cable.

- If the supply cord of the external adaptor is damaged, the external adaptor must be replaced by the manufacturer or its service agent to prevent hazards of any kind.
- Make sure the pool vacuum and the charging cable are completely dry before charging.

### **CAUTION!**

- This pool vacuum is designed for underwater use only; it is not an all-purpose vacuum cleaner. DO NOT attempt to use it to clean anything other than your pool.
- Use only original accessories delivered with this product.
- DO NOT use this pool vacuum right after pool-shocking. It is recommended to first leave the pool circulating for at least 24-48 hours.
- If you are planning on using the pool vacuum in a saltwater pool, make sure all salt are dissolved before placing it in the water.
- DO NOT use this pool vacuum with another automatic cleaner/cleaner simultaneously in the pool.
- Avoid picking up hard, sharp objects with this product as they may damage the pool vacuum and filter.
- To avoid damaging the external adaptor and charging cable, do not attempt to carry the pool vacuum by the cable of external adaptor/charging cable or pull the cable in hopes of disconnecting the external adaptor from the power source.
- Charge the pool vacuum indoors in a clean, dry area with good ventilation and away from sunlight.
- DO NOT leave the pool vacuum charged for over 10 hours.
- If the pool vacuum will not be used for an extended period, detach it from the charging cable and use a damp cloth to clean and dry the pool vacuum and its accessories. Make sure to charge the pool vacuum to about 30% to 50% of the battery capacity before it is stored. Store in a well-ventilated area away from sunlight, heat, ignition sources, pool chemicals, and children. Recharge the pool vacuum every three months.
- All actions concerning the disassembly of the main unit (i.e. battery disposal) can only be carried by an authorized technician.

**Above warnings and cautions are not intended to incorporate all possible instances for risks and / or severe injuries.** Pool / spa owners should always exercise extra caution and common sense when utilizing the product.

# GETTING STARTED

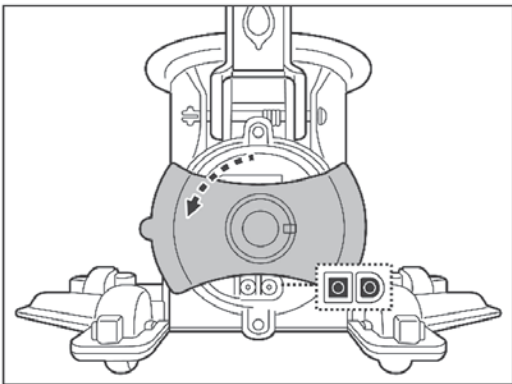
## *Charging The Battery*

**IMPORTANT NOTE:** Fully charge the pool vacuum (about 6 hrs) before using it for the first time.

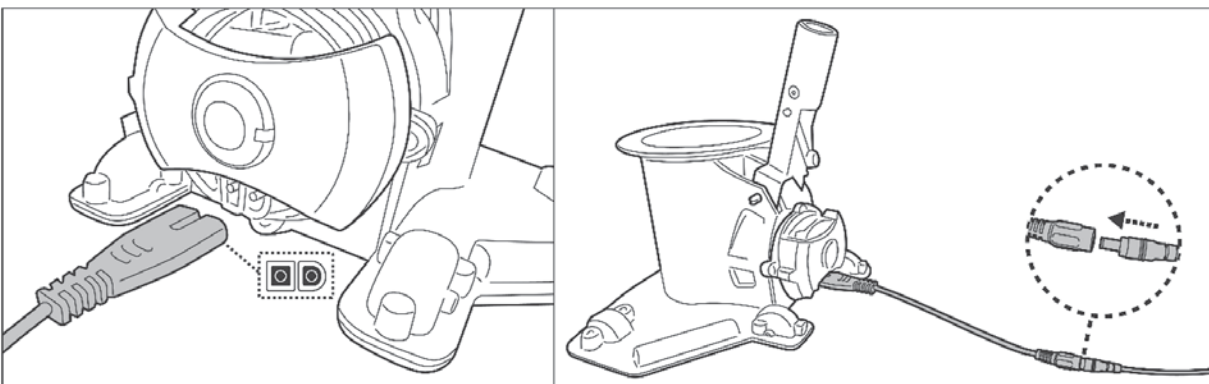
### **WARNING!**

- KEEP YOUR FINGERS AWAY FROM THE OPENING TO AVOID BEING HIT BY THE IMPELLER WHEN IT'S ON.
- Use only the original external adaptor and charging cable provided.
- Make sure the pool vacuum and the charging port are clean and dry before set-up and charging. (TIPS: use a cotton bud to dry the charging port and charging pins)
- The charging pins are waterproof. However, remnants of water in the port and around the pins could result in natural occurrence of stains (a byproduct of chemical reaction between water and electric currents). Otherwise, the stains can be removed by light scrubbing with a cotton bud soaked with juice of lemon or vinegar.

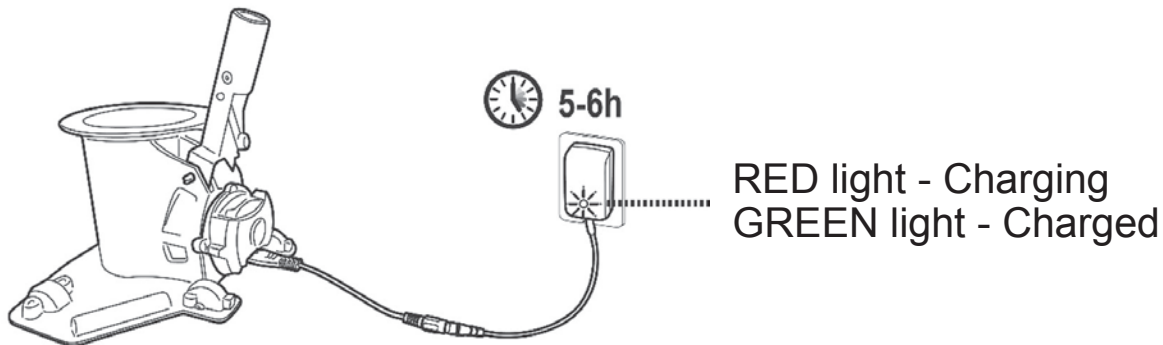
1. Place the unit on a flat surface. Set the pool vacuum to Power Off/Charging Mode by turning the switching knob anticlockwise until it clicks and completely exposes the charging port.



2. Align and attach the charging cable to the charging port. **WARNING!** Be sure not to invert the charging cable and ensure both the charging cable and charging port are clean and dry before charging them. TIPS: Use cotton bud to dry the charging port and pins. Connect the external adaptor's cable plug to the charging cable's port.



3. Connect the external adaptor to the power source. The indicator light on the external adaptor will turn red when the vacuum is charging and green when it is fully charged. Charge it for 5-6 hours for best performance.



- Immediately disconnect the external adaptor from the power source if you detect any of the following:
  - Offensive or unusual odor
  - Excessive heat
  - Deformation, cracks, leaks
  - Smoke
- 4. When charging is complete, disconnect the external adaptor from the power source and unplug the charging cable from the main unit.  
**WARNING!** Never leave the charging cable while the pool vacuum is in the water.

Normally the pool vacuum is designed to operate for up to 75 minutes on a full charge.  
Note: Empty the filter bag regularly. Excessive debris increases the burden to the motor and may shorten the operating time.

NOTE: Rechargeable lithium-ion battery is classified as a consumable item. It has a limited life and will gradually lose its capacity to hold a charge. Therefore, the running time of the pool vacuum will gradually reduce after repeated charging and discharging throughout its product life.

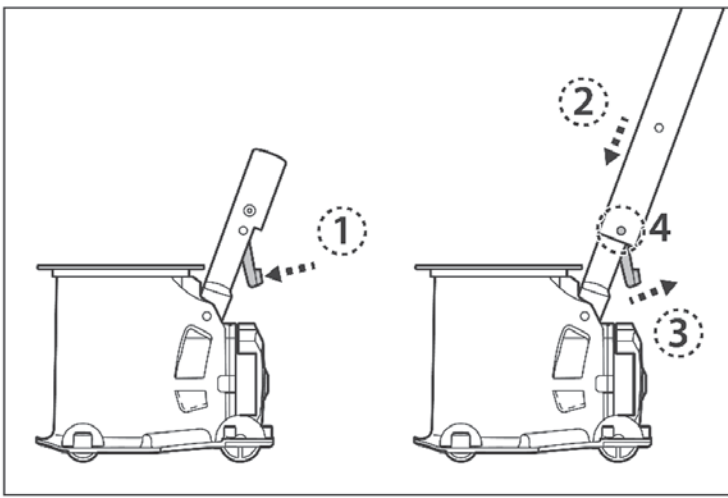
Once the lifespan of the battery reaches its end, refer to section “BATTERY DISPOSAL” for instructions regarding battery disposal.

NOTE: Let the pool vacuum rest for around 30 to 40 minutes before charging it again.

## ***Set-Up Before Use***

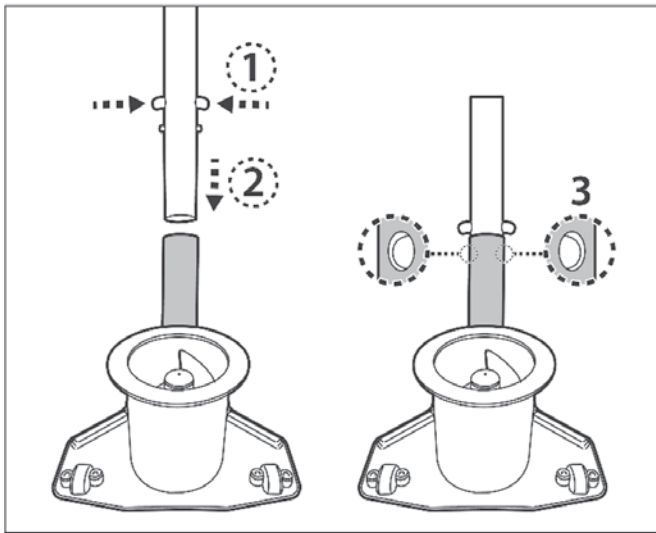
Telescopic pole (not provided) assembly (for EU & US only)

Press on the V-clip on the pole connector to retract its side pins. Slide the telescopic pole into the connector until it's locked in place by the side pins and holes and then release the V-clip.

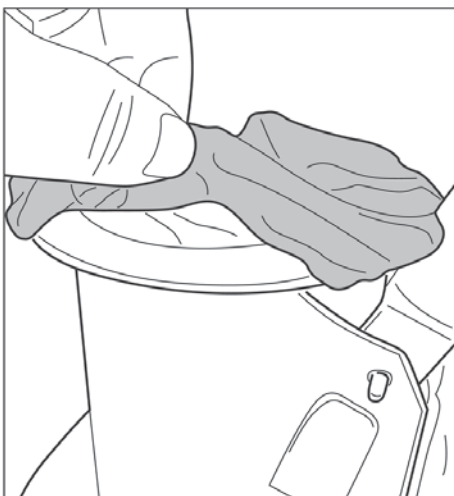


**Specific telescopic pole (not provided) assembly** (for Australia/New Zealand only)

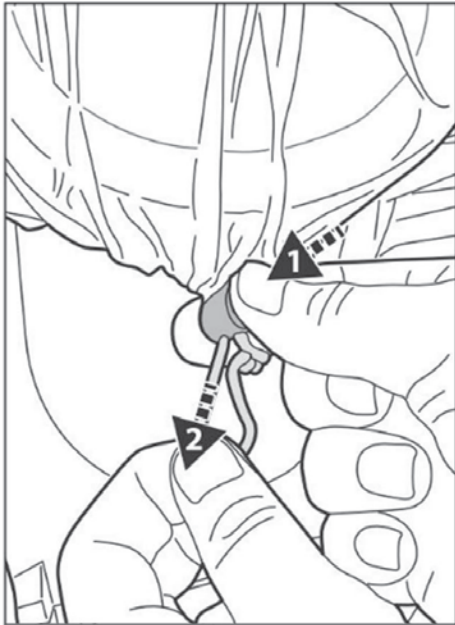
Press on the internal wishbone clip (preinstalled inside the specific telescopic pole) to retract its side pins. Slide the specific telescopic pole into the specific pole connector until it's locked in place by the side pins and holes.



**Filter Bag Assembly**

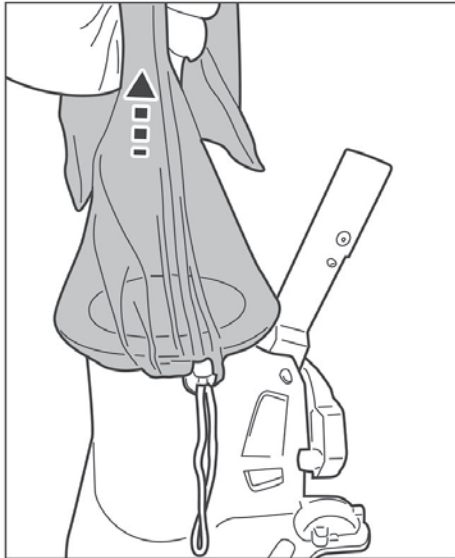


Spread the filter bag over the top opening of the main body of the pool vacuum. Make sure the cord of the bag is placed under the flange of the top opening.



While holding the cord, press on the cord fastener and push it under the flange.

TIPS: To secure the filter bag, when pushing the cord fastener under the flange, pull one cord instead of two cords as shown in diagram.

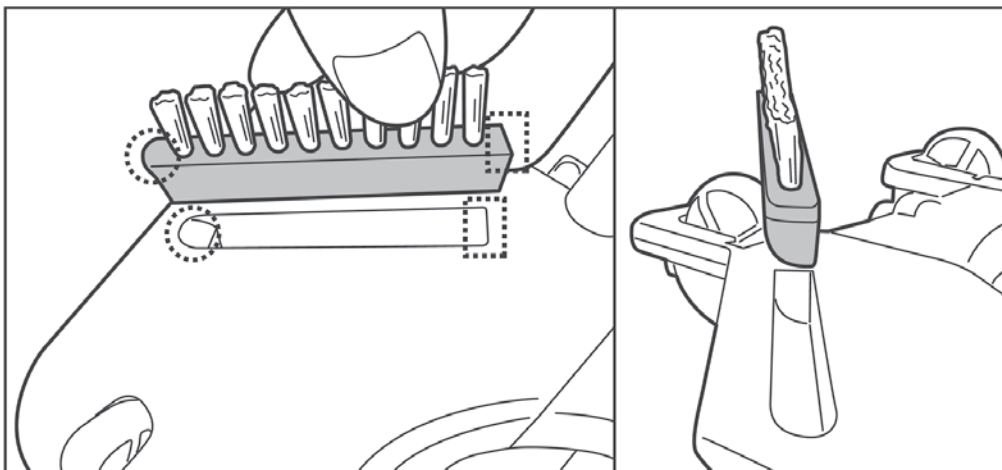


Lift up the bag to ensure it is totally secured before deploying the pool vacuum into water.

### Brush assembly

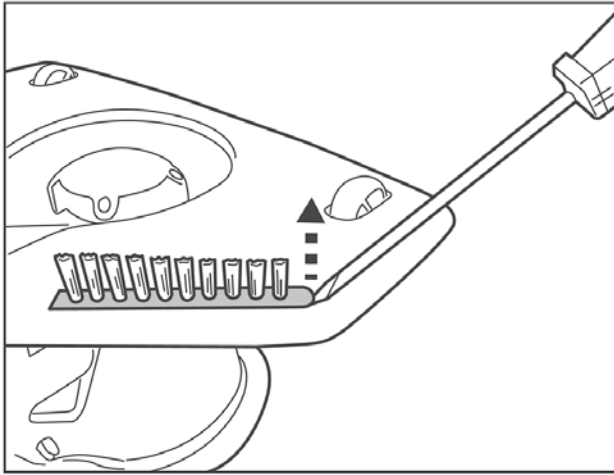
Align and insert all brushes into the notches at the underside of the pool vacuum

NOTE: the 2 brushes provided are not interchangeable. Select the brush according to the curvature and shape of the notch. Ensure the brushes are fitted properly.





To detach the brush, insert the tip of a small screwdriver into the corner notch and pry up the brush.



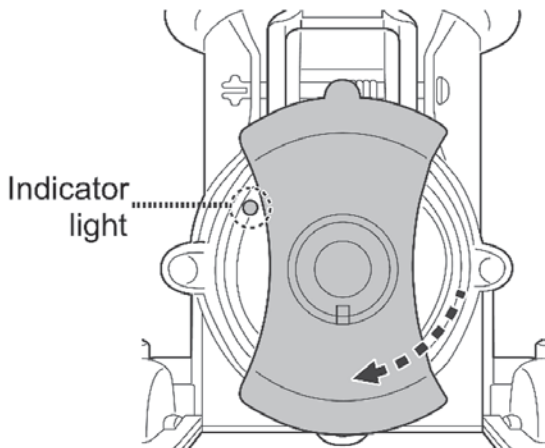
### ***Pool Preparation***

- If the liner is brittle, damaged, or wrinkled, contact a qualified professional to perform the necessary repairs or perform a liner replacement prior to using the pool vacuum.
- If you are using a saltwater pool, make sure all salt are dissolved before placing the pool vacuum into the water.

## **OPERATION**

**WARNING!** KEEP YOUR FINGERS AWAY FROM THE OPENING TO AVOID BEING HIT BY THE IMPELLER WHEN IT'S ON.

- 1) Bring your pool vacuum to the side of your pool. Turn the switching knob clockwise until it stops and clicks, and the power indicator at the top corner will light up. Immerse the pool vacuum into water. The indicator will begin flashing when about 10-15 minutes of working time remains.

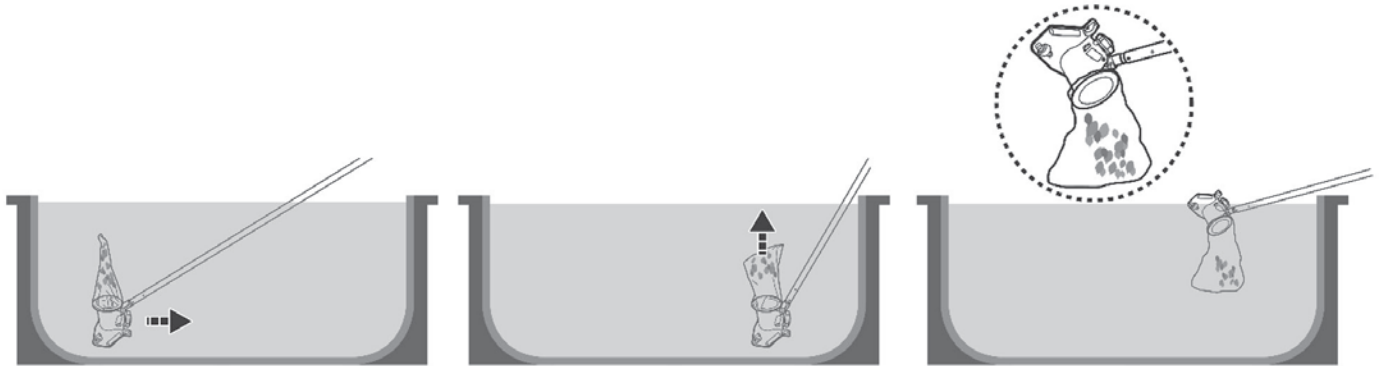


Light Color	
Green	Power On
Red	Impeller stops (impeller clogged)

To effectively vacuum up debris, ensure the pool vacuum is laid flat on the pool floor as you steer it back and forth in regular motion over debris patches for collection. Debris is collected from the front, side and back to fill up the filter bag.

Excess dirt and debris in the pool could clog the impeller, which would automatically stop to protect the motor, and the indicator light would turn red. Remove the vacuum from the pool and turn it off prior to unclogging and emptying the filter bag if it is full. To resume operation, turn the switching knob anticlockwise until Power Off is selected, then turn it clockwise to select Power On.

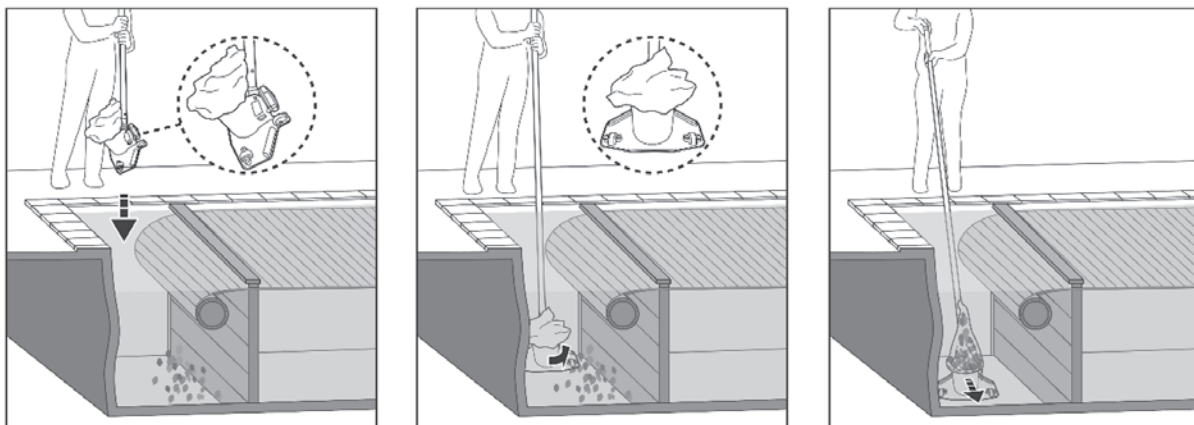
- 2) To retrieve the pool vacuum, bring it poolside and flip it upside down before lifting. This is done to prevent debris from scattering back into the pool and avoid bending the pole in the process.



- 3) Rinse the pool vacuum with fresh water after every use. DO NOT use any aggressive detergent.
- 4) Dry the charging port and pins thoroughly (TIPS: Use cotton bud to dry them).

### Vacuuming the Sunken Compartment of an Automatic Slatted Cover

**WARNING!** Pay attention to all safety warnings in the manual of your automatic slatted cover concerning this cleaning operation beforehand. The minimum distance required for the immersion of the vacuum into the sunken compartment is 24cm (9.5in).



- Remove the duckboard and unroll the pool slat according to instructions from your pool cover manual.
- Attach a telescopic pole / specific telescopic pole (not provided) to the pool vacuum as instructed in the manual.
- Power on the vacuum then align it as shown in the image above before immersion.
- Once the cleaner reaches the pool floor, parallel it to the pool length as shown above and start vacuuming the sunken compartment.

## **EMPTYING THE FILTER BAG**

**CAUTION!** Make sure the pool vacuum is OFF before cleaning the filter bag.

Washing regularly the filter bag helps to maintain a good suction and close contact between the vacuum and the pool floor during the operation.

Place the cleaner on a flat surface. Press on the cord fastener to release the bag from the main body. It is recommended to wash the filter bag with a water jet after each pool cleaning cycle. To eliminate stubborn dirt or scum on a clogged filter, wash the filter bag in a washing machine at 30°C (86°F) water temperature. If brushing is deemed necessary, use only a soft brush to clean it carefully and gently to avoid any damages.

## **MAINTENANCE & STORAGE**

### **NOTE:**

1. Be sure to clean and dry the areas around the charging port and water sensors after every use to avoid the forming of stains (byproduct of a natural chemical reaction between electric current and water). Otherwise, the stains can be removed by light scrubbing with a cotton bud soaked with juice of lemon or vinegar.
2. Battery discharges on its own during storage. Make sure to charge the pool vacuum to about 30% to 50% of the battery capacity before it is stored.
3. You must recharge the battery at least once every three months when it is not in use.
  - Unplug the external adaptor from the socket and the charging cable from the pool vacuum.
  - Detach accessories from the pool vacuum. If necessary, rinse the pool vacuum and accessories with fresh water. DO NOT use aggressive detergent.
  - Be sure to dry the pool vacuum before storage.
  - Use a damp cloth to clean and dry the pool vacuum and its accessories.
  - Store them in a well-ventilated area away from sunlight, heat, ignition sources, pool chemicals, and from children. Ambient temperature for storage should be 10°C - 25°C (50°F - 77°F). NOTE: A higher storage temperature may reduce the battery life.

### **WARNING!**

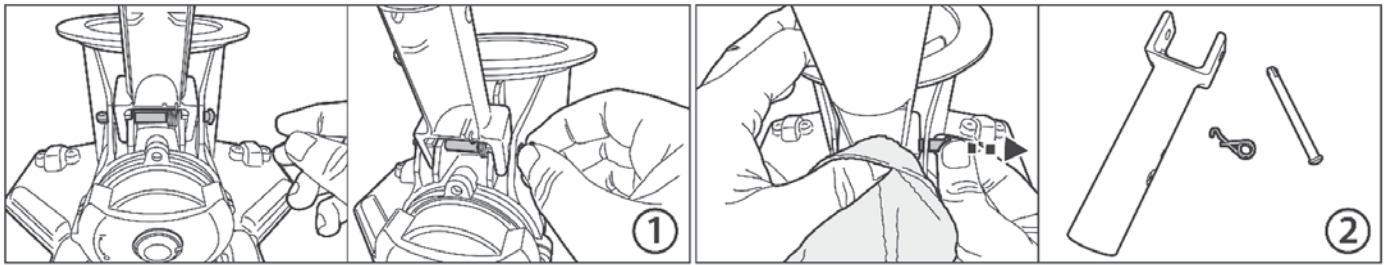
Under no circumstances should you attempt to disassemble the main unit and replace the impeller, motor, and battery by yourself.

### **CAUTION!**

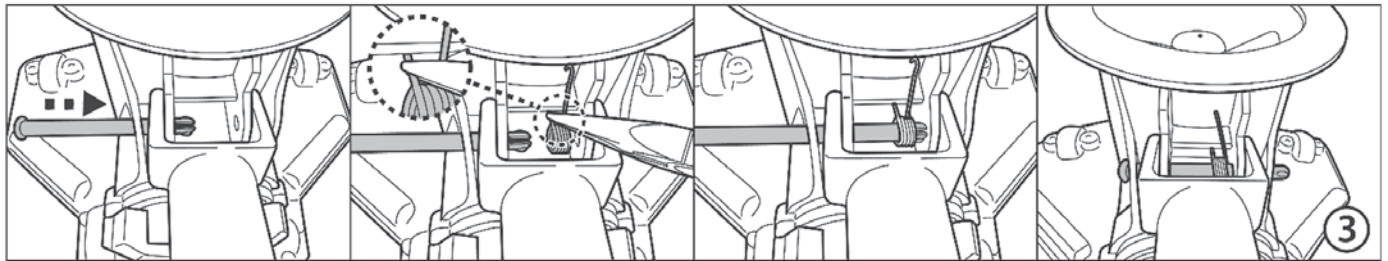
- Excessive heat can damage the battery and reduce the lifespan of your pool vacuum as a result.
- Consult your dealer regarding battery replacement if the following happens:
  - Battery does not charge fully.
  - Battery operation time is noticeably reduced. Observe and record the run times of the first few operations (on a full charge). Use these run times as a reference point for comparison with run times in the future.
- The battery must be removed from the pool vacuum before it is scrapped.
- The battery is to be disposed safely in accordance with local ordinances or regulations.

NOTE: Incorrect maintenance may reduce the battery life and affect its capacity as a result.

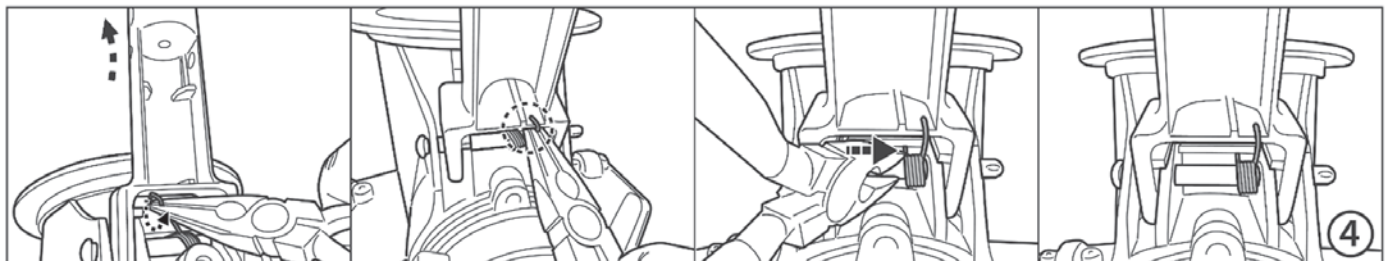
## Pole connector replacement



1. Grasp the top round end of the pin. Use a pair of pliers to help with removal if necessary.
2. As the torsion spring will eject as it leaves the pin, be sure to cover the spring with a piece of cloth as you pull the pin.



3. Insert the pin from one end and place the spring as shown with the help of a pair of pliers. Ensure the hook is on top and the other end is installed underneath the bench as shown. Align and insert the pin all the way through the spring hole and opposite hole.



4. Use a pair of pliers to pull the hook from the bottom of the connector, then fix it onto the connector as shown. Move the entire spring to the right.

## **BATTERY DISPOSAL** (To be carried out by authorized technician)

Your pool vacuum is equipped with a maintenance-free rechargeable lithium-ion battery pack, which must be disposed of properly. Recycling is required; please contact your local authority for more information.

### **WARNING!** Never attempt to disassemble a battery pack

- Remove all personal items such as rings, bracelets, necklaces, and watches when the battery pack is unwired from the pool vacuum.
- A battery can produce a short circuit current high enough to weld a ring (or similar item) to metal, causing a severe burn in the process.
- Wear complete eye protection, gloves, and protective clothing when the battery pack is being removed.
- Avoid touching the wires altogether and avoid contact between them and

- any metal items, which could cause sparking and/or short circuit the battery.
- Never smoke or allow a spark or flame in the vicinity of the battery or the pool vacuum.
- Do not expose the battery to fire or intense heat as this may result in an explosion.

### CAUTION!

If a battery leak occurs, avoid any contact with the leaking fluids and place the damaged battery in a plastic bag.

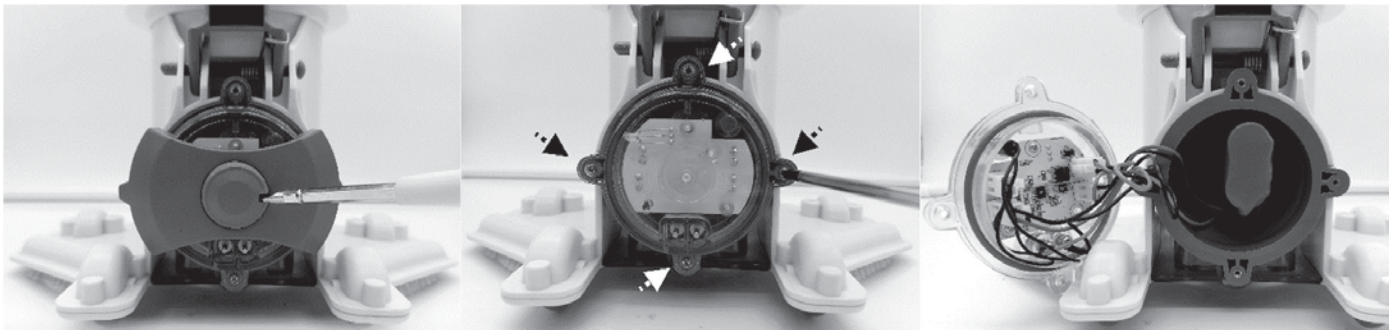
- If leaking fluids come in contact with skin and clothing, wash immediately with plenty of soap and water.
- If leaking fluids come in contact with eyes, do not rub them and immediately flush them with cool running water for at least 15 minutes. Seek medical attention as soon as possible.

### How to remove the battery pack(To be carried out by authorized technician)

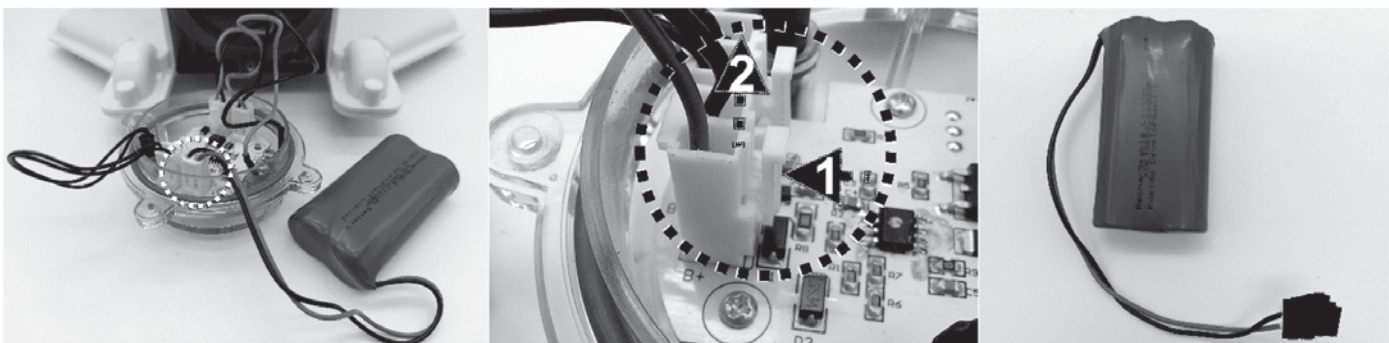
Recommended tools (not included): Screwdriver.

**WARNING!** The pool vacuum must be disconnected from the supply mains before removing the battery pack.

1. Place the pool vacuum on a flat surface. Use the screwdriver to pry open the small cover and unfasten the 4 screws. Remove the battery from the chamber.





2. Remove the battery from the unit and locate the battery cable connector. Press on the clip of the connector to pull it out. NOTE: Wrap the connector immediately with insulating tape in order to avoid any short circuit caused by the contact of both wire terminals.



# TROUBLESHOOTING

Problem	Possible Cause	Solution
Cleaner does not start working	Out of battery	Charge the pool vacuum.
Does not capture the debris / debris is leaked into the pool	Low battery	Charge the pool vacuum.
	Jammed impeller	Remove the pool vacuum from the water and turn the knob anticlockwise to shut it off. Check and see if the impeller is jammed by large debris. Remove the debris. If necessary, contact your dealer for further instructions. <b>WARNING!</b> Make sure the pool vacuum is off before the unit is serviced.
	Broken impeller	Contact your dealer for replacement.
	Filter bag is full / clogged	Clean the filter bag.
	Charging time is longer than advertised	Stained charging pins
Cleaner cannot be charged	Damaged battery	Contact dealer for battery replacement. <b>WARNING!</b> DO NOT replace the battery by yourself. This could result in severe or fatal injuries and the warranty will be voided as a result.
	Charging cable is not correctly connected to external adaptor and pool vacuum	Refer to instruction manual and connect the charging accessories correctly.
	External adaptor is out of order	Contact dealer for replacement. <b>WARNING!</b> Using the wrong external adaptor will result in damaging the pool vacuum / battery and voiding the warranty as a result.

## Environmental Programmes, WEEE European Directive

	Please respect the European Union regulations and help to protect the environment. Return non-working electrical equipment to a facility appointed by your municipality that properly recycles electrical and electronic equipment. Do not dispose them in unsorted waste bins. For items containing removable batteries, remove batteries before disposing of the product.
	© 2023 Kokido Development Ltd. All rights reserved. No part of this document may be reproduced or transmitted in any form or by any means, electronic, mechanical, photocopying, recording, or otherwise, without prior written permission of Kokido Development Ltd.



We reserve the right to change all or part of the features of the articles or contents of this document, without prior notice.  
International patents pending

Support Email: [support@kokido.com](mailto:support@kokido.com)  
Toll-Free Voicemail: (866) 683-7672



Download Instruction Manual & Videos:



<https://shop.kokido.com/pages/support-xtrovac-410>

## SAVE THESE INSTRUCTIONS

Manufacturer: Kokido Development Limited. Unit 1319, Sunbeam Centre,  
27 Shing Yip Street, Kwun Tong, Kowloon, HK  
EV40BX/23/AMZ/US

Made in China