

峰米菲涅尔超短焦抗光画框屏 100英寸

Formovie Fresnel Ultra-short-throw Anti-light Screen (100-inch)

使 用 说 明 书

Instruction manual

Formovie 峰米®

Directory

Disclaimer	20
Copyright	20
Note	20
Anti-light screen maintenance	20
Warning	20
Anti-light screen structure diagram	21
Conventional parameters	21
Tools preparation before installation	22
Standard accessories	22
Installation steps	24
(1) Clean the ground	24
(2) Connect the upper and lower inner frames	24
(3) Install corner brace on the left and right inner frames	25
(4) Assemble inner frame	25
(5) Install the stiffener	26
(6) Place the mat	26
(7) Remove the screen	27

(8) Spread the screen	27
(9) Place the fiber rod	28
(10) Place the tie rod	28
(11) Place the inner frame	29
(12) Install the rivet	29
(13) Tighten the screen	30
(14) Place the outer frame	30
(15) Connect the upper and lower outer frames	31
(16) Fix the upper and lower outer frames	31
(17) Install the corner protector on the left and right outer frames	32
(18) Install the left and right outer frames	32
(19) Fix the left and right outer frames	33
(20) Fasten the outer frame	33
(21) Install the hanging board	34
(22) Install the screen	34
(23) Adjust the height of screen	35
The name and content of poisonous and harmful material in products	36

Disclaimer

Formovie (Chongqing) Innovative Technology Co., Ltd. does not explicitly or implicitly make any representations or guarantees for the content of this document.

Formovie (Chongqing) Innovative Technology Co., Ltd. reserves the rights to revise this publication and modify the content of this document at any time without prior notification.

Please refer to your order requirements for the anti-light screen model.

Copyright

The copyright belongs to Formovie (Chongqing) Innovative Technology Co., Ltd.

Without the prior written permission from Formovie, no part of this publication may be copied, transmitted, or transcribed in any form, and no part may be stored in a retrieval system or translated into any language or computer language.

Note

- Thank you for selecting “Formovie Fresnel Ultra-short-throw Anti-light Screen 100-inch”.
- This product uses environment-friendly optical materials with 8 optical functional layers and "Fresnel optical structure" as the core, and all indicators have reached the international advanced level.
- With laser (or LED) ultra-short throw laser projector, it is not restricted by the ambient light, allowing you to enjoy the perfect picture quality of home theater at home.
- In order to fully understand the characteristics of this product and achieve the best results, please read this manual carefully before use, and please keep it for future reference.

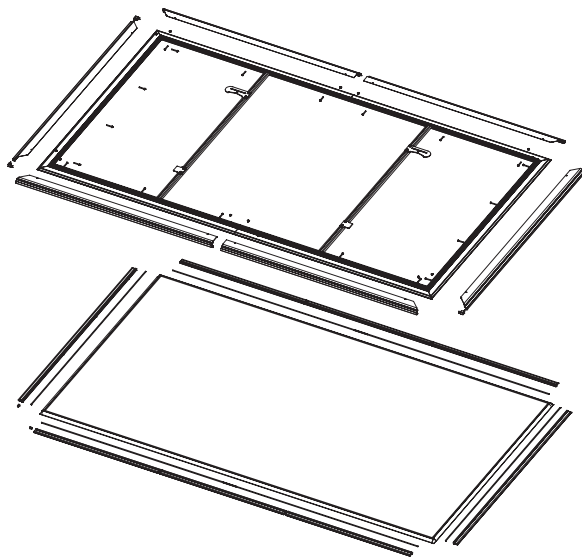
Anti-light screen maintenance

During use, you can use a dust-free soft cotton cloth dipped in absolute ethanol to gently wipe the anti-light screen and frame, or a dust-free soft cotton cloth to wipe dust and other dirt.

Warning

- Do not touch the anti-light screen with your hands or wipe it with a normal towel.
- Do not spill dirty water, oil stains and other contaminants on the anti-light screen.
- Do not place this product on an unstable cart, stand or table. If the product falls to the ground, it may cause serious damage and injury.
- Do not scratch or touch the anti-light screen with hard objects or directly contact the front of the anti-light screen with hard objects.
- Do not expose the anti-light screen to sunlight.
- Do not place the anti-light screen near flammable, explosive and other dangerous goods.

Anti-light screen structure diagram



Conventional parameters

Name	Formovie Fresnel Ultra-short-throw Anti-light Screen 100-inch				
Model	S10FFNN	Screen material	PET	Projection scale	16:9
Projection area	2214 × 1245mm	Net weight	12.4kg	Screen color	Grey
Dimensions of anti-screen	2232 × 1263 × 25mm	Gross weight	22.8kg	Color of frame	Mineral grey
Package dimensions	1660 × 415 × 245mm	Horizontal full viewing angle	50 ° ± 5 °	Gain	≥1.0

Tools preparation before installation



Tape × 1



Electric drill × 1



Woodworking pencil × 1



Screwdriver × 1



Hammer × 1

Standard accessories

Prior to installation, please check whether the following accessories are all present, if any item is missing, please contact us immediately: support@formovie.com.



Inner frame connecting corner brace × 4



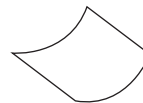
Inner frame connector × 2



Outer frame connector × 2



Anti-light screen × 1



Installation cloth × 1



Long bracket × 2



M6 × 6
Screw of inner frame connecting corner brace × 24



M4 × 10
Stiffener screw × 4
(Pre-installed in the stiffener)



ST3 × 6
Screw of outer frame × 14



Rivet nut × 20



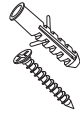
M4 × 30
Rivet for inner frame × 20



Short bracket × 2



Corner protector × 4



Expansion tube and matching screws × 2



M3 Allen key × 1



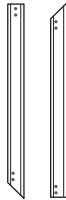
M4 Allen key × 1



Install gloves × 1



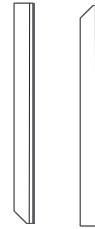
Left/right inner frame × 2



Top/bottom inner frame × 4



Left/right outer frame × 2



Top/bottom outer frame × 4



Top/bottom tie rod × 6



Left/right tie rod × 2



Top/bottom fiber rod × 4(Short)
Left/right fiber rod × 2(Long,
One of them is pre-installed in the screen,
as shown in the installation step 8.)



Slider × 2

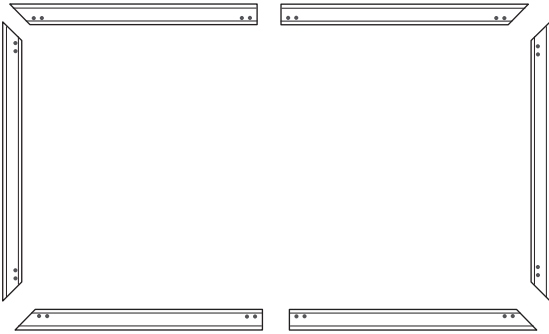


Stiffener × 2

Installation steps

(1) Clean the ground

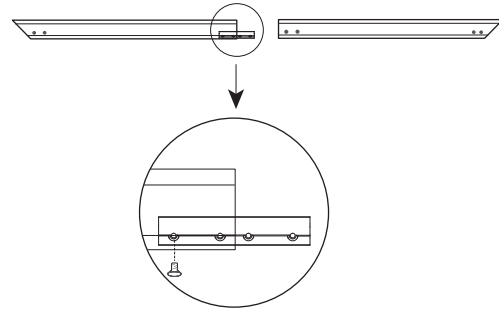
After cleaning the installation site, unpack and take out the aluminum alloy inner frame.



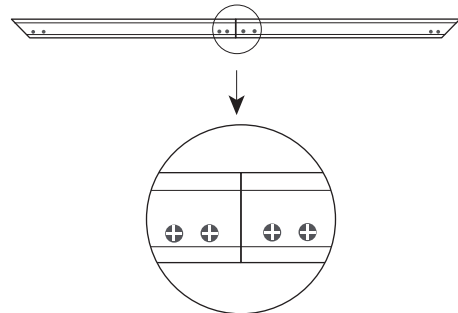
***Notes:** Clean the rubbish and foreign matter on the ground.

(2) Connect the upper and lower inner frames

Align the upper and lower inner frames (two segments for each) and put on the ground, insert the inner frame connector, align screw holes and screw them in.

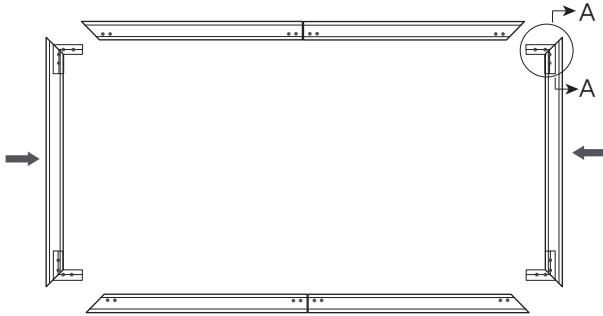


***Notes:** Align the inner frame with the screw hole, control the connecting gap to be less than 0.5mm, and tighten the screws.

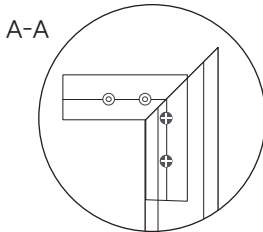


(3) Install corner brace on the left and right inner frames

Place the left and right inner frames on the mat, insert inner frame connecting corner brace at two bevel angles, align screw holes and screw them in.

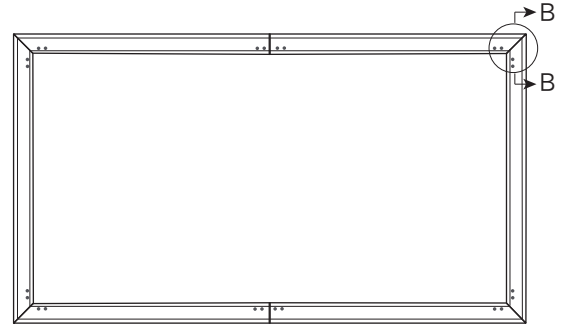


***Notes :** Align the inner frame with the screw hole, control the connecting gap to be less than 0.5mm, and tighten the screws.

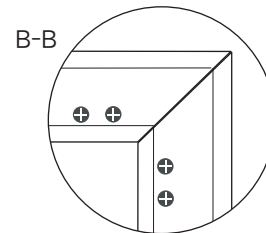


(4) Assemble inner frame

Align the left and right inner frames with the upper and lower connected inner frames, and parallelly and evenly push them into the upper and lower inner frames, align the screw holes and tighten all screws.

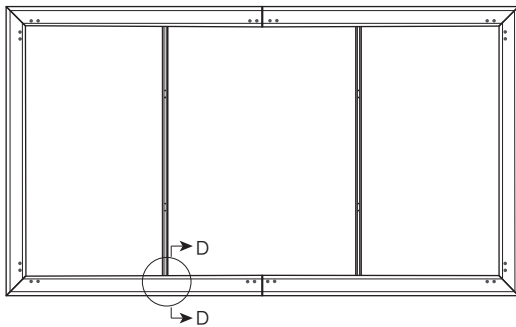
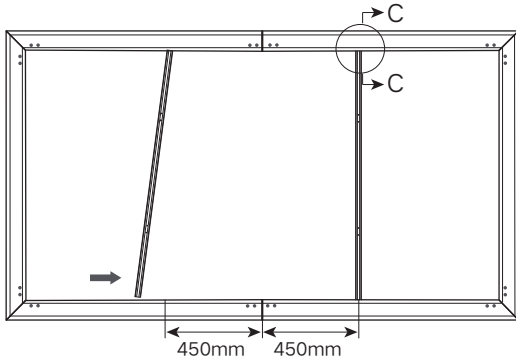


***Notes :** The inner frame should not be misaligned, and the gap should be less than 0.5mm.

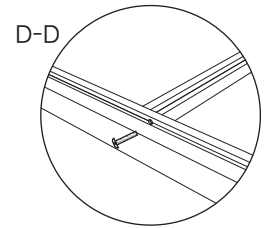
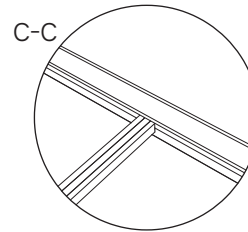


(5) Install the stiffener

Install two stiffeners on the left and right sides of the assembled inner frame center about 450mm apart, align the screw holes and tighten the screws.



***Notes :** Face the grooved side of the stiffener up and align with the inner frame, move it around slightly to align the screw hole and tighten the screw.



Fix M4 × 10 stiffener screw.

(6) Place the mat

Remove the assembled inner frame, clean the floor, and lay the mat on the floor.

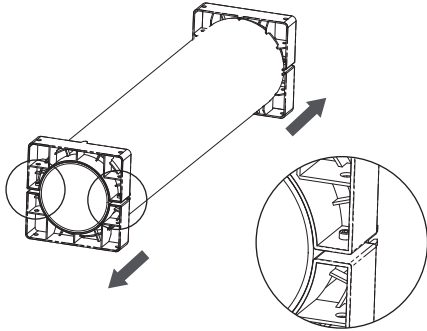


Installation mat

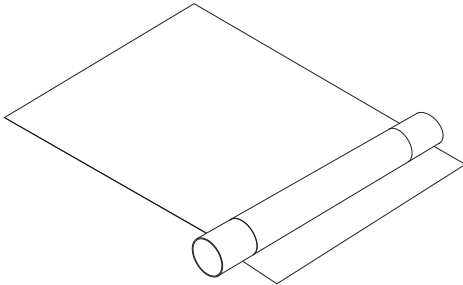
***Notes :** Clean the rubbish and foreign matter on the ground.

(7) Remove the screen

1. Take out the screen packaging, loosen the bracket screw and remove the bracket.



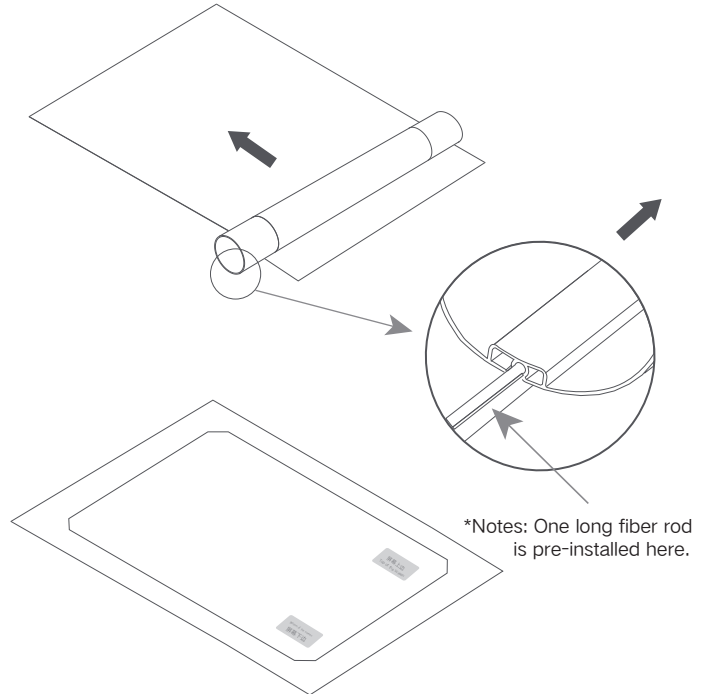
2. Pull the inner drum out of the outer drum and place it on the mat.



***Notes:** Remove the inner frame from the mat, check the mat for rubbish and foreign matter and gently pull out the inner drum.

(8) Spread the screen

Tear off the tape and push the inner drum from one side of the mat to the other until the screen is fully unfolded. Pull the screen with the fiber rod out of the inner drum, remove the inner drum.

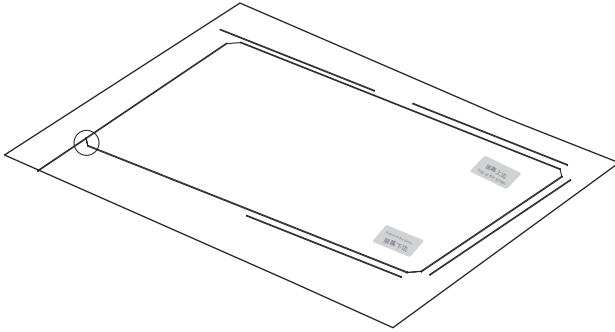


***Notes:** One long fiber rod is pre-installed here.

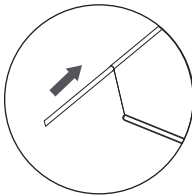
***Notes:** Check whether the mat and packing cotton at the bottom of the screen are completely isolated from the screen and the floor. If not, adjust it for complete isolation.

(9) Place the fiber rod

Divide four 1088mm fiber rods into two groups, respectively pass through the lining cloth of the screen pass the other two 1209mm fiber rods through the left and right black edges respectively.

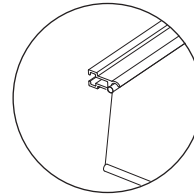
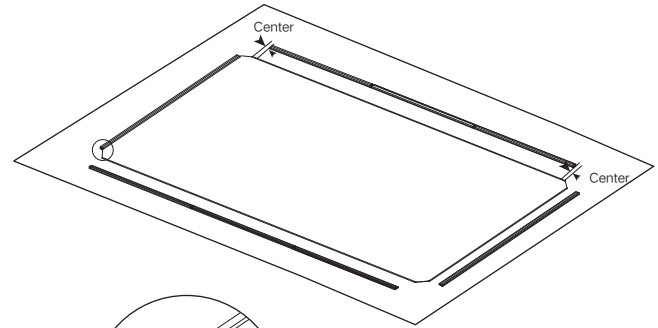


***Notes:** Place fiber rods to flush with the edge.



(10) Place the tie rod

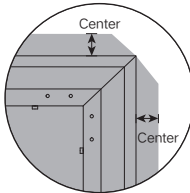
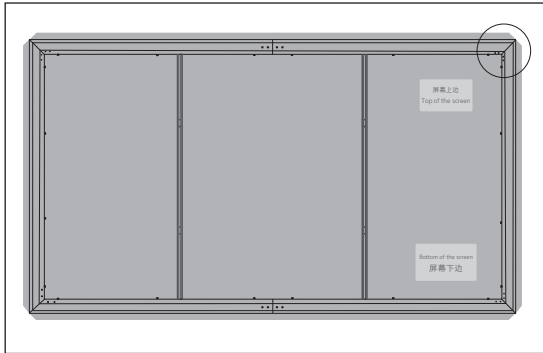
Divide six 702mm tie rods into two groups, and put three rods in each group into the fiber rod wrapped with black edges, with one group for each; Then put the other two 1137mm tie rods into the left and right fiber rods wrapped with black edges.



***Notes:** Center four assembled tie rods on four black edges corresponding to the screen.

(11) Place the inner frame

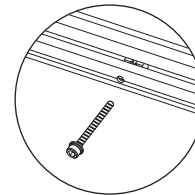
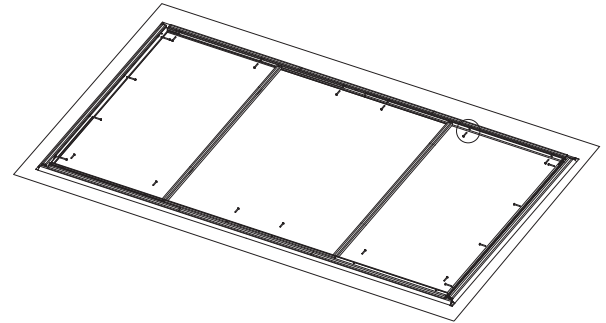
Face up assembled aluminum inner frame with screw hole, and horizontally center on the back of the anti-light screen surface.



***Notes :** Be sure to check the placement of the inner frame, with four edges centered on the screen.

(12) Install the rivet

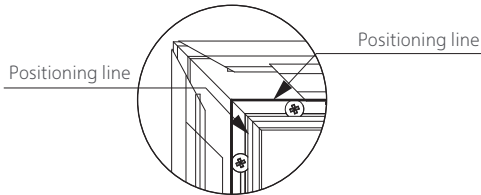
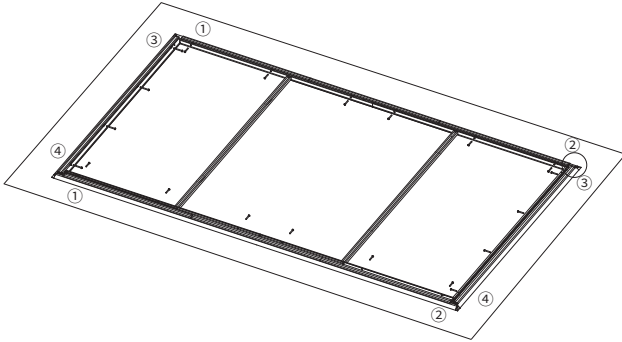
Flip the tie rod and cloth along the edge of the inner frame and place it on the inner frame. Manually adjust the rivet nut on each tie rod to align with the rivet hole on the inner frame and screw the rivet.。



***Notes :** Keep the tie rod center on the edge of the screen when moving and adjusting rivets.

(13) Tighten the screen

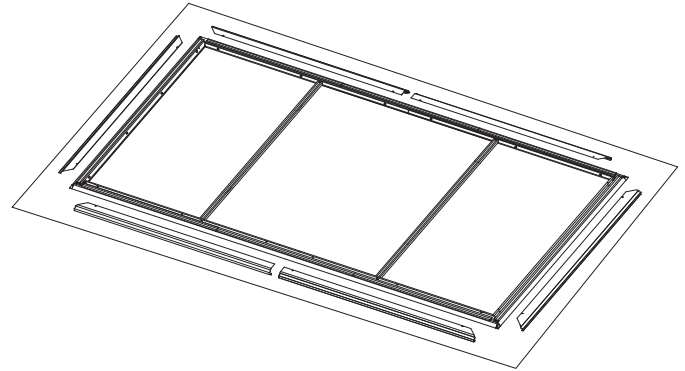
Clockwise tighten rivets with a screwdriver one by one in following the tightening sequence and tension the entire screen.



***Notes :** First adjust eight rivets on the four corners of the screen to the first positioning line on the inner frame, and then adjust all rivets to the first positioning line.

(14) Place the outer frame

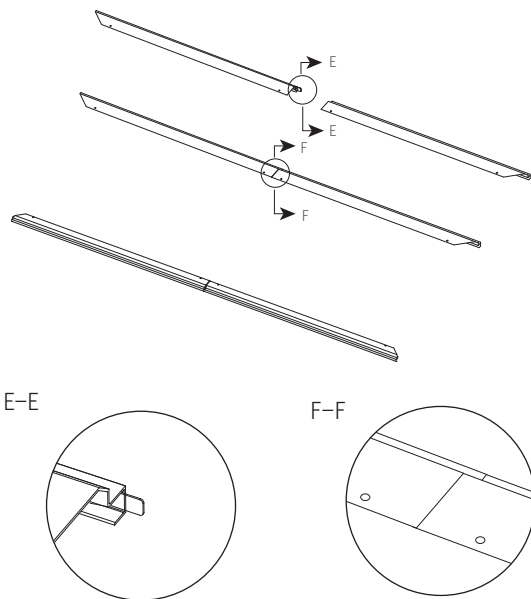
Place the outer frame along the outline of the inner frame in their respective order.



***Notes :** Place the outer frame with LOGO at the bottom of the screen.

(15) Connect the upper and lower outer frames

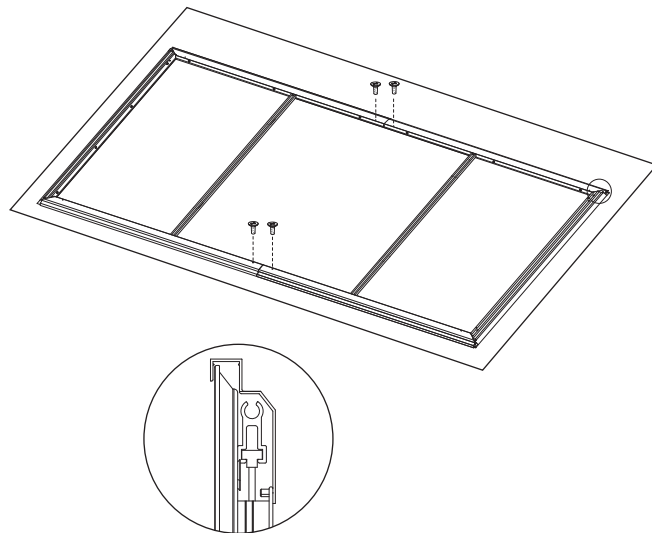
Insert the outer frame connector at one end of the middle section of the upper (lower) outer frame, and then insert connector into the other section to connect two sections of the outer frame together.



***Notes:** Check whether the connector is correctly inserted into the groove of the outer frame. If not, adjust the connector until it is inserted in place.

(16) Fix the upper and lower outer frames

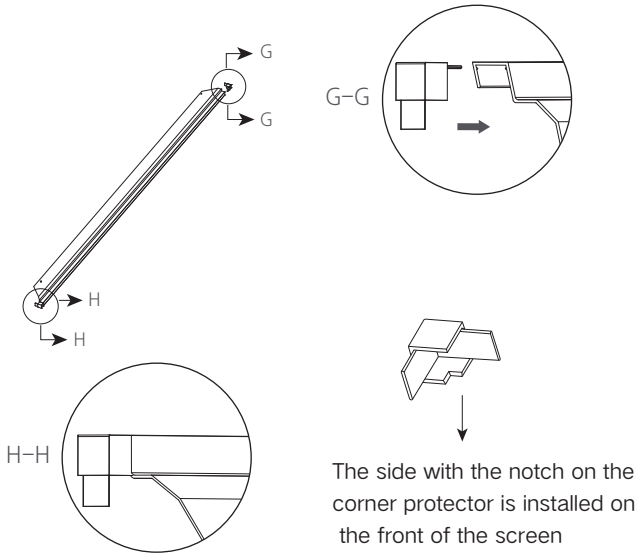
Cover the upper (lower) outer frame on the inner frame and push it to the end, then align the screw holes on the inner and outer frame, and screw them on. But do not tighten them, so as to adjust the gap of the outer frame.



***Notes:** Check whether the edges of the outer frame are aligned with those of the inner frame. If not, adjust and align it.

(17) Install the corner protector on the left and right outer frames

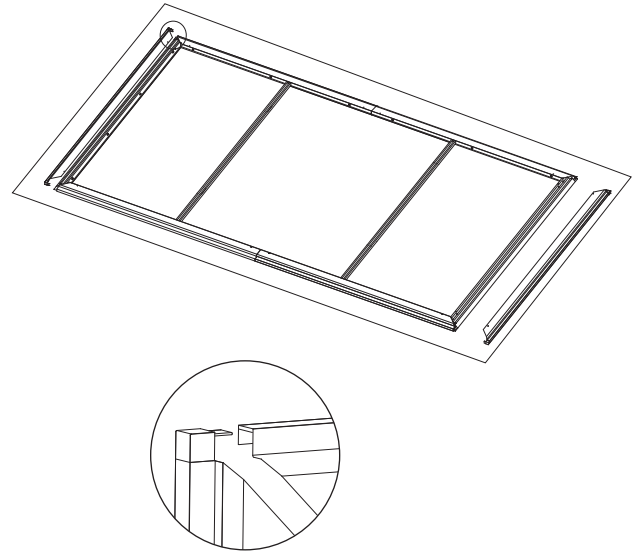
Divide four corner protectors into two groups, distinguish both sides and insert into the groove of outer frame from the oblique ends of left and right outer frame, with one for each end.



***Notes :** Check the front and back sides of corner protectors for correctness and mounting support of corner protectors for inserting into the groove of outer frame. If not, adjust it correctly.

(18) Install the left and right outer frames

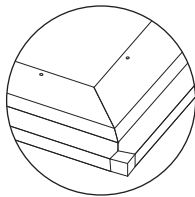
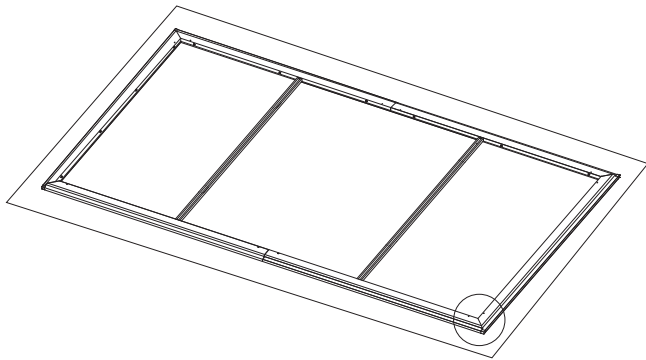
Align the left (right) outer frame with corner protectors with preliminary fixed upper and lower outer frames, and parallelly push into the position aligned with the inner frame along the surface of inner frame.



***Notes :** Align mounting support of corner protectors with the grooves of upper and lower outer frames. If they are misaligned or misplaced, adjust them correctly.

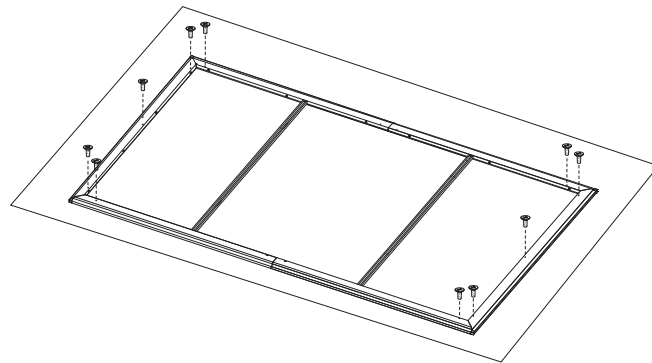
(19) Fix the left and right outer frames

Push the left and right outer frames to align with the inner frames, then align the screw holes and tighten them.



(20) Fasten the outer frame

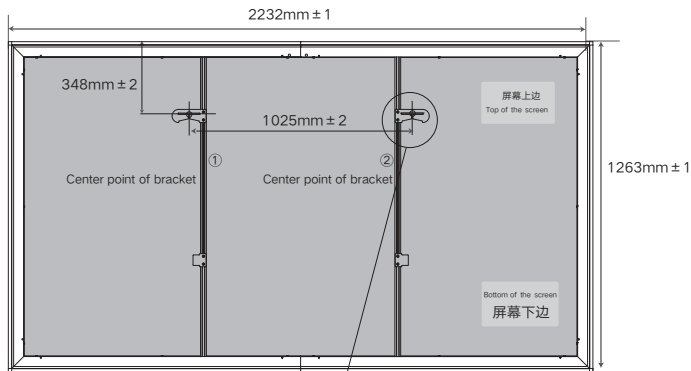
After evenly adjusting the gaps between four corners of the outer frame and the corner protector, tighten all the fixing screws until they are fully fastened.



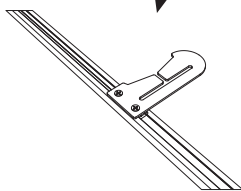
***Notes :** Check four corners and the gaps of corner protectors. If the gaps are uneven, tap the frame several times with the palm of your hand in the direction you want to move until the gaps are even.

(21) Install the hanging board

Unscrew the screws on the slider in the stiffener groove, and respectively fix two long hanging boards outwards above the screen and the short hanging board outwards below the screen.

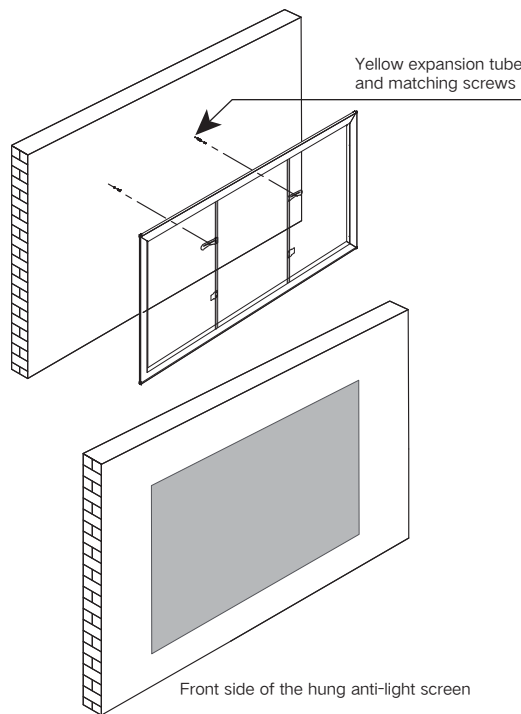


Schematic diagram of installation of anti-light screen bracket

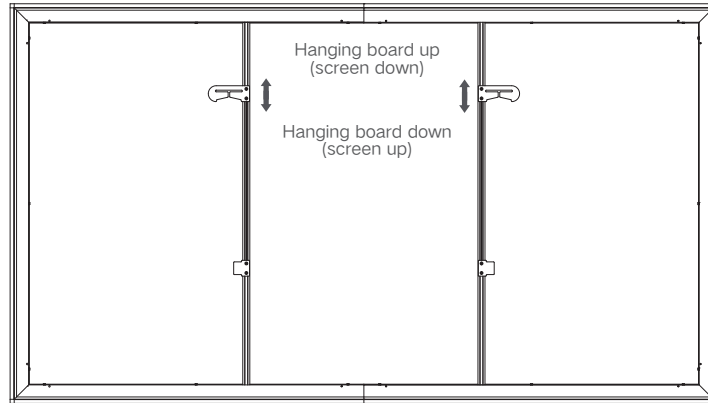


(22) Install the screen

Determine the installation position of the screen on the wall, mark it on the wall with a pen, drill holes with $\phi 8\text{mm}$, put the expansion tube and tighten the screws with the wall interval of 10mm, and hang the screen on the wall. Tap the screen frame to make sure hanging boards on both sides are attached to the screws.



(23) Adjust the height of screen



loosen screws to adjust screen height

The name and content of poisonous and harmful material in products

Part name	Hazardous substances				
	Lead (Pb)	Mercury (Hg)	Cadmium (Cd)	Hexavalent chromium (Cr(VI))	Polybrominated biphenyl (PBB)
Inner frame	○	○	○	○	○
Outer frame	○	○	○	○	○
Stiffener	○	○	○	○	○
Tie rod	○	○	○	○	○
Hanging board	○	○	○	○	○
Anti-light Screen surface	○	○	○	○	○
Slider	○	○	○	○	○
Fiber rod	○	○	○	○	○
Corner protector	○	○	○	○	○
Frame connector	○	○	○	○	○
Inner frame connecting corner brace	○	○	○	○	○
Inner frame connector	○	○	○	○	○
Expansion tube and matching screws	○	○	○	○	○
Other metal parts	○	○	○	○	○

This form is prepared in accordance with SJ/T 11364.

○ : Indicates that the content of the hazardous substance in all homogeneous materials of the component is below the limit specified in GB/T 26572.

× : It indicates that the hazardous substance in at least one homogeneous material of this part exceeds the limit specified in GB/T 26572.



The number in the circle represents the normal environmental protection use period of the product. Formovie encourages users to comply with the national regulations on the recycling of waste electrical and electronic products when they do not need such products, and hand them over to local agencies with nationally recognized recycling and disposal qualifications for recycling. Formovie provides a variety of programs and services to help product owners recycle the products.

官方邮箱: support@formovie.com

制造商: 峰米(重庆)创新科技有限公司

地址: 重庆市江北区郭家沱街道隆港路2号4层401室

Official mailbox: support@formovie.com

Manufacturer: Formovie (Chongqing) Innovative Technology Co., Ltd.

Address: Room 401, Level 4, No.2 Longgang Road, Guo Jia Tuo Street, Jiang Bei District, Chongqing