



HADEN

ESTD. ENGLAND 1958



INSTRUCTION MANUAL



PRODUCT CODE: 198785

SALCOMBE TOASTER



ESTD. ENGLAND 1958

How Can We Help?

The Haden team is always interested in what you have to say, so why not get in touch?



Call us
01909 544 570



Email us
info@haden.com

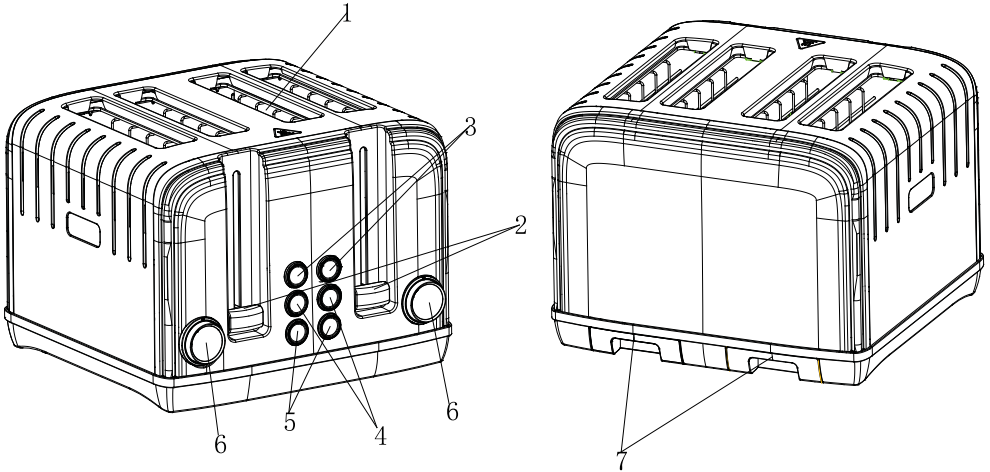


Write to us
**Team Haden, Sabichi Homewares Ltd,
Priorswell Rd, Worksop, S80 2BY**



Visit us
www.haden.com

COMPONENTS



1. Extra Wide Toasting Slots
2. Carriage Control Lever
3. Cancel Button
4. Reheat Button
5. Frozen Button
6. Variable browning control
7. Removable crumb tray

When using electrical appliances, basic safety precautions should always be followed to reduce the risk of fire, electric shock and/or injury to persons including the following:

IMPORTANT SAFEGUARDS

1. Please read these instructions before operating and retain for future reference.
2. This appliance can be used by children aged from 8 years and above and persons with reduced physical, sensory or mental capabilities or lack of experience and knowledge if they have been given supervision or instruction concerning use of the appliance in a safe way and understand the hazards involved. Children shall not play with the appliance. Cleaning and user maintenance shall not be made by children unless they are older than 8 and supervised.
3. Keep the appliance and its cord out of reach of children less than 8 years.
4. If the supply cord is damaged, it must be replaced by the manufacturer, its service agent or similarly qualified persons in order to avoid a hazard.
5. The bread may burn, therefore do not use the toaster near or below combustible material, such as curtains.
6. The appliances are not intended to be operated by means of an external timer or separate remote-control system.
7. This appliance is intended to be used in household and similar applications.
8. To protect against electrical hazard do not immerse any part of the appliance or cord in water or any other liquid.
9. Close supervision is necessary when the appliance is near children.
10. Do not leave the appliance unattended when in use.
11. Always use the appliance on a dry, level surface.
12. Do not use this appliance outdoors.
13. Always unplug from the plug socket when not in use and before cleaning.

14. Do not operate the appliance if damaged, after an appliance malfunctions or it has been damaged in any manner, return to the customer service department for repair, because special purpose tools are required.
15. In the interest of safety, regular periodic close checks should be carried out on the supply cord to ensure no damage is evident. Should there be any signs that the cord is damaged in the slightest degree, the entire appliance should be returned to the customer service department.
16. Do not let the cord hang over the edge of a table or counter or touch hot surfaces. Allow unit to cool before wrapping cord around base for storage.
17. Care must be taken , not to touch any hot surfaces, do not store or cover the appliance until it has fully cooled down.
18. Do not place this appliance on or near a hot gas or electric burner, in or where it could touch a heated oven, or a microwave oven.
19. Do not use harsh abrasives, caustic cleaners or oven cleaners when cleaning this appliance.
20. When using this appliance, allow adequate air space above and on all sides for air circulation. Do not allow this appliance to touch curtains, wall coverings, clothing, dishtowels or other flammable materials during use. CAUTION is required on surfaces where heat may cause a problem - an insulated heat pad is recommended.
21. Do not use the toaster without the crumb tray in place. The crumb tray should be cleaned regularly. Do not allow crumbs to build up in the tray.
22. Do not use this appliance with any foodstuff product containing sugar content or with products containing jam or preserves.
23. The temperature of accessible surfaces may be high when the appliance is operating.

WARNING!

Never attempt to extract jammed toast, muffins, bagels or any other item with a knife or any other object, as contact with live elements may cause electrocution.

Allow the appliance to cool down, unplug and carefully remove the bread
The following is the safe cautionary symbol of a Hot Surface accessible to people. This symbol alerts you to the hot hazards that you can be injured.
CAUTION, Hot surface. The surface can be hot and should not be touched without taking care.

OPERATING YOUR TOASTER

1. Insert the plug into a suitable mains supply socket and turn the power on.
2. Place up to four slices of bread, muffins, or bagels into bread slots.
3. Select the desired browning setting, from No.1 to No.6 on the browning control knob.(No.1-lightest, No.6-darkest).

When using the toaster for the first time we suggest you toast on number 3. Varying types of bread and personal preference may require a different browning setting.

4. Press the carriage control lever down until it clicks into place. Toasting cycle will automatically commence. Please note: if the toaster is not plugged in and switched on at the power point the carriage control lever will not click into place.
5. The toaster turns off when the desired toast colour is achieved and automatically raises the toast. The toasting process can be stopped at any time by pressing the cancel button.

TOASTING FROZEN BREAD: To toast frozen bread, place the bread into the bread slots and select the desired browning setting. Press the carriage control lever down until it clicks into place then press the frozen button.

REHEATING TOAST: The toaster allows you to reheat toast without additional toasting. To reheat, place toast into bread slots, lower the carriage control lever until it clicks into place and press the reheat button.

CHECKING BROWNING BREAD: The toaster allows you to lift the carriage control lever up to look over the toast color in any working state without cancelling the toasting process. Do not touch the bread during checking. Release the carriage control lever, the bread will return to the slots to continue being toasted. If you are satisfied with the toasted bread, press the cancel button to stop further toasting.

In the unlikely event that the bread or crumpet becomes jammed, switch the toaster off at the power outlet, remove the plug from the supply socket and carefully ease the bread out of the toaster, ensuring that you do not damage the element.

CLEANING AND MAINTENANCE

1. Always turn the power off, remove the plug and allow the toaster to cool before cleaning.
 2. To remove any crumbs from the toaster, slide out the crumb tray from under the toaster, empty and replace in the toaster before using it again.
 3. Wipe the outside of the toaster with a slightly dampened cloth and polish with a soft dry cloth.
 4. Do not immerse the unit in water.
 5. To clean the interior, turn the toaster upside down over the sink and shake crumbs free.
- The crumb tray should be cleaned regularly. Do not allow breadcrumbs to accumulate in the bottom of the toaster.

TECHNICAL DETAILS

AC: 220V~240V

50/60Hz

Power: 1900-2300W

WASTE DISPOSAL

According to Waste of Electrical and Electronic Equipment (WEEE) directive, WEEE should be separately collected and treated.

If at any time in the future you need to dispose of this product please do NOT do so with household waste.

Please send this product to WEEE collection points where available.



AFTER SALES SERVICE

This product is guaranteed for two years from the date of original purchase. Proof of purchase will be required. The guarantee is subject to the following provisions:

The guarantee does not cover accidental damage, misuse, unit parts, knobs or consumable items.

The product must be correctly stored and operated in accordance with the instructions contained in this manual.

It must be used solely for domestic purposes.

The guarantee will be rendered invalid if the product is re-sold or has been damaged by inexpert repair.

Specifications are subject to change without prior notice.

The manufacturer disclaims any liability for incidental or consequential damages.

The guarantee is in addition to, and does not affect your statutory or legal rights.



HADEN

ESTD. ENGLAND 1958