



HADEN

ESTD. ENGLAND 1958



INSTRUCTION MANUAL



PRODUCT CODE: 197245, 197252

HIGHCLERE TOASTER



ESTD. ENGLAND 1958

How Can We Help?

The Haden team is always interested in what you have to say, so why not get in touch?



Call us
01909 544 570



Email us
info@haden.com

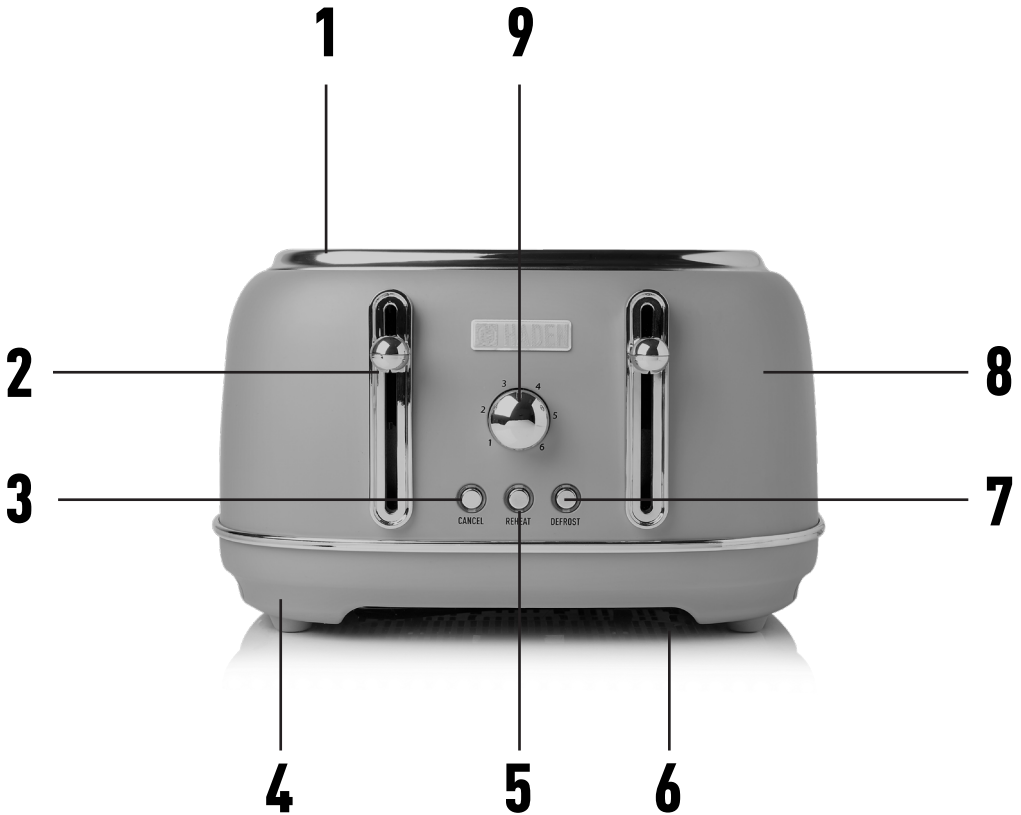


Write to us
**Team Haden, Sabichi Homewares
Ltd, Priorswell Rd, Worksop, S80 2BY**



Visit us
www.haden.com

COMPONENTS



1. Toasting Slots

2. Carriage Control Lever

3. Cancel Button

4. Base

5. Reheat Button

6. Crumb tray

7. Defrost Button

8. Housing

9. Variable Browning Control

IMPORTANT SAFEGUARDS

Before using the electrical appliance, the below mentioned basic precautions should always be followed:

- Read all instructions, and save it for future reference.
- Before using, check that the voltage of wall outlet corresponds to that shown on the rating plate of the toaster.
- Do not touch hot surface. Use handles, knobs and buttons provided.
- To protect against electrical shock, do not immerse cord, plug, or any part of the toaster in water or other liquid.
- Close supervision is necessary when it is used by or near children.
- Unplug the unit from outlet when not in use and before cleaning.
- Do not operate any appliance with a damaged cord or plug. If the main cord is damaged, it must be replaced by a service agent or a qualified person.
- Do not let the cord hang over the edge of a table or counter, or touch any hot surfaces.
- Do not place on or near a hot surface or in a heated oven
- Do not use the appliance for other than its intended use.
- Oversize food, metal foil packages or utensils must not be inserted in the toaster as they may cause fire, electric shock and or personal injury.
- Bread may burn, so toasters must not be used near or below curtains and other combustible materials, and must not be left unattended.
- The use of accessory attachments is not recommended by the appliance manufacturer as it may cause injuries.
- Don't attempt to dislodge food when toaster is in operation
- Be sure to take the bread out carefully after toasting so as to avoid injuries

- This appliance can be used by children aged from 8 years and above and persons with reduced physical, sensory or mental capabilities or lack of experience and knowledge if they have been given supervision or instruction concerning use of the appliance in a safe way and understand the hazards involved. Children should not play with the appliance. Cleaning and user maintenance should not be made by children unless they are older than 8 and supervised.
- Keep the appliance and its cord out of reach of children.
- Warning: if toasting small bread slices less than 85mm length, you must pay attention to the potential risk of burning when taking out the slices.
- Don't use the appliance outdoors.
- This appliance is intended to be used in household and similar applications such as:
 - i.** Staff kitchen areas in shops, offices and other working environments;
 - ii.** Farm houses;
 - iii.** By clients in hotels, motels and other residential type environments;
 - iv.** Bed and breakfast type environments.
- Save these instructions.

USING YOUR TOASTER

1. Insert a regular bread slice into the bread slots, which can be inserted with four slices at most each time.
2. Make sure the crumb tray is positioned in place before using.
3. Plug the power cord into the outlet.
4. Set the browning control knob to your desired color. There are 6 positions, the lowest "1" is for light and the highest "6" is for dark. Depending on the bread slice, it can be toasted to golden color at the middle position.
5. Press the carriage handle down vertically until it latches into position. The light indicator for the Cancel Function will be illuminated, and the appliance will begin toasting.
6. Once the bread has been toasted to the preset colour, the carriage handle will automatically pop up. Also you can uplift the carriage handle a little to remove the bread.

NOTE: During toasting, you may also observe the toasting color. If it is satisfactory, you can press the Cancel button to cancel the operation at any time, but never lift carriage handle to cancel toasting.

Defrost button

This feature takes the guesswork out of toasting frozen bread. Set the browning level to your favored setting, put the frozen bread into the toasting slot, lower the bread carriage handle, and then press the button. The light by the button will come on. The toasting time will be adjusted automatically to give the same browning level you get with unfrozen bread.

Reheat button

Use the lowest setting, and only reheat plain, unbuttered toast.

CAUTION

1. Remove all protective wrappings and stickers prior to toasting.
2. If toaster starts to smoke, Press Cancel to stop toasting immediately.
3. Avoid toasting the food with extremely runny ingredients such as butter or garlic bread.
4. Never attempt to remove bread jammed in the slots without unplugging the toaster from the electrical outlet first. Be sure not to damage the internal mechanism or heating elements when removing bread.
5. In order to achieve uniform colour we recommend that you should wait a minimum of 30 seconds between each toasting so that colour control can reset automatically.

CLEANING AND MAINTENANCE

1. Before cleaning, unplug from the appliance and let the appliance cool down completely.
2. Wipe the outside with soft dry cloth, never use metal polish.
3. Remove the crumb tray at the bottom of toaster and empty it. If toaster is used frequently, accumulated bread crumbs should be removed at least once a week. Make sure the crumb tray is completely closed before using the toaster again.
4. The power cord may be wound under the bottom of toaster when not in use or during storage.

Crumbs

Remove crumbs frequently, as they could cause a fire hazard. Unplug the toaster and let it cool down fully. Remove and empty the crumb tray. Wipe it with a damp cloth, dry it, then slide it back into the toaster. Don't use the toaster unless the crumb tray is in place and closed.

TECHNICAL DETAILS

AC: 220V~240V

50/60Hz

Power: 1370-1630W

WASTE DISPOSAL

According to Waste of Electrical and Electronic Equipment (WEEE) directive, WEEE should be separately collected and treated. If at any time in the future you need to dispose of this product please do NOT do so with household waste. Please send this product to WEEE collection points where available.



AFTER SALES SERVICE

This product is guaranteed for two years from the date of original purchase. Proof of purchase will be required. The guarantee is subject to the following provisions:

The guarantee does not cover accidental damage, misuse, unit parts, knobs or consumable items.

The product must be correctly stored and operated in accordance with the instructions contained in this manual.

It must be used solely for domestic purposes.

The guarantee will be rendered invalid if the product is re-sold or has been damaged by inexperienced repair.

Specifications are subject to change without prior notice.

The manufacturer disclaims any liability for incidental or consequential damages.

The guarantee is in addition to, and does not affect your statutory or legal rights.



ESTD. ENGLAND 1958