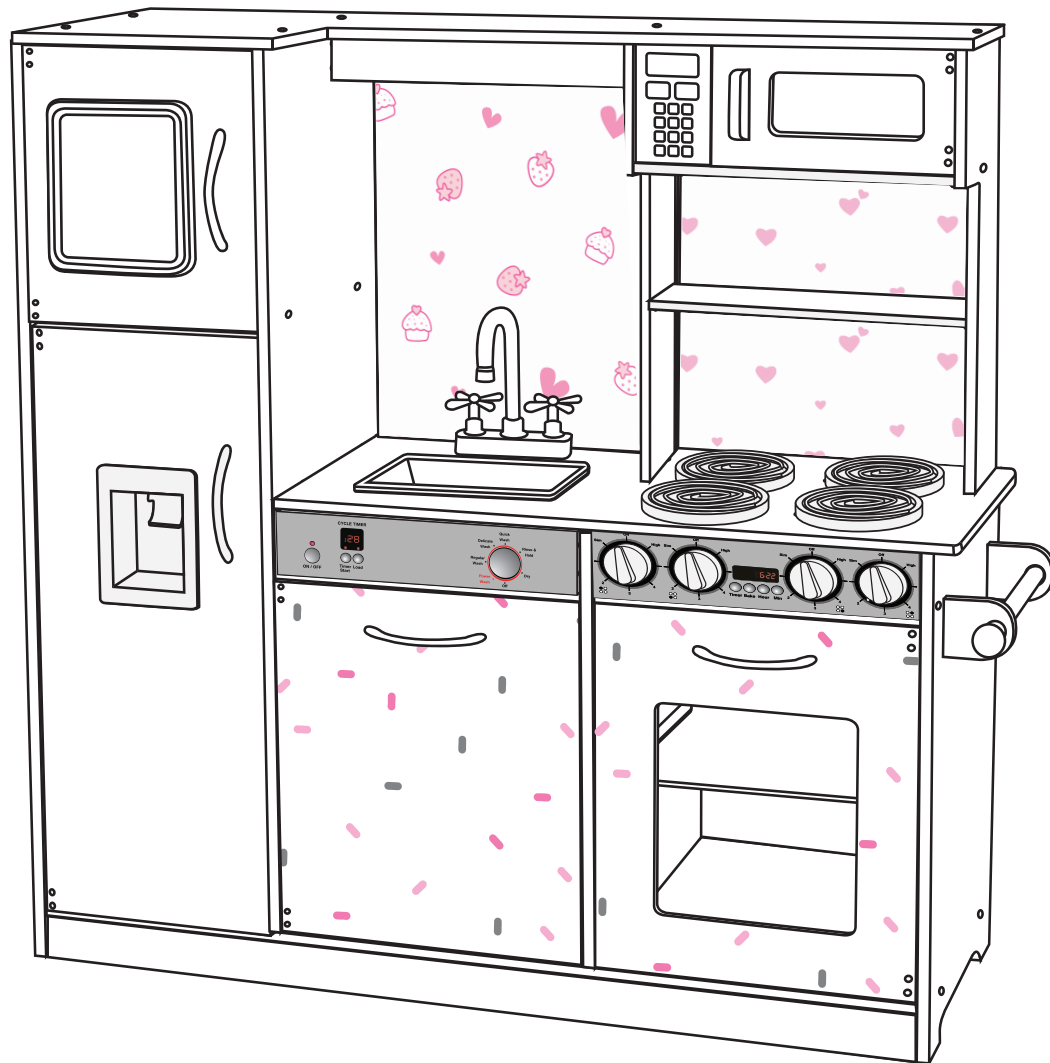


jumbl[®]

Wooden Play Kitchen

JUMKTCHPNK1

User Guide



Thank you for purchasing the Jumbl Wooden Play Kitchen. This User Guide is intended to provide you with guidelines to ensure that operation of this product is safe and does not pose risk to the user. Any use that does not conform to the guidelines described in this User Guide may void the limited warranty.

Please read all directions carefully before using the product and retain this guide for reference. This product is intended for indoor use only. It is not intended for outside use.

This product is covered by a limited one-year warranty. Coverage is subject to limits and exclusions. See warranty for details.

Safety Precautions

WARNING

Please read all safety precautions and instructions carefully before using this product. Failure to properly follow the guidelines established here could result in serious injury. This product is not recommended for children under 3 years old.

WARNING


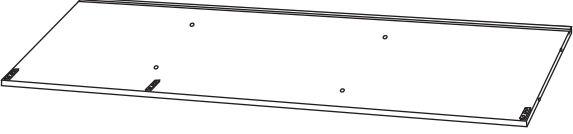


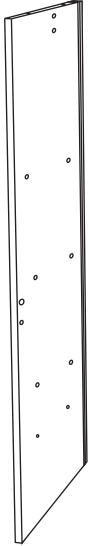
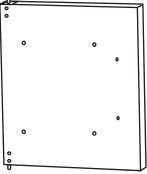
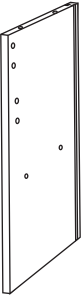
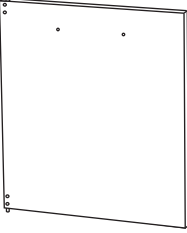

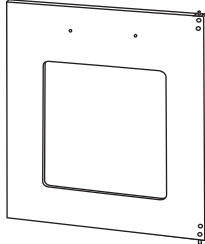
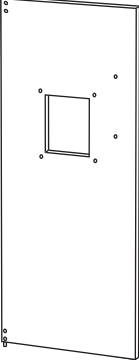
CHOKING HAZARD - Small parts and sharp points associated with this product make it unsuitable for children under 3 years old.

WARNING

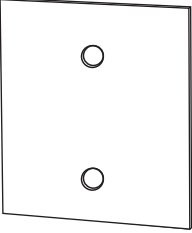


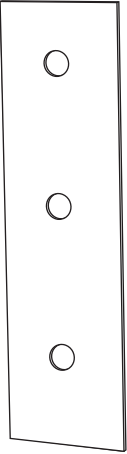

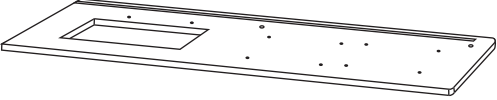
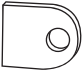
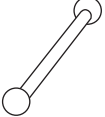
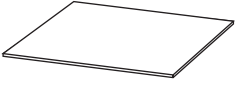
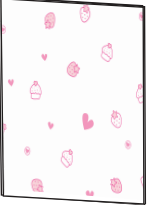

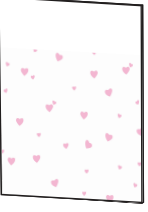



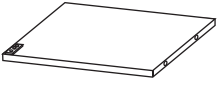
ADULT ASSEMBLY REQUIRED - During assembly, this product contains small components and sharp edges and points that are potentially hazardous. Keep unassembled parts away from children.

- **USE & MAINTENANCE:** Use on level surfaces only. Regularly check the assembly and tighten hardware as needed. Failure to do so may result in reduced structural integrity and potential hazards.
- Adult setup is required to assemble this product safely.
- Remove all packaging before using this product. Please keep all packaging materials out of reach of children and pets.
- Set up indoors on a level surface to avoid the risk of the product falling or being pulled over, potentially leading to injury or product damage.
- Always supervise children when using this product.
- Do not allow children to tip the product over. This can cause injury to children and damage to the product.
- Do not drag the product to avoid damaging your floor and the base of the product.
- Instruct children on proper use of this product. Do not use in a manner other than intended.
- Keep pets away from the product to avoid it tipping over and causing injury to pets/children and product damage.
- Do not allow children to climb on this product. This can lead to injury and product damage.
- Never place computers, televisions, or other heavy objects on top of the product.



Package Contents

1	 1PC	5	 1PC
		6	 1PC
		7	 1PC
2	 1PC	8	 1PC
3	 1PC	9	 1PC
4	 1PC	10	 1PC
		11	 1PC






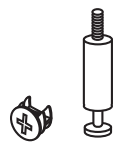






Package Contents (continued)

12	 <p>2PCS</p>	19	 <p>1PC</p>
		20	 <p>1PC</p>
13	 <p>1PC</p>	21	 <p>1PC</p>
		22	 <p>1PC</p>
		23	 <p>2PCS</p>
		24	 <p>1PC</p>
14	 <p>2PCS</p>	25	 <p>1PC</p>
15	 <p>1PC</p>	26	 <p>1PC</p>
16	 <p>1PC</p>	27	 <p>1PC</p>
17	 <p>1PC</p>		
18	 <p>1PC</p>		

Package Contents (continued)

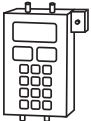
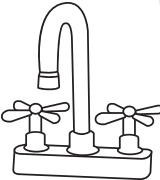

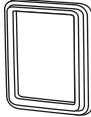
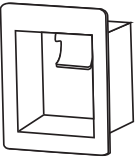





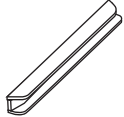


28	 <p>1PC</p>	29	 <p>1PC</p>
----	--	----	---

Hardware

<p>A 34PCS</p>  <p>42 mm</p>	<p>B 2PCS</p>  <p>32 mm</p>	<p>C 8PCS</p>  <p>9 mm</p>	<p>D 2PCS</p>  <p>25 mm</p>
<p>E 22PCS</p>  <p>20 mm</p>	<p>F 4PCS</p> 	<p>G 16PCS</p>  <p>9 mm</p>	<p>H 5PCS</p> 
<p>I 5PCS</p> 	<p>J 27PCS</p>  <p>30 mm</p>	<p>K 4PCS</p>  <p>18 mm</p>	<p>L 2PCS</p>  <p>28 mm</p>

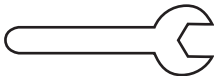
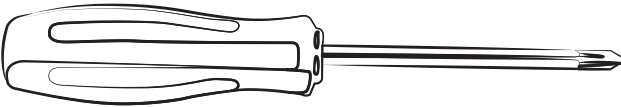
Package Contents (continued)

Accessories

 1 PC	 1 PC	 1 PC	 1 PC	
 1 PC	 1 PC	 1 PC	 1 PC	
 4 PCS	 4 PCS	 4 PCS	 4 PCS	 1 PC

Recommended Tools

- Philips head screwdriver (not included)
- Wrench (included)



Assembly Instructions

Step 1

- Fasten all handles to doors 7, 8, 9, 10, and 11 using two (2) E screws on each door. Orient each door as shown.
- Door 7 uses a different handle than the other doors.

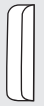
E



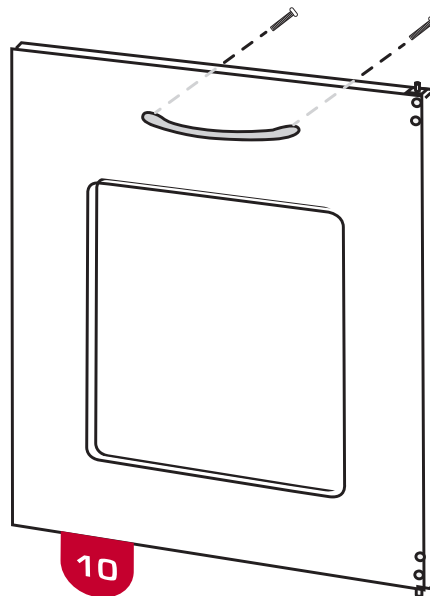
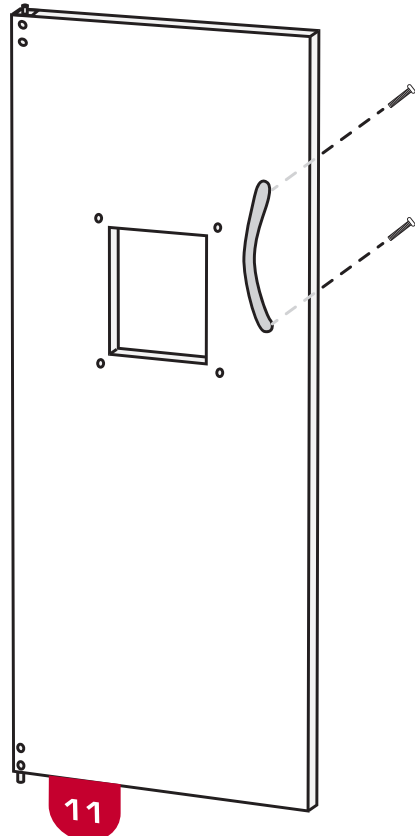
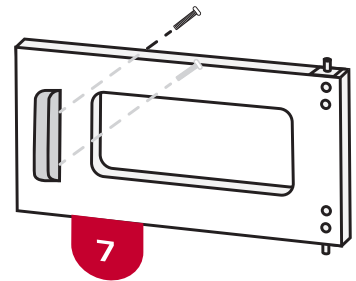
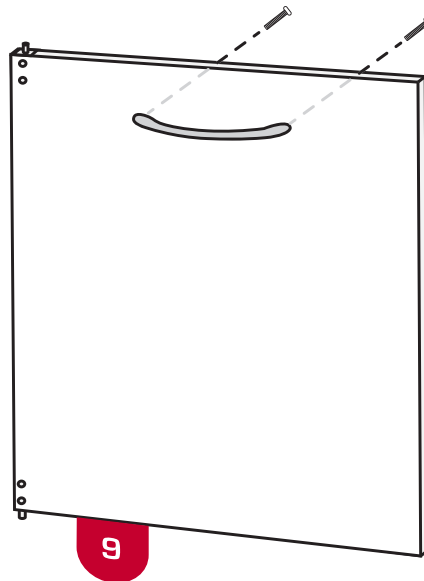
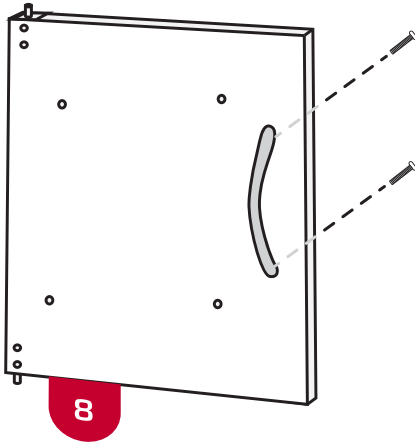
x10



x4



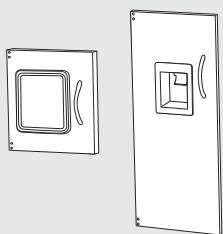
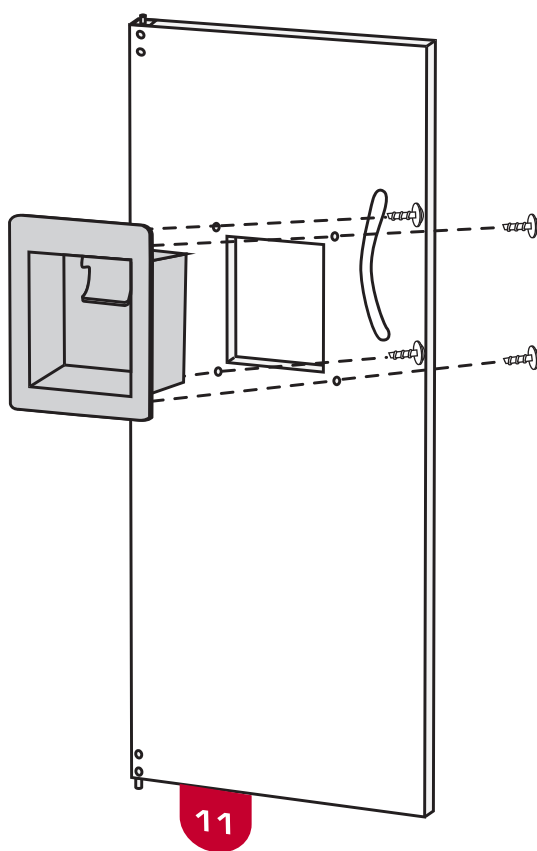
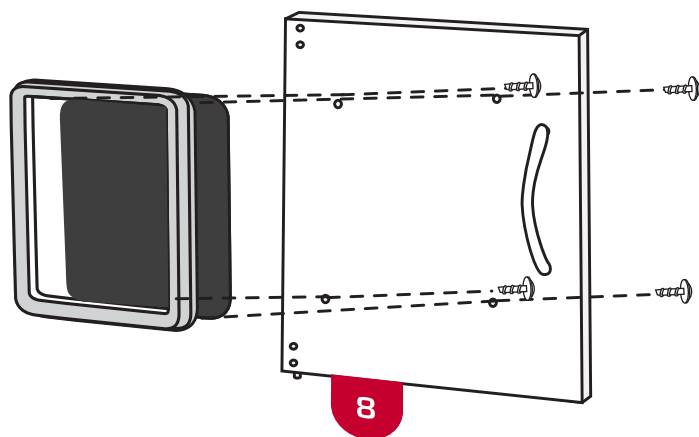
x1



Step 2



- Fasten the chalkboard to door 8 using four (4) C screws.
- Fasten the ice dispenser to door 11 using four (4) C screws.

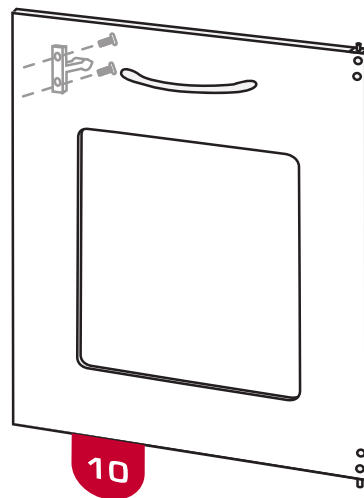
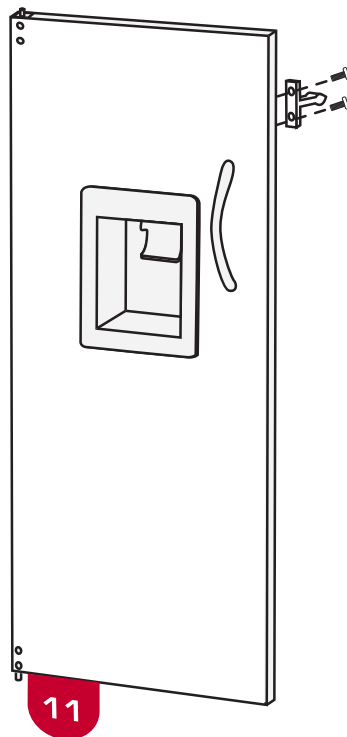
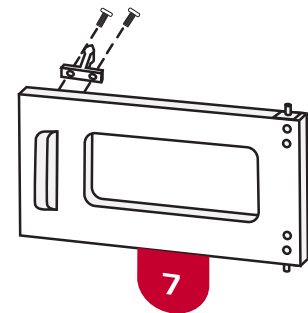
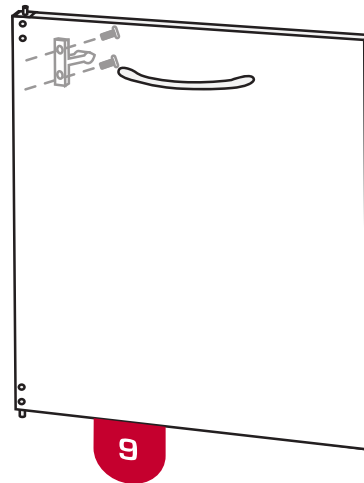
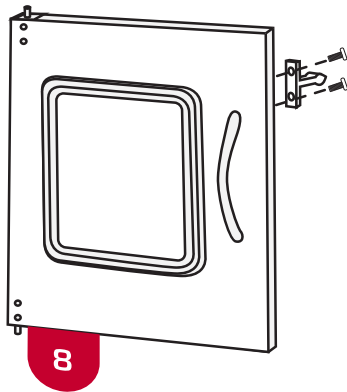
C 
x8



Step 3

- Fasten one (1) I latch to each of the five (5) doors using two (2) G screws on each door.

G  **x10**
I  **x5**

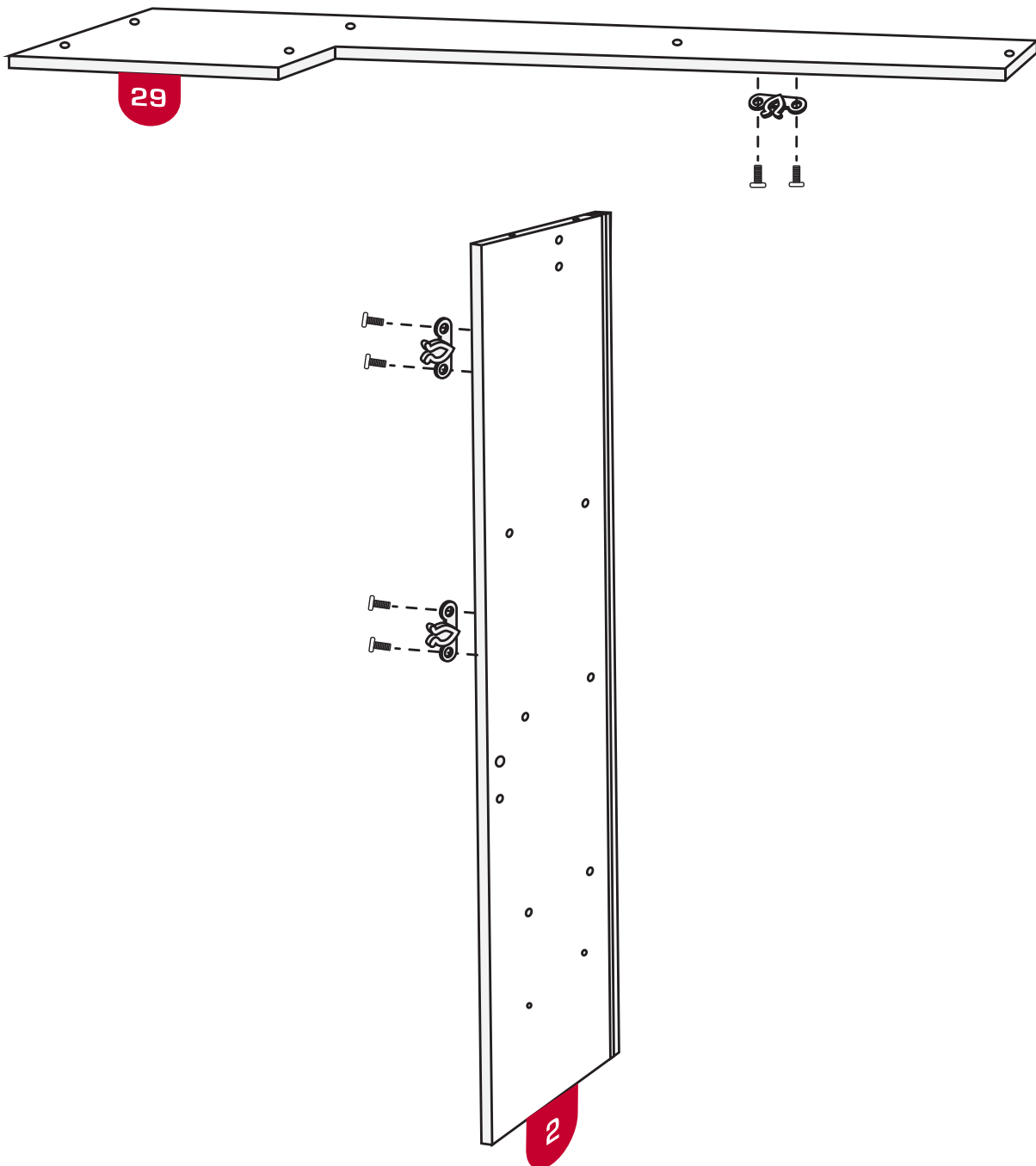


Step 4

- Fasten two (2) H latches to panel 2 and one (1) H latch to panel 29 as shown. Use G screws to fasten.

G  **x6**


H  **x3**



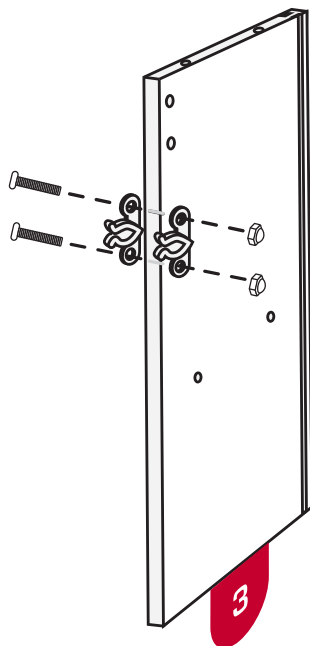
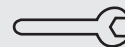
Step 5

- Fasten one (1) H latch to each side of panel 3 using two (2) D screws.

Use the provided wrench to hold the nut in place as you tighten the screws.

D  **x2**

H  **x2**



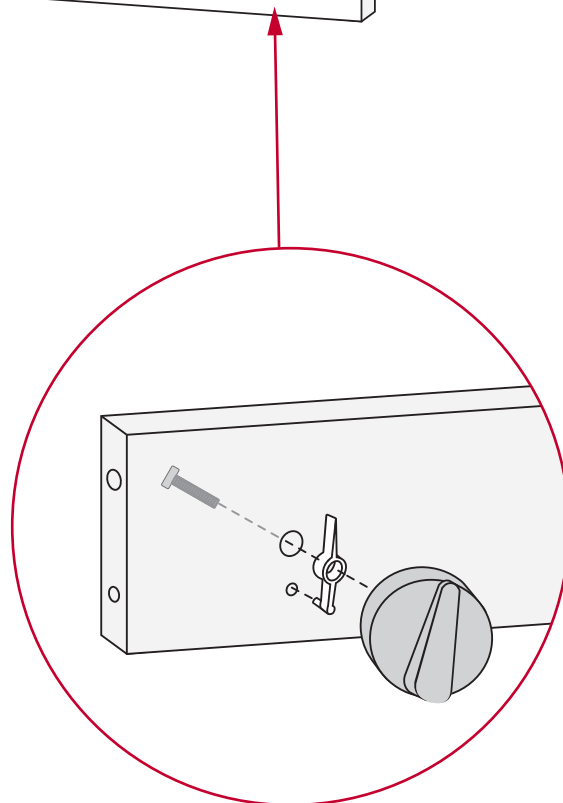
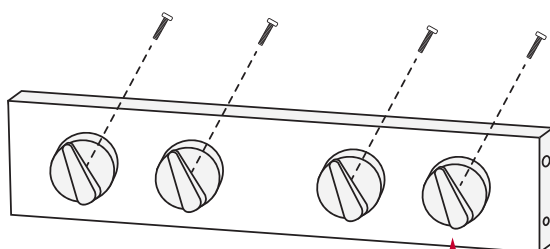
Step 6

- Mount the four (4) dials onto panel 16 using four (4) K screws.

Make sure the inner piece of the dial fits into the lower holes on panel 16 and that the dial spins after tightening the screws.

K  **x4**

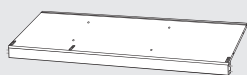
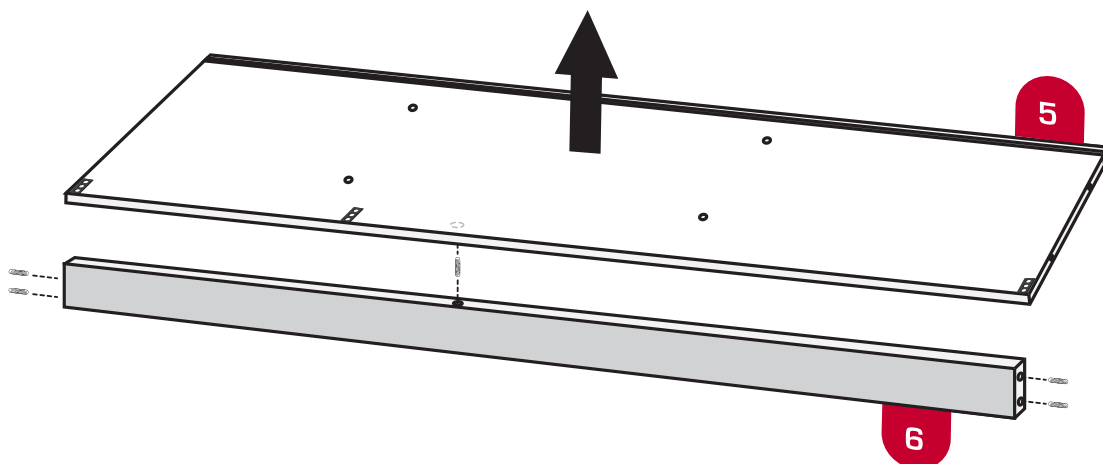
 **x4**



Step 7

- Insert one (1) wooden dowel into panel 6 and attach it to panel 5.
- Then, insert four (4) additional dowels into the sides of panel 6.

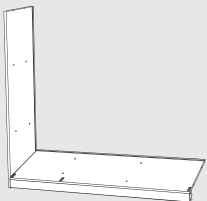
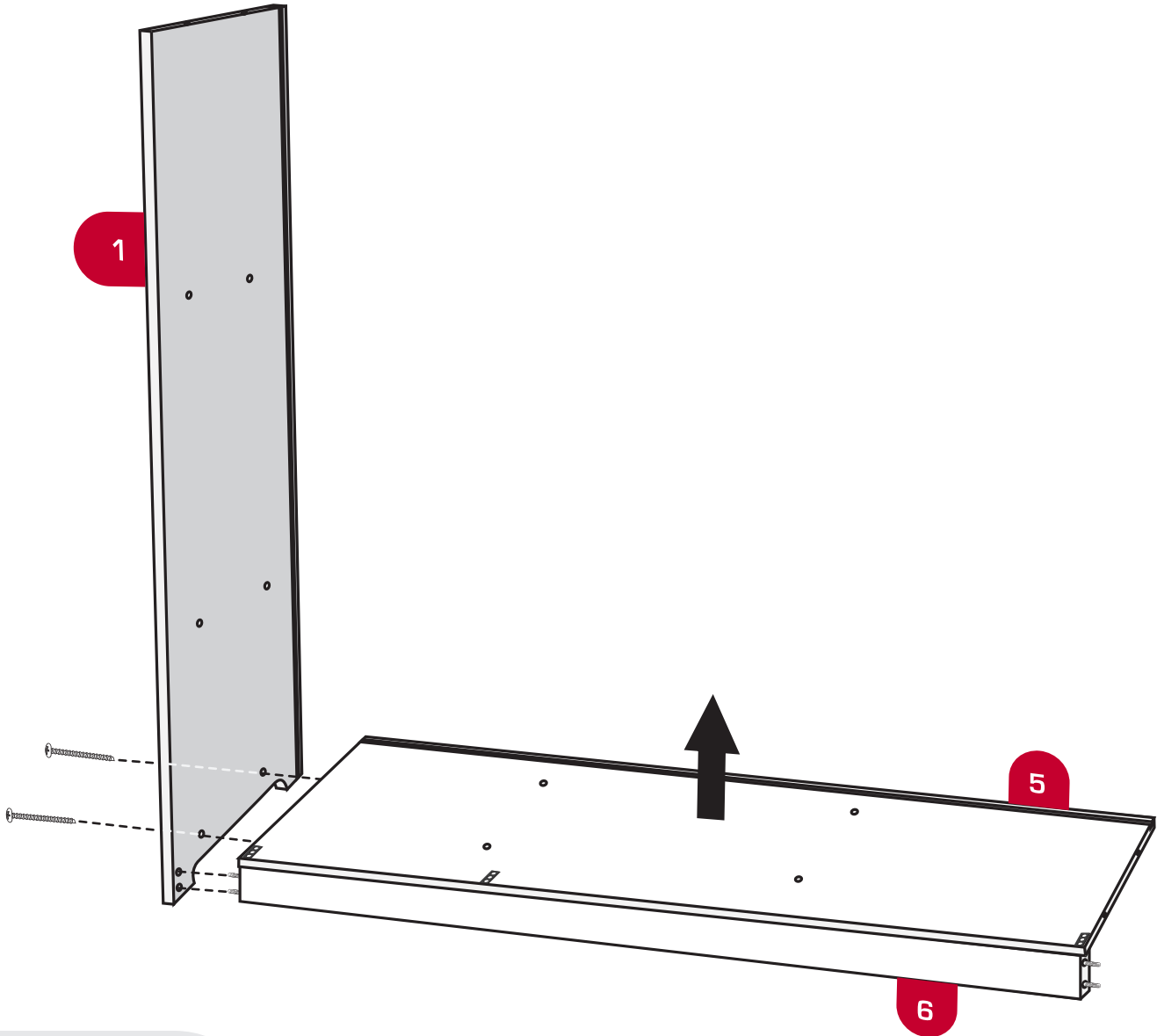
J 
x5



Step 8

- Fasten panel 1 to panel 5 using two (2) A screws while aligning the dowels from panel 6 into panel 1.
- Make sure the back grooves of panels 1 and 5 are aligned and that the hinges on panel 5 are facing up.

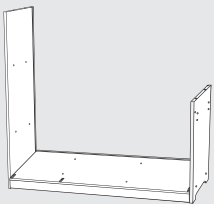
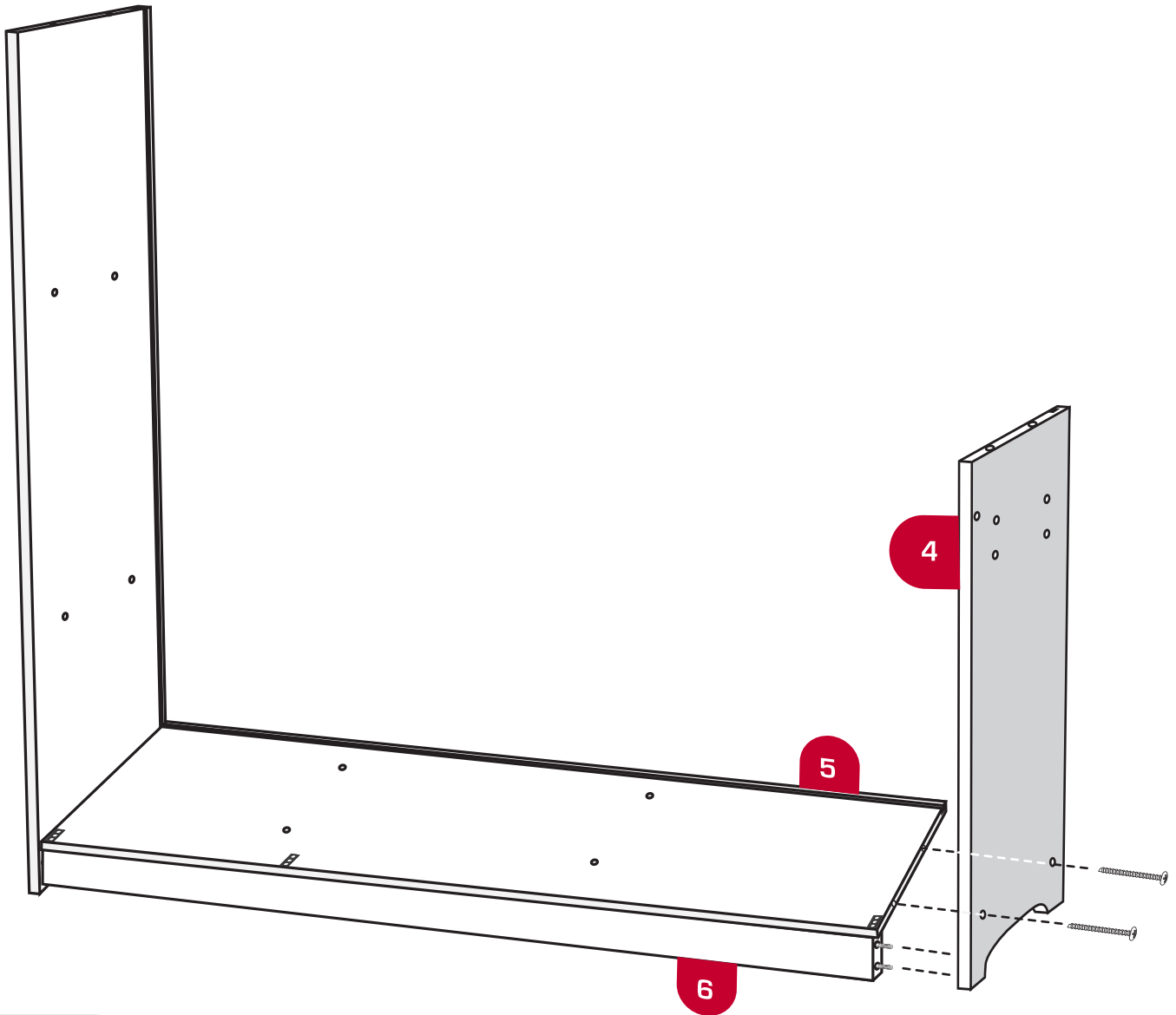
A 
x2



Step 9

- Fasten panel 4 to panel 5 using two (2) A screws while aligning the dowels from panel 6 into panel 4.
- Make sure the back grooves on panels 4 and 5 are aligned.

A 
x2

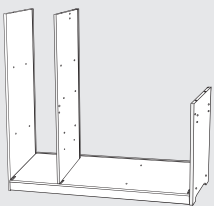
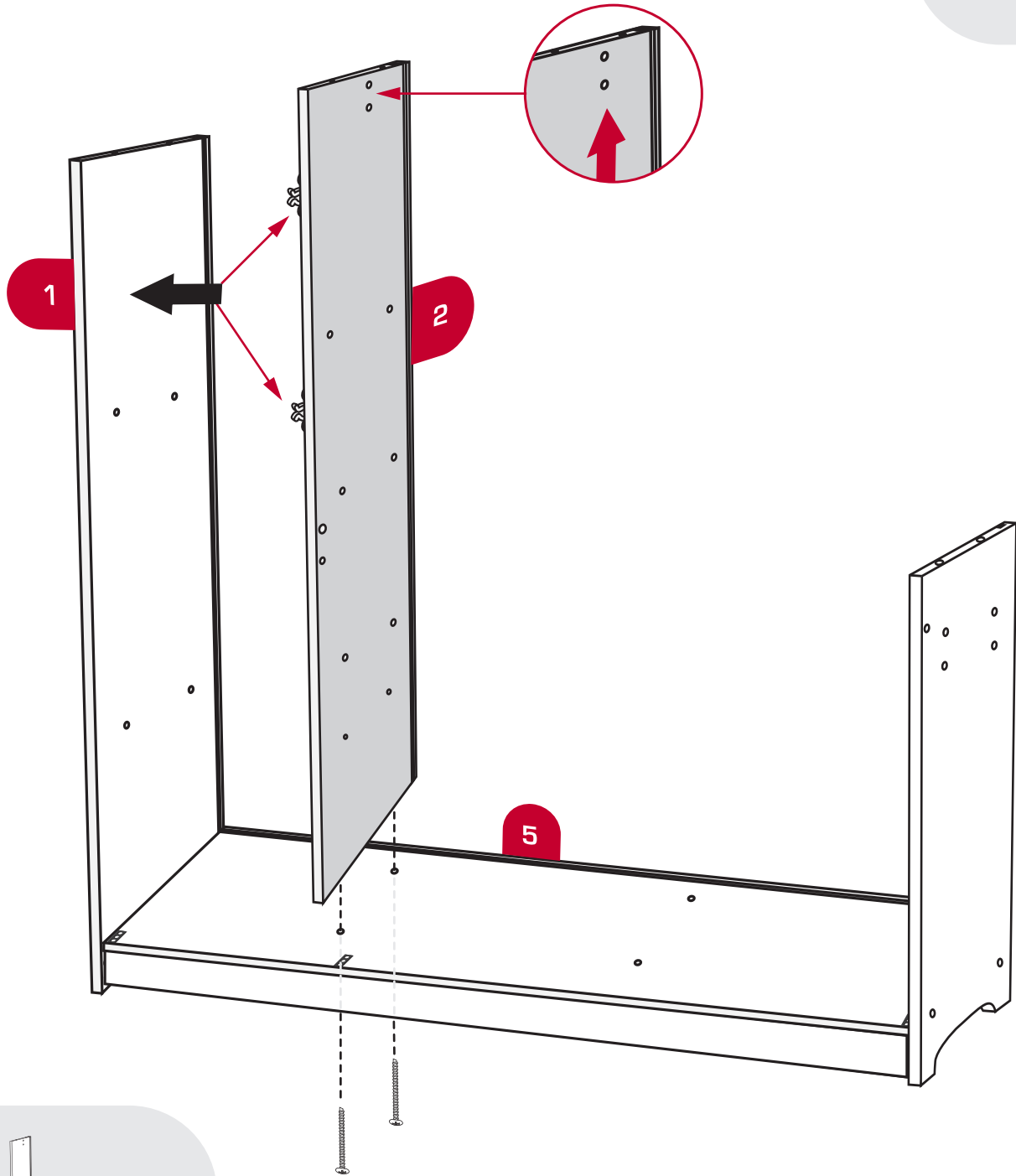


Step 10

- Fasten panel 2 to panel 5 using two (2) A screws.

Make sure latches on panel 2 are facing panel 1 and the back grooves on panel 2 align with panel 5.

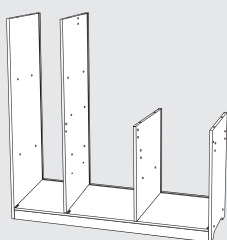
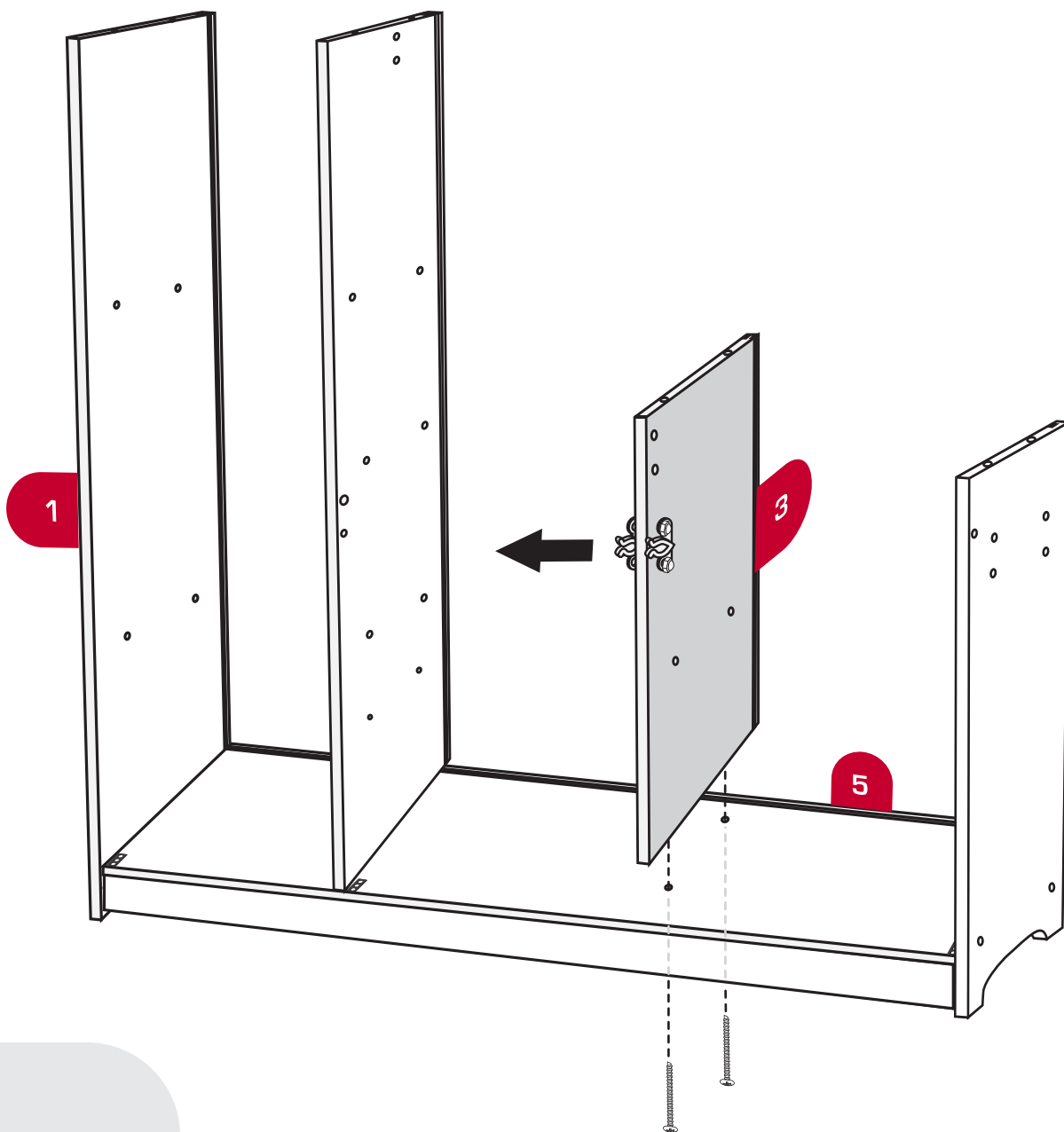
A  x2



Step 11

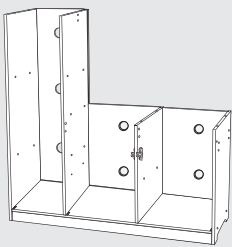
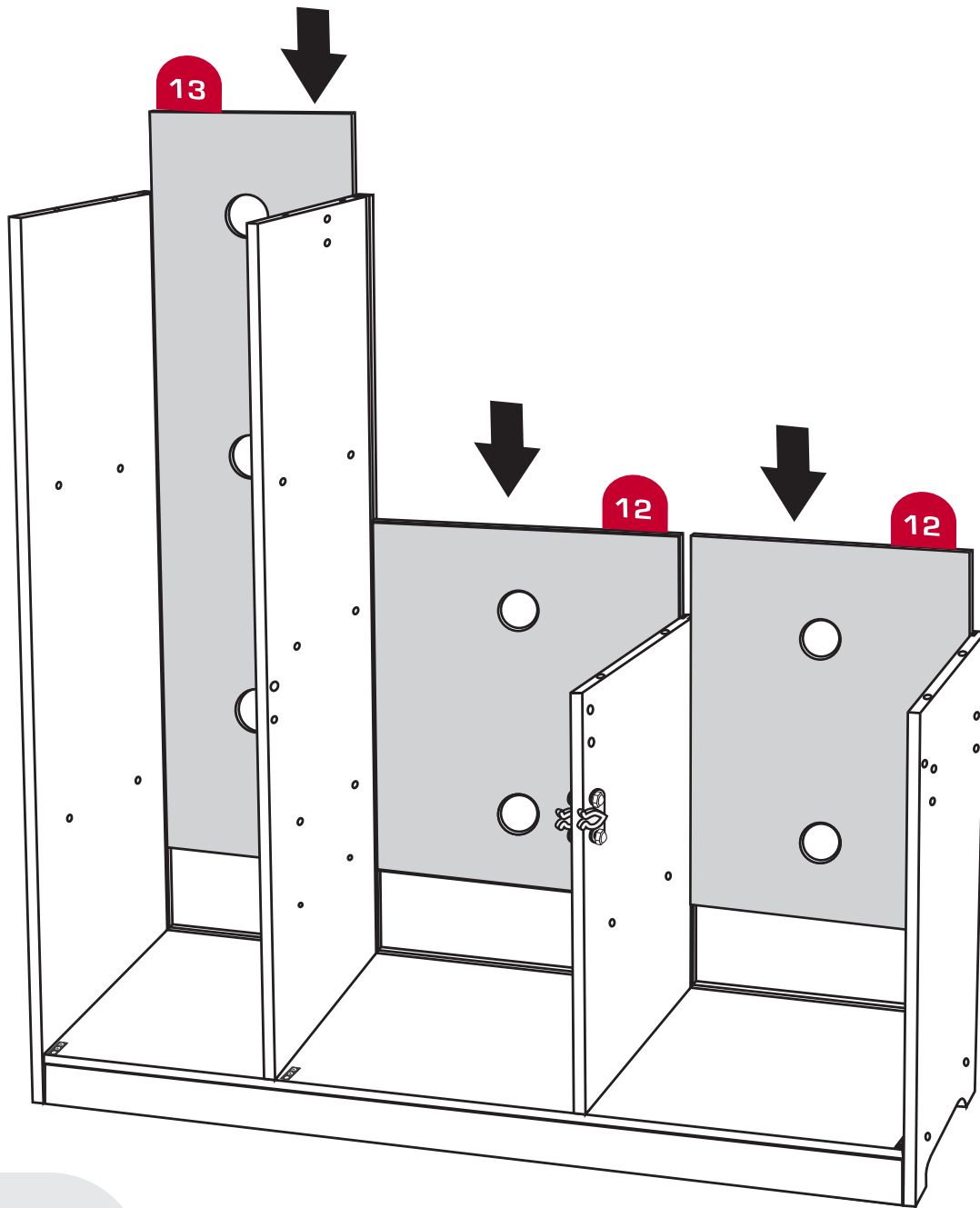
- Fasten panel 3 to panel 5 using two (2) A screws.
- Make sure the back grooves on panel 3 align with panel 5.

A 
x2



Step 12

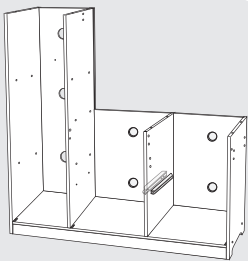
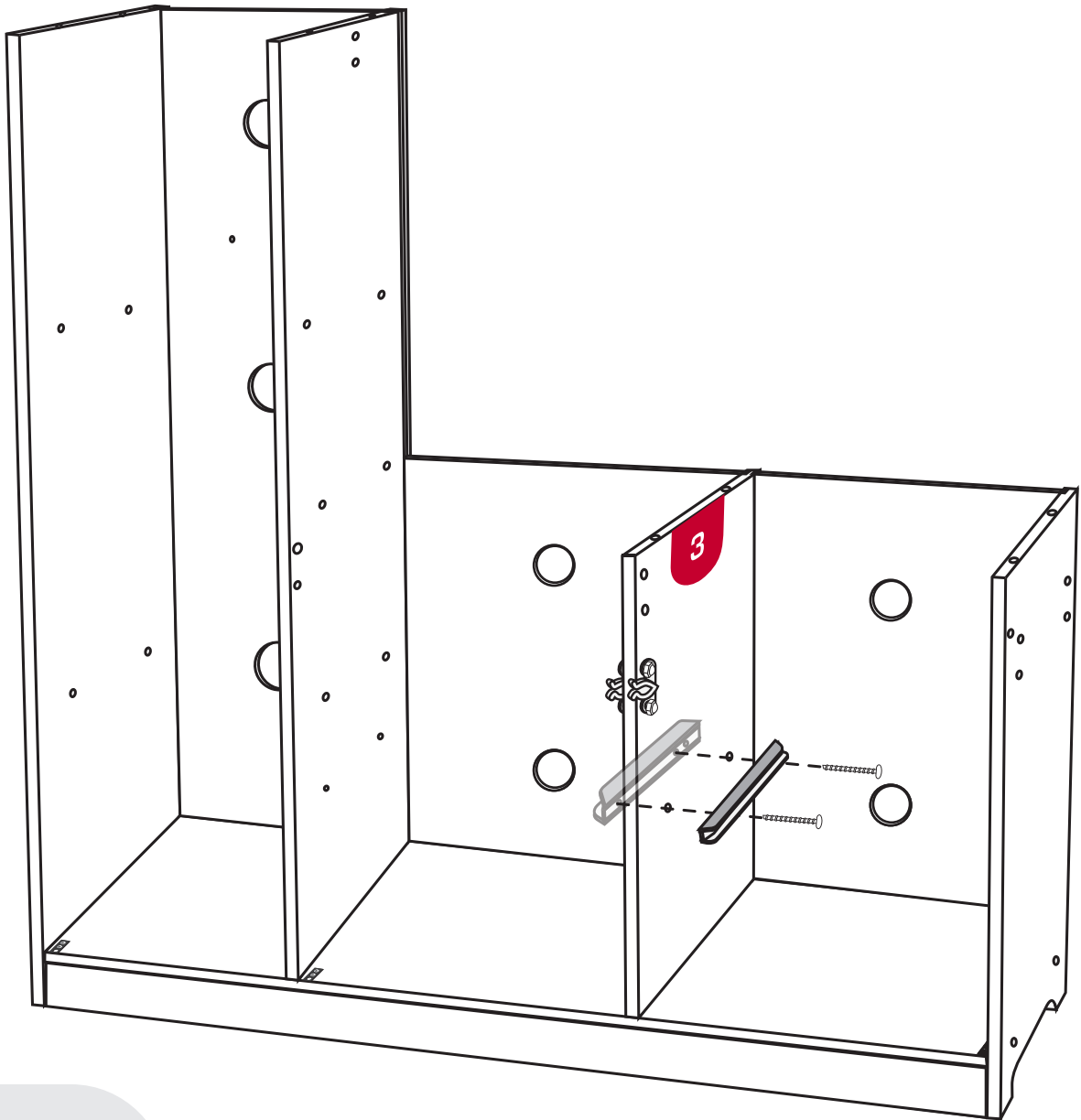
- Insert backboards 12 and 13 into their respective slots.



Step 13

- Fasten two (2) shelf holders on opposite sides of panel 3 using two (2) B screws.
- Be sure to use the inner screw holes on the shelf holders.

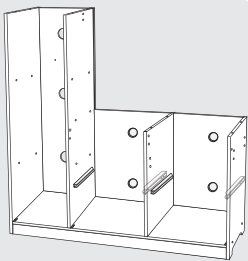
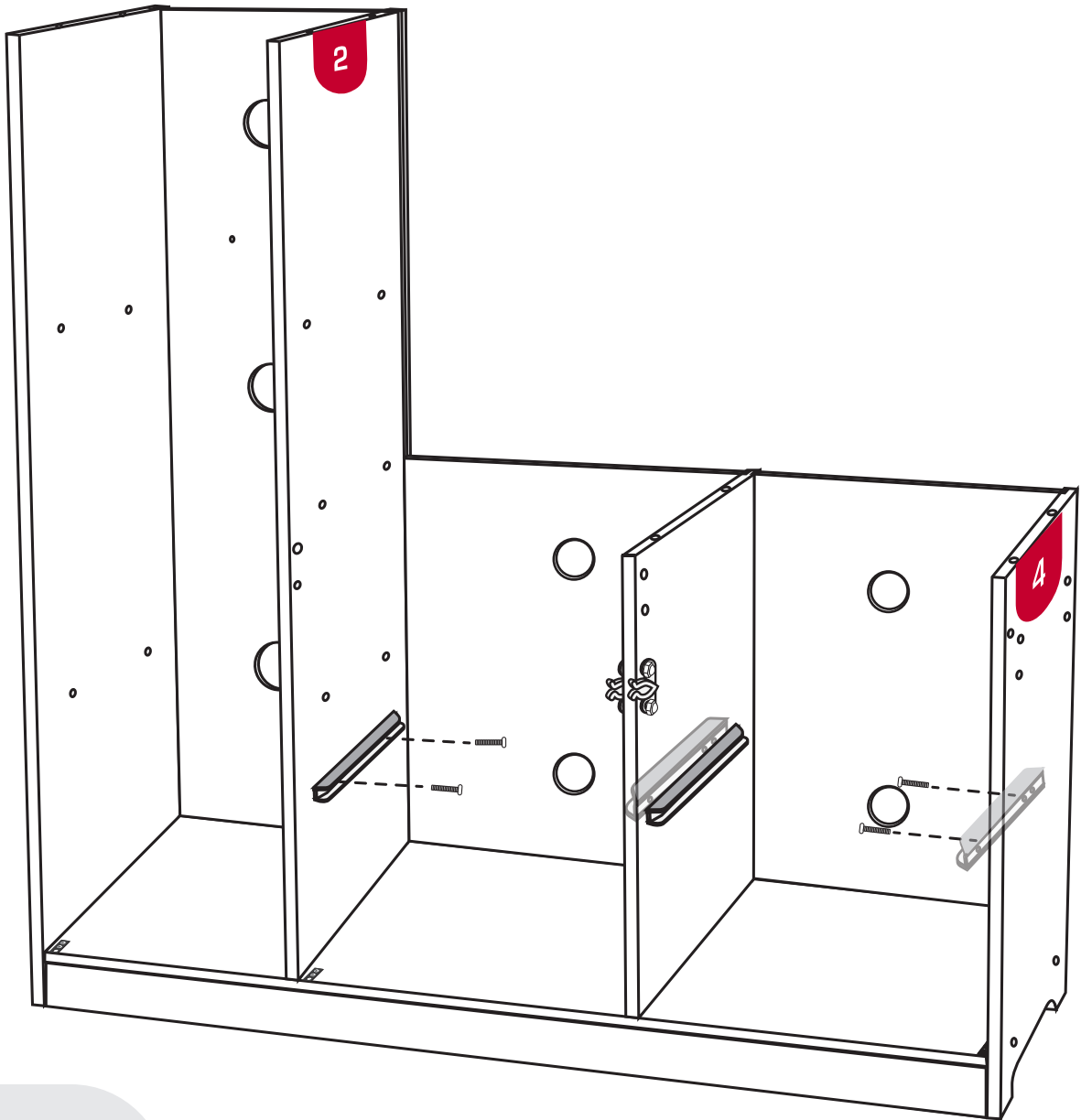
B 
x2



Step 14

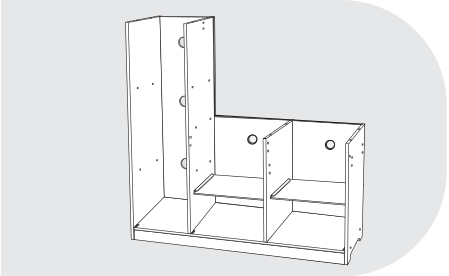
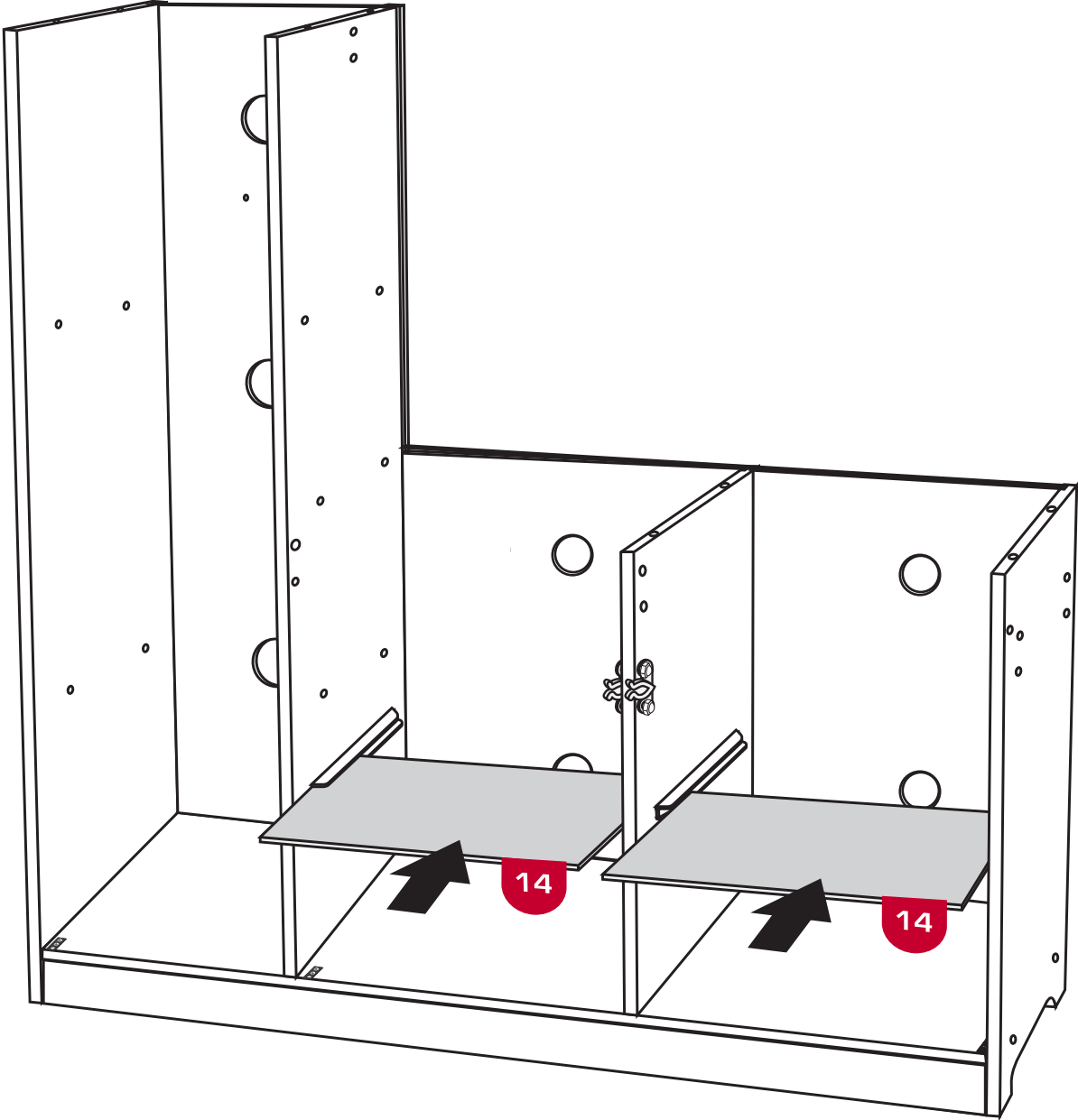
- Fasten one (1) shelf holder each on panel 2 and panel 4 using two (2) E screws each.
- Be sure to use the inner screw holes on the shelf holders.

E 
x4




Step 15

- Insert shelves 14 into their respective slots.

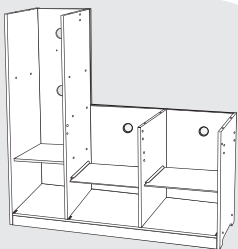
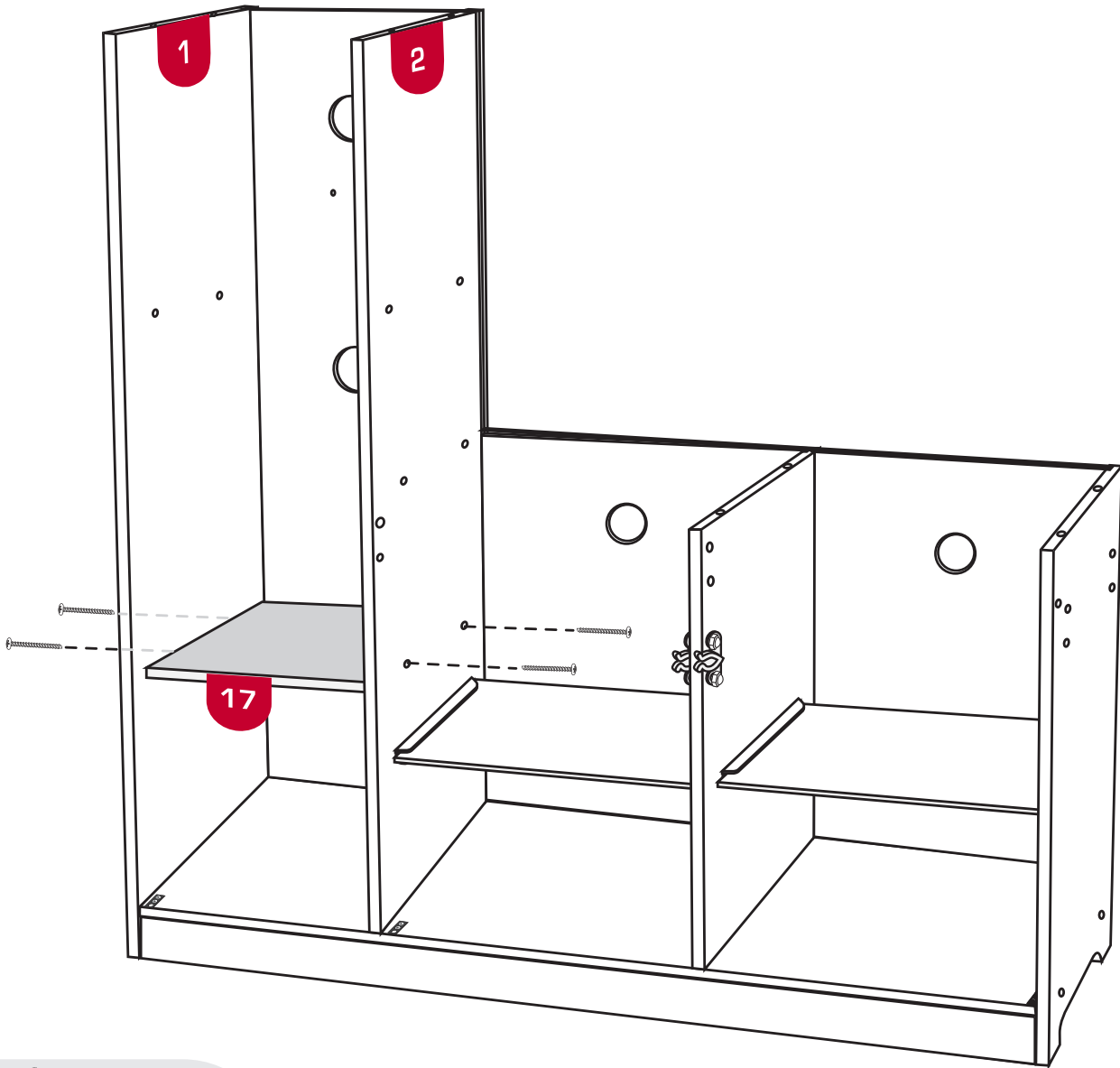


Step 16

- Mount panel 17 between panels 1 and 2 on the bottom-most screw holes using four (4) A screws.
- Ensure the smooth side is facing up on panel 17.


A 

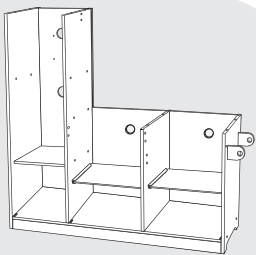
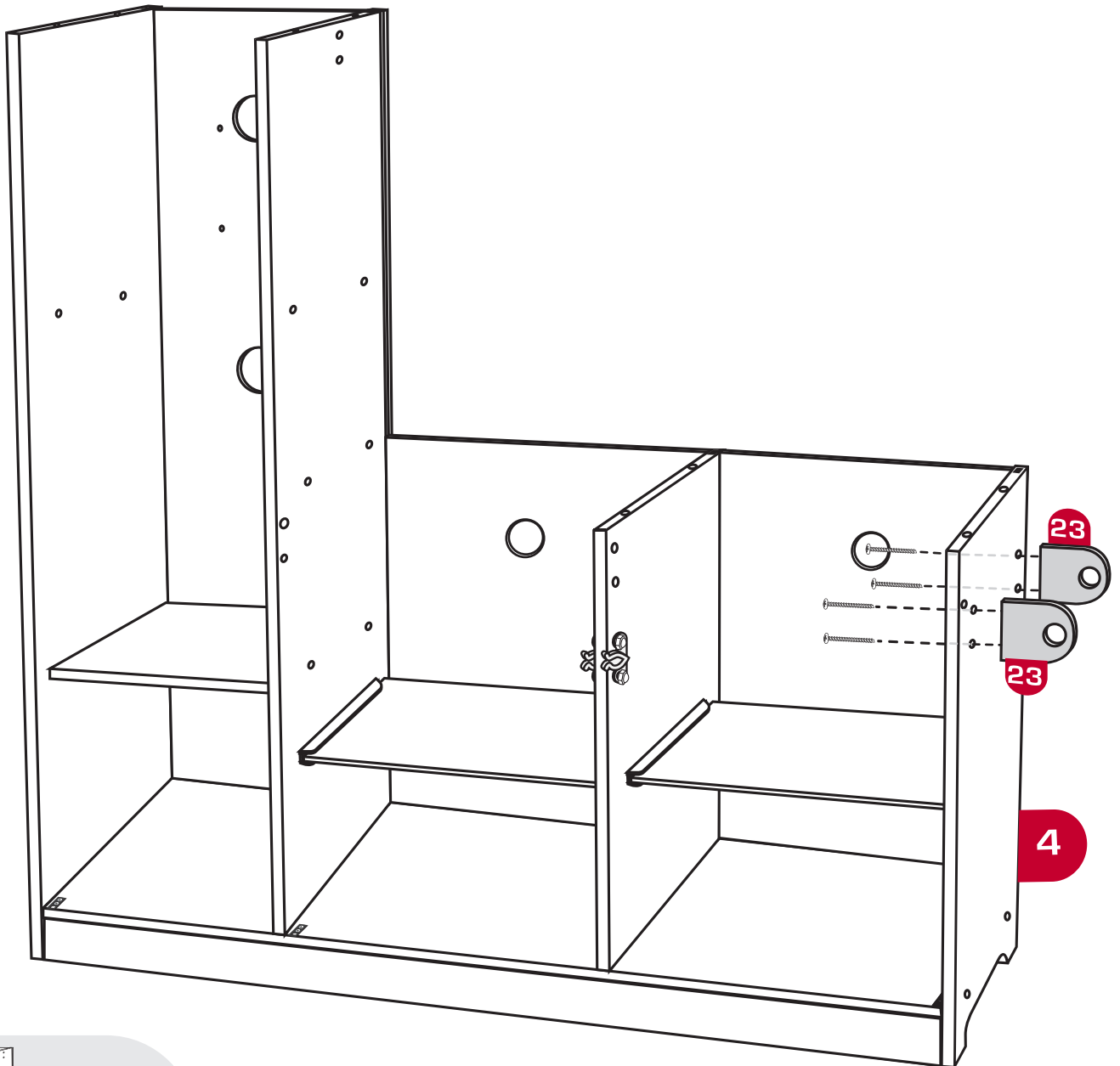
x4



Step 17

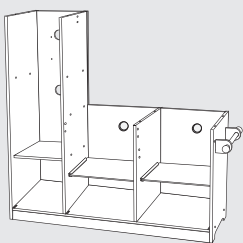
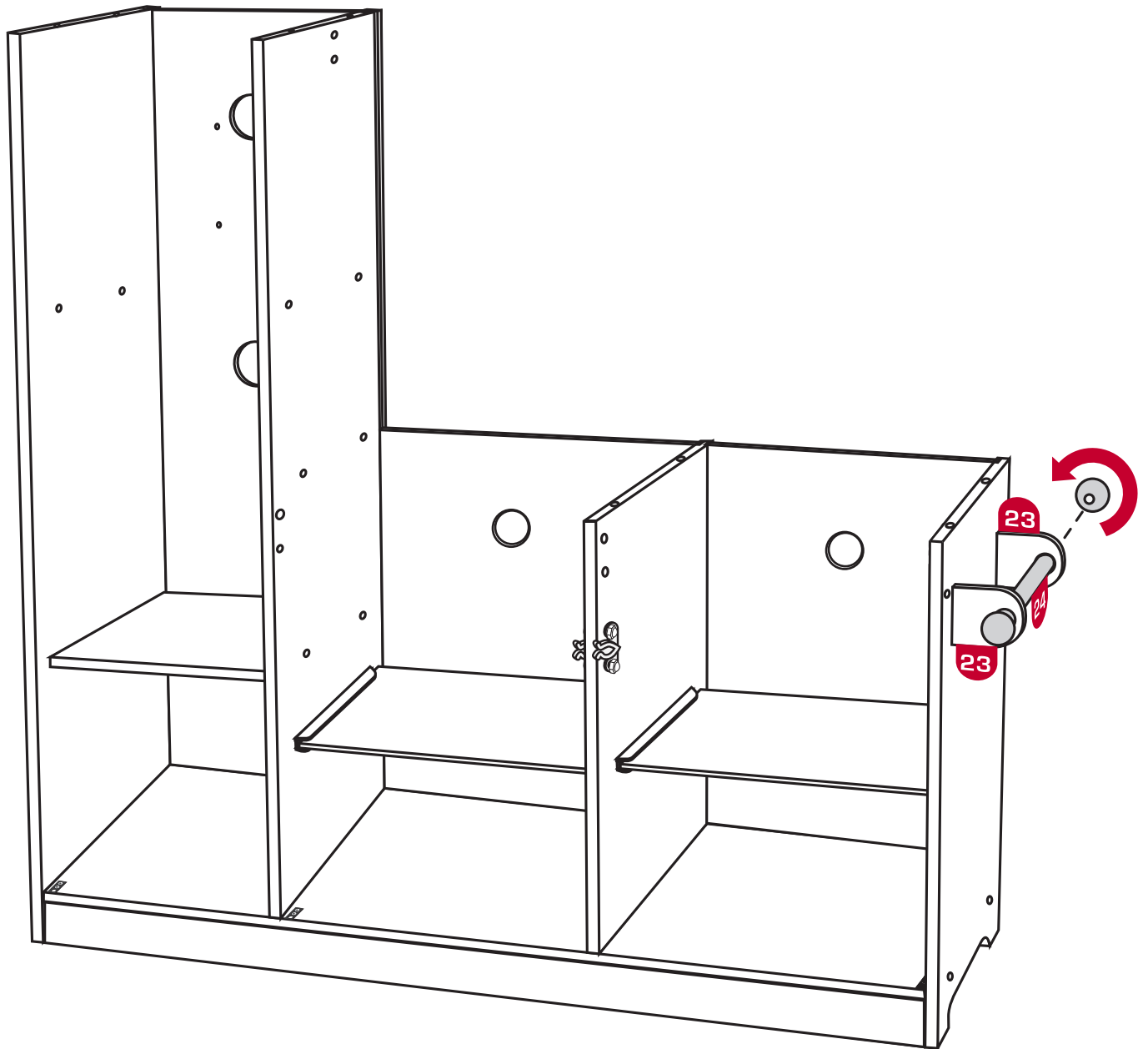
- Mount panels 23 to the outside of panel 4 using four (4) A screws.

A 
x4



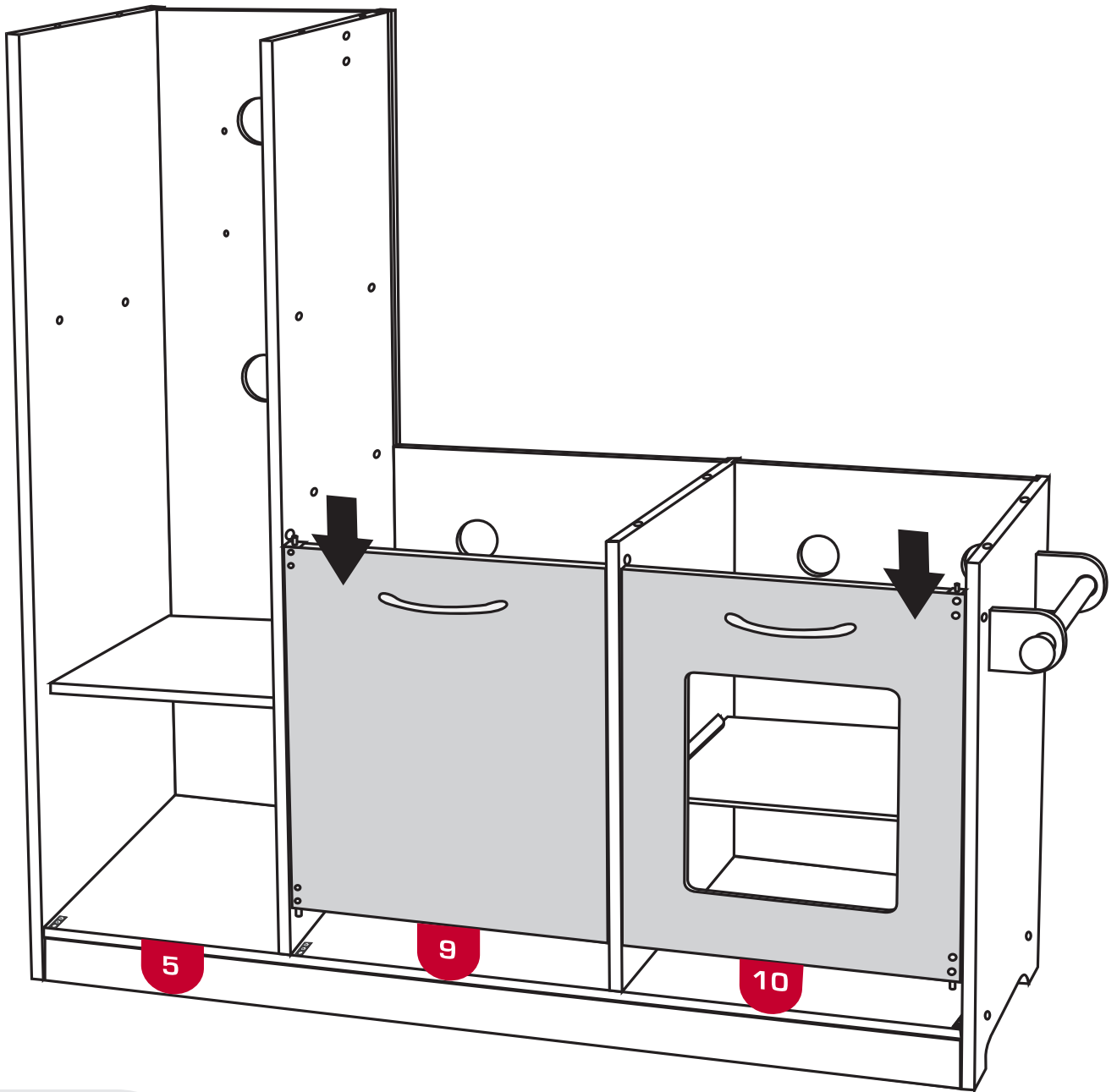
Step 18

- Unscrew one end of towel rack 24, pass the rack between panels 23, and reattach the end to lock in place.




Step 19

- Align doors 9 and 10 into the hinges on panel 5.

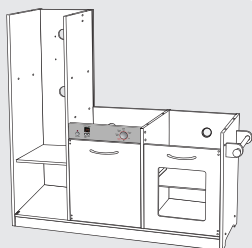
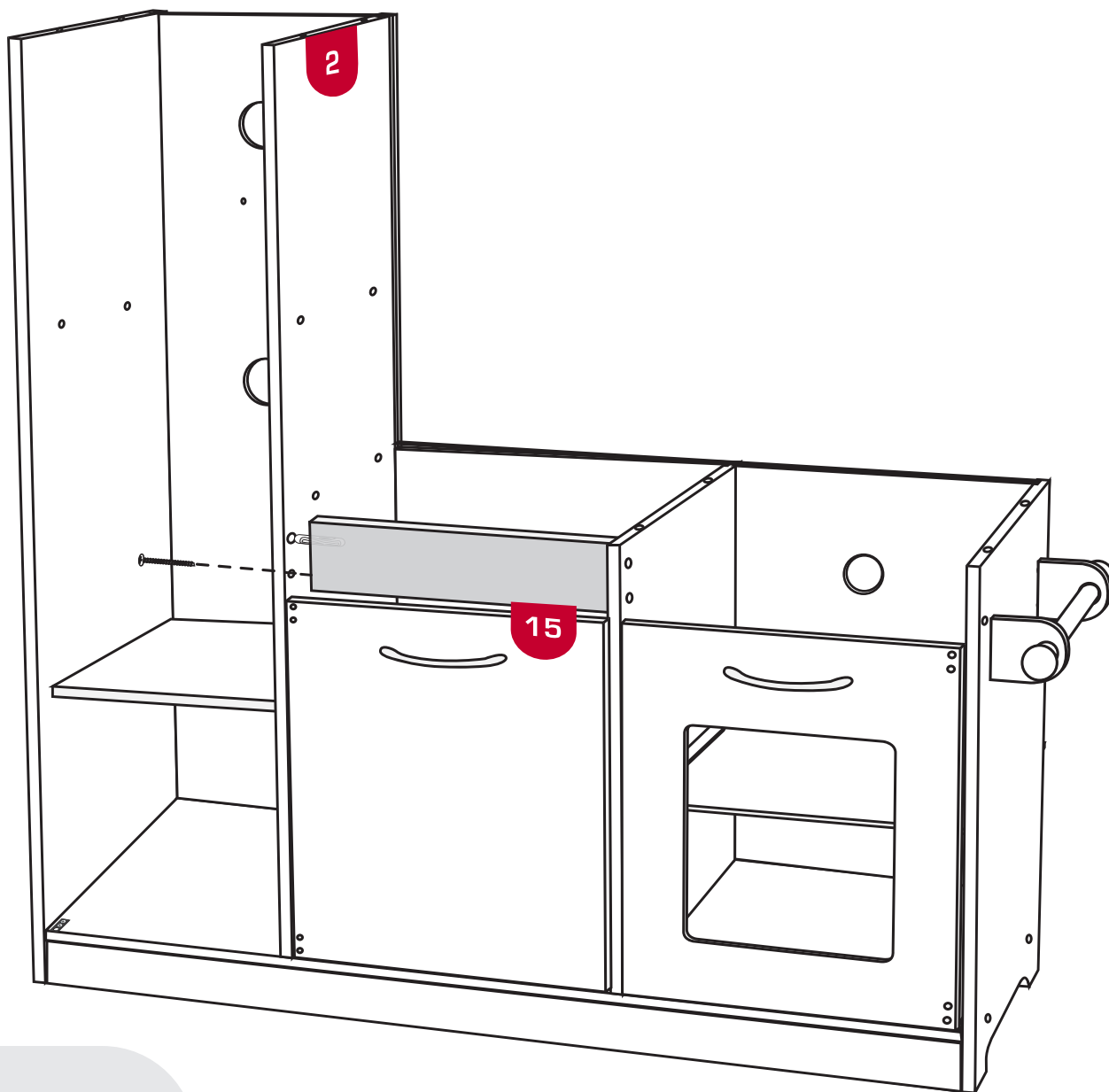


Step 20

- Connect panel 15 to panel 2 with the icons facing out.
- Use a dowel for the upper connection and fasten one (1) A screw for the lower connection.


A  x1

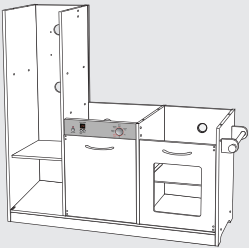
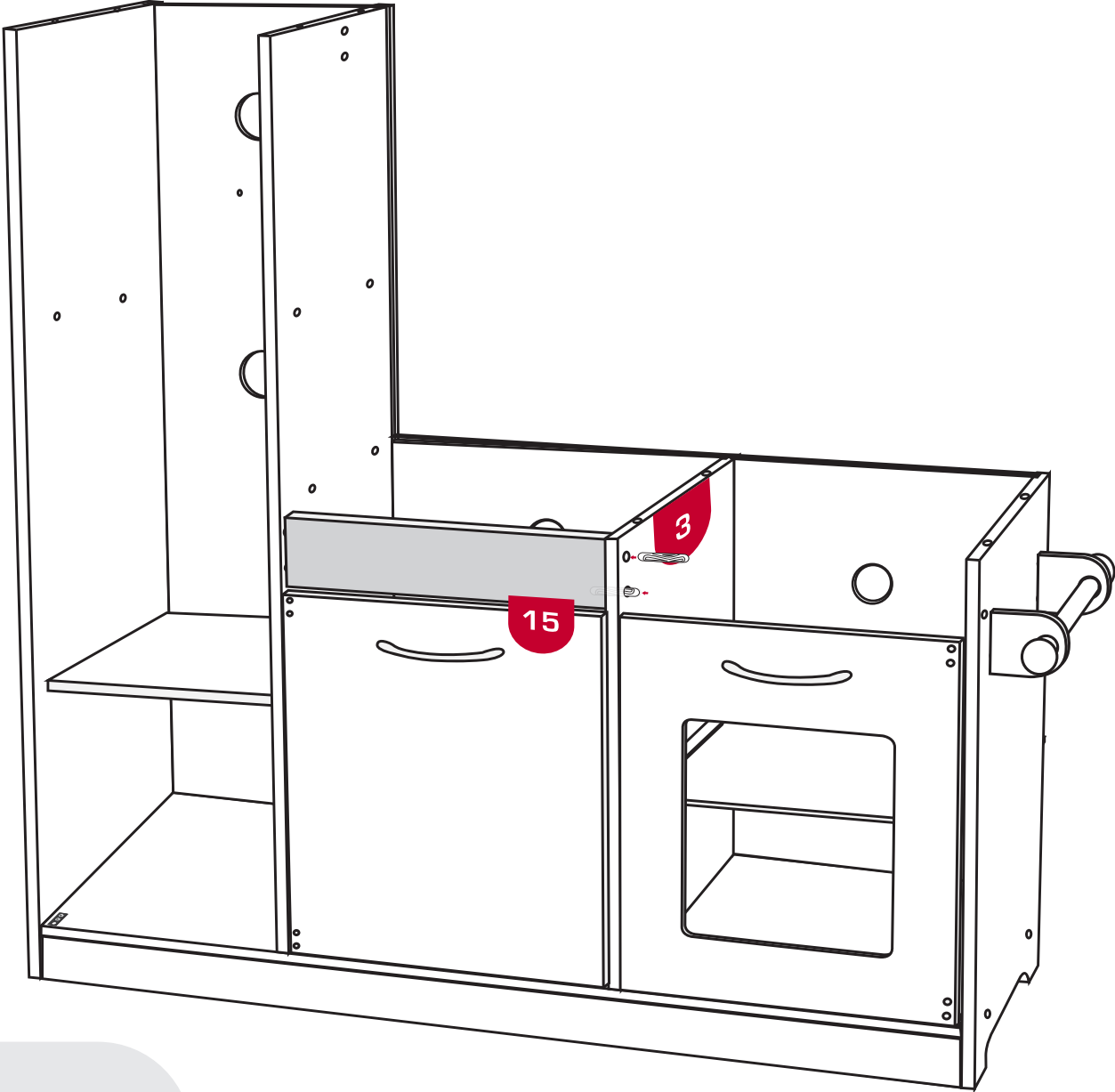
J  x1



Step 21

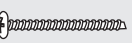
- Insert two (2) dowels into panel 15 through the holes on panel 3.
- Push these entirely through.

J 
x2

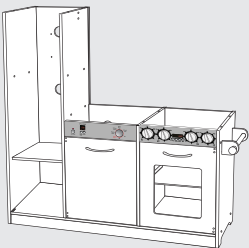
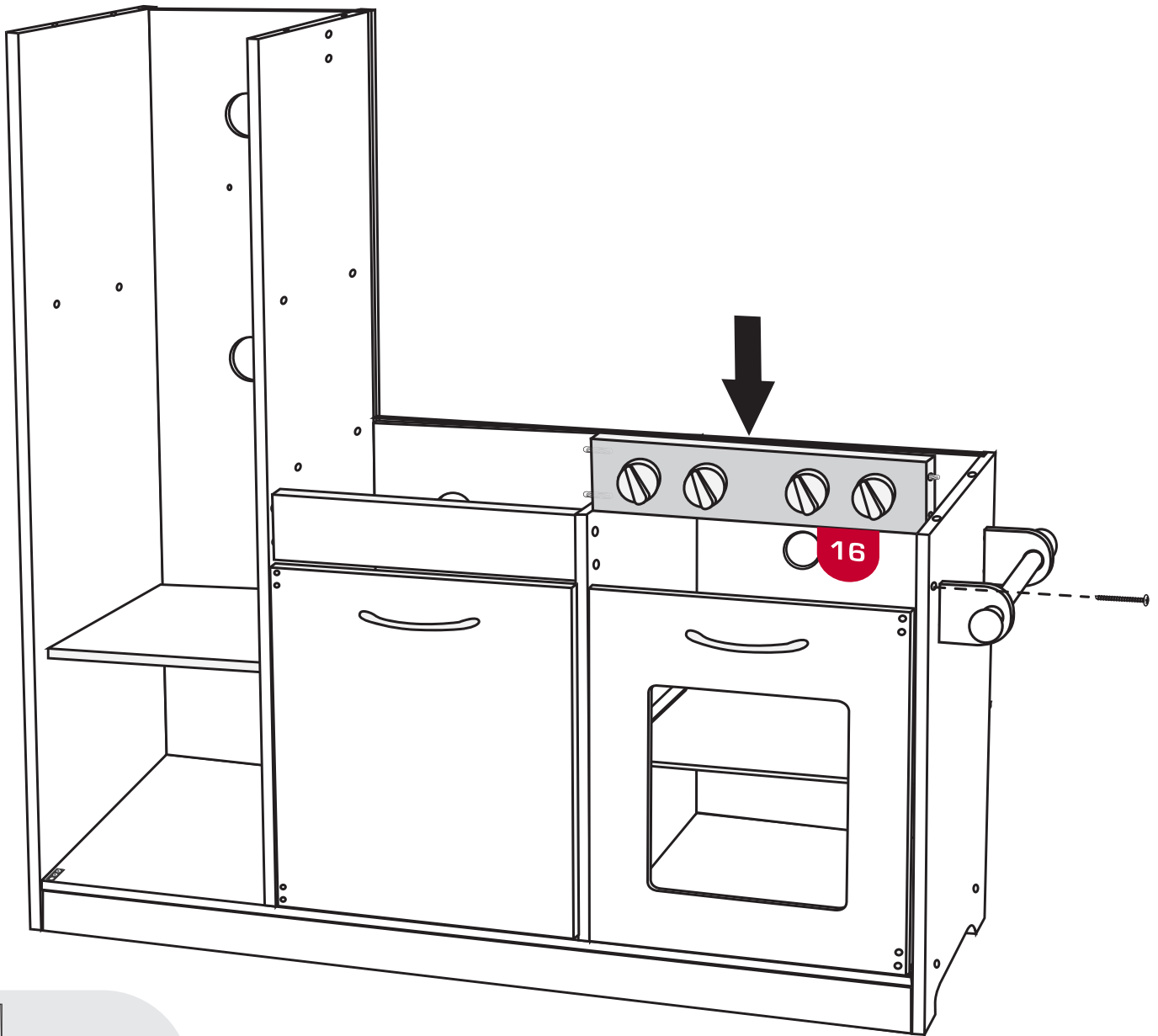


Step 22

- Insert two (2) dowels into panel 16 and align the panel into the holes on panel 3.
- Attach panel 16 to panel 4 using one (1) dowel for the upper connection and one (1) A screw for the lower connection.

A  x1

J  x3



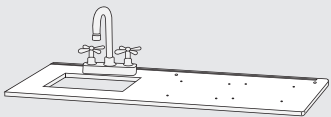
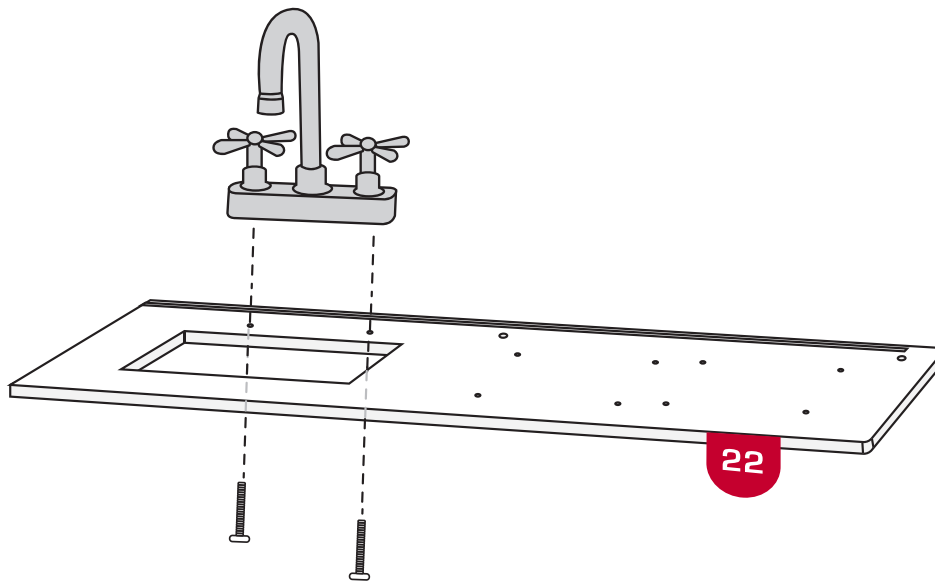
Step 23

- Fasten faucet to countertop using two (2) L screws.

L



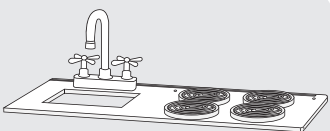
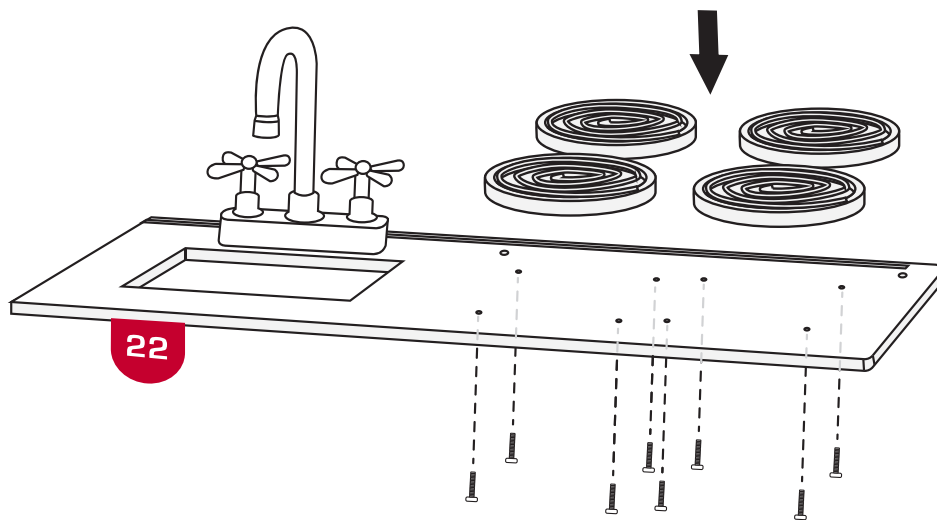
x2



Step 24

- Mount the four (4) stovetop burners to the countertop using eight (8) E screws.

E 
x8



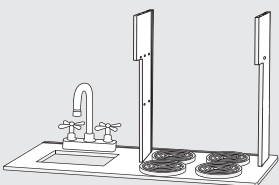
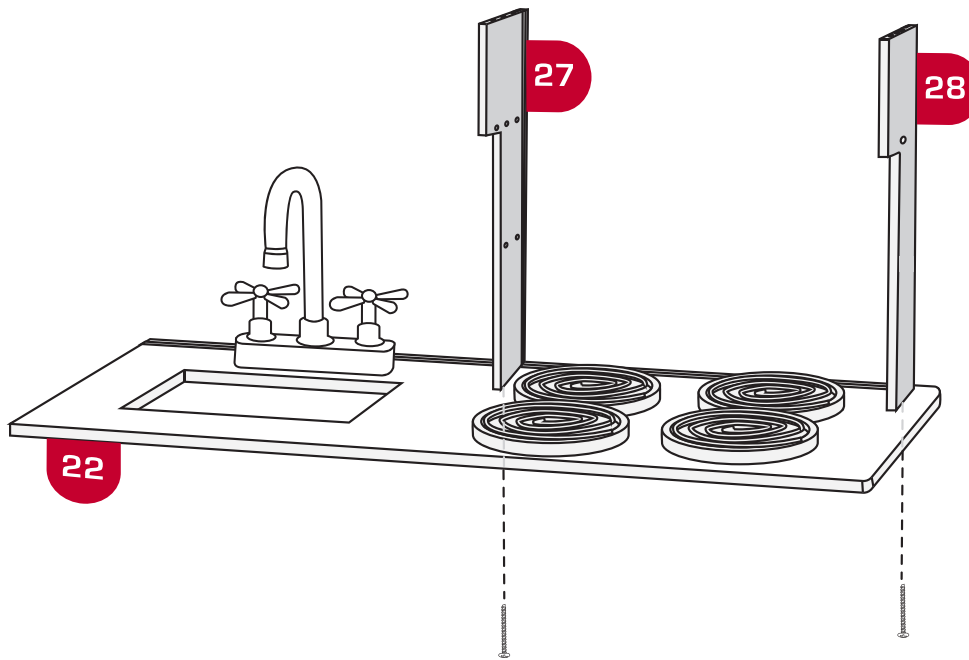
Step 25

- Fasten panels 27 and 28 to the countertop with one (1) A screw each.

Make sure that the back grooves are aligned. Panel 27 will have back grooves on both sides while panel 28 will only have a back groove on one side.


A 

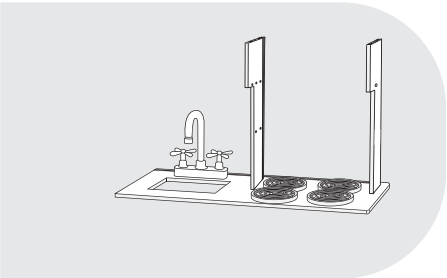
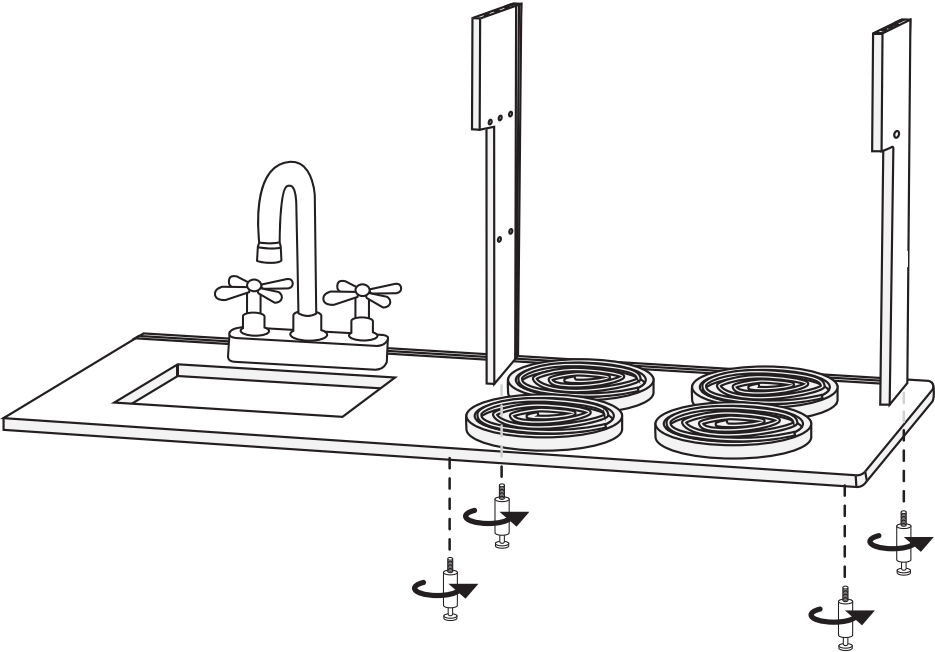
x2



Step 26

- Screw four (4) F cam lock screws into the bottom of the countertop.

F 
x4



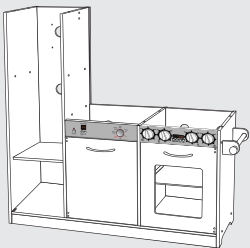
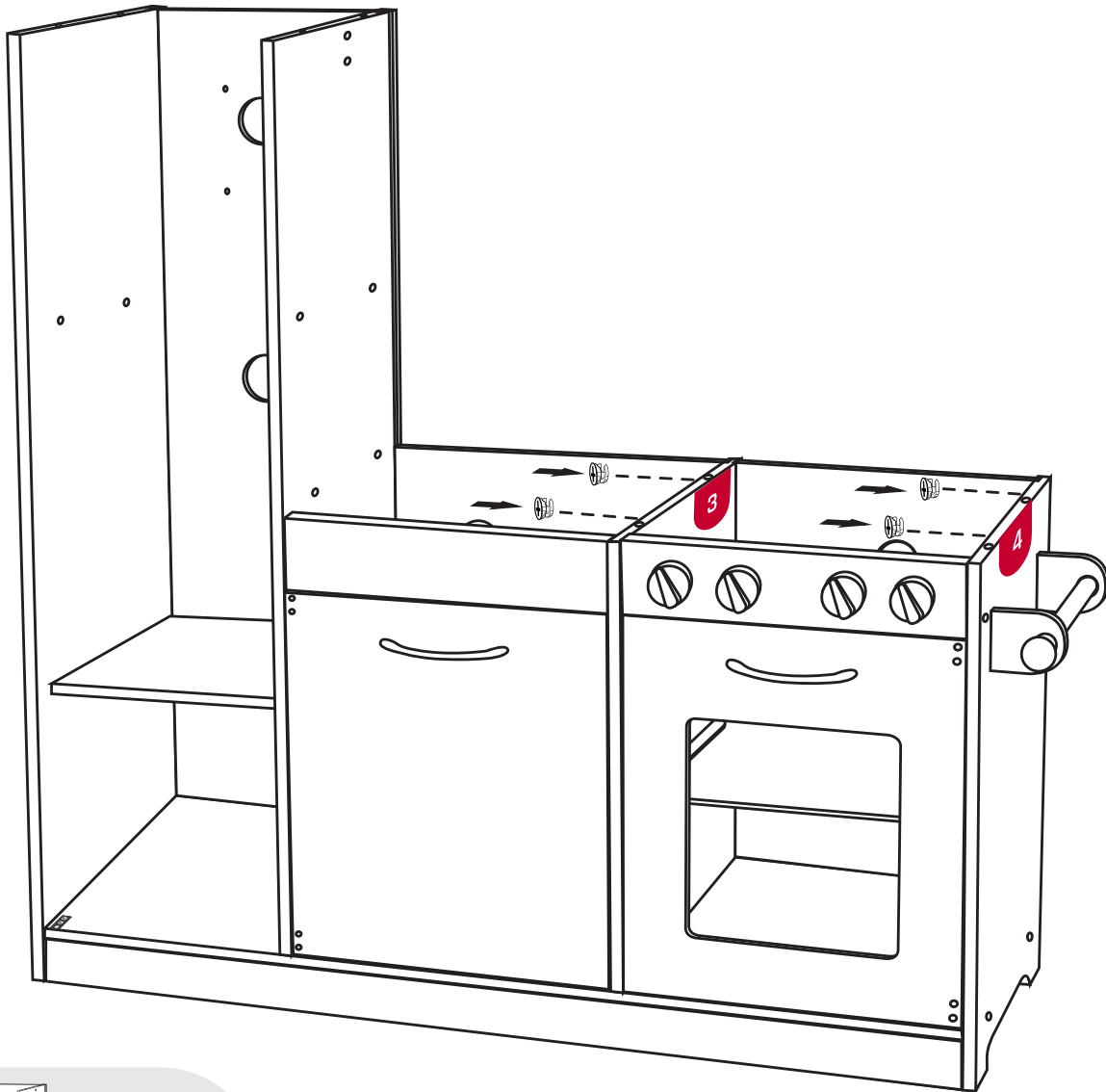
Step 27

- Align the four (4) F cam lock nuts into the holes on panels 3 and 4.

F



x4



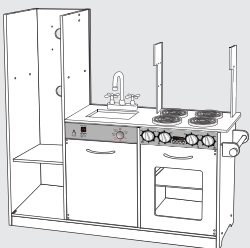
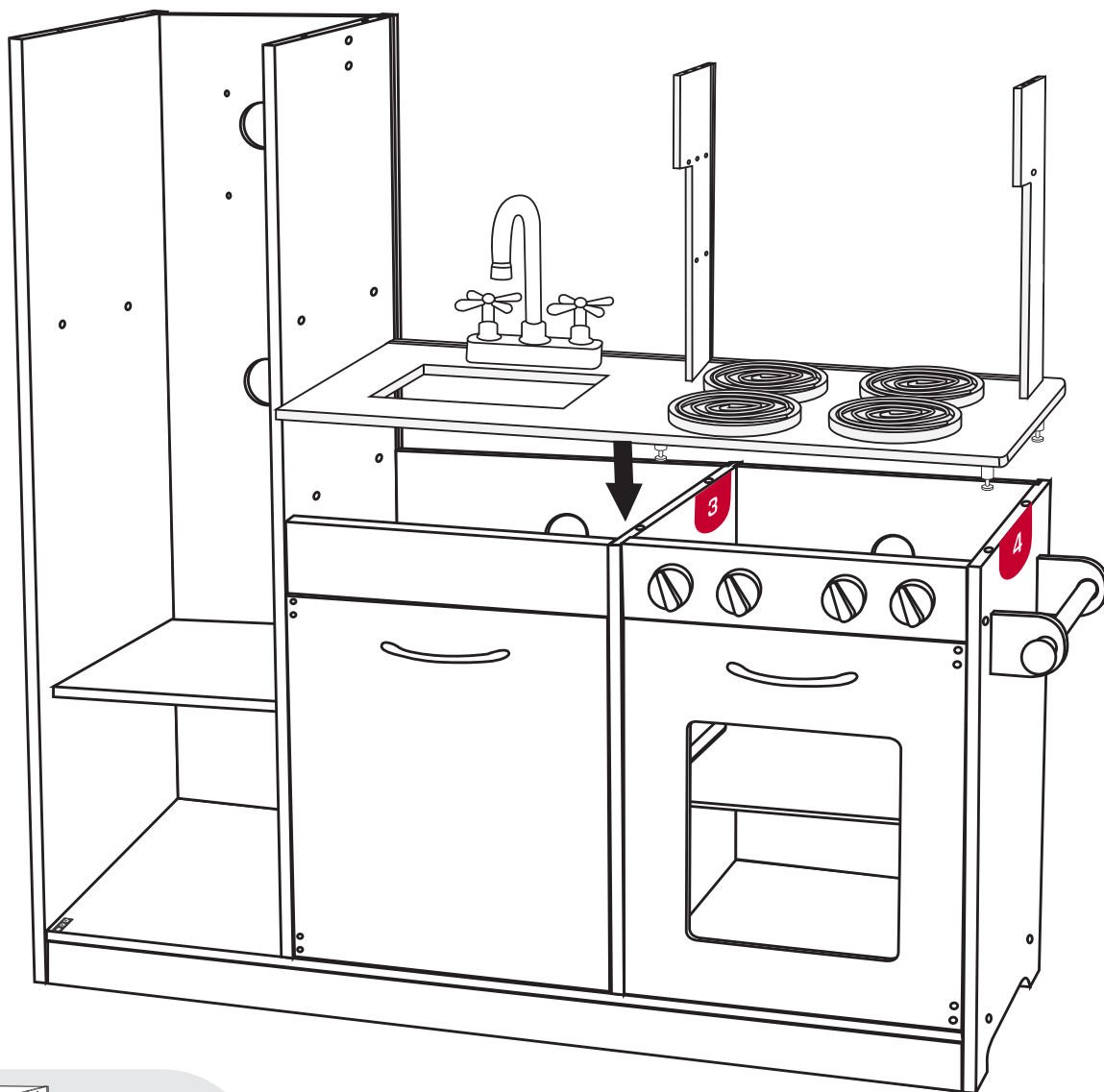
Step 28

- Align the countertop onto the main assembly with the four (4) F cam lock screws lining up with the holes on panels 3 and 4.
- Once aligned, give each F cam lock nut a half turn to lock in place.

F




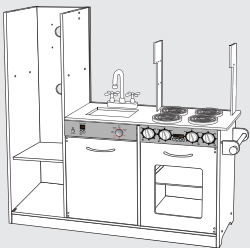
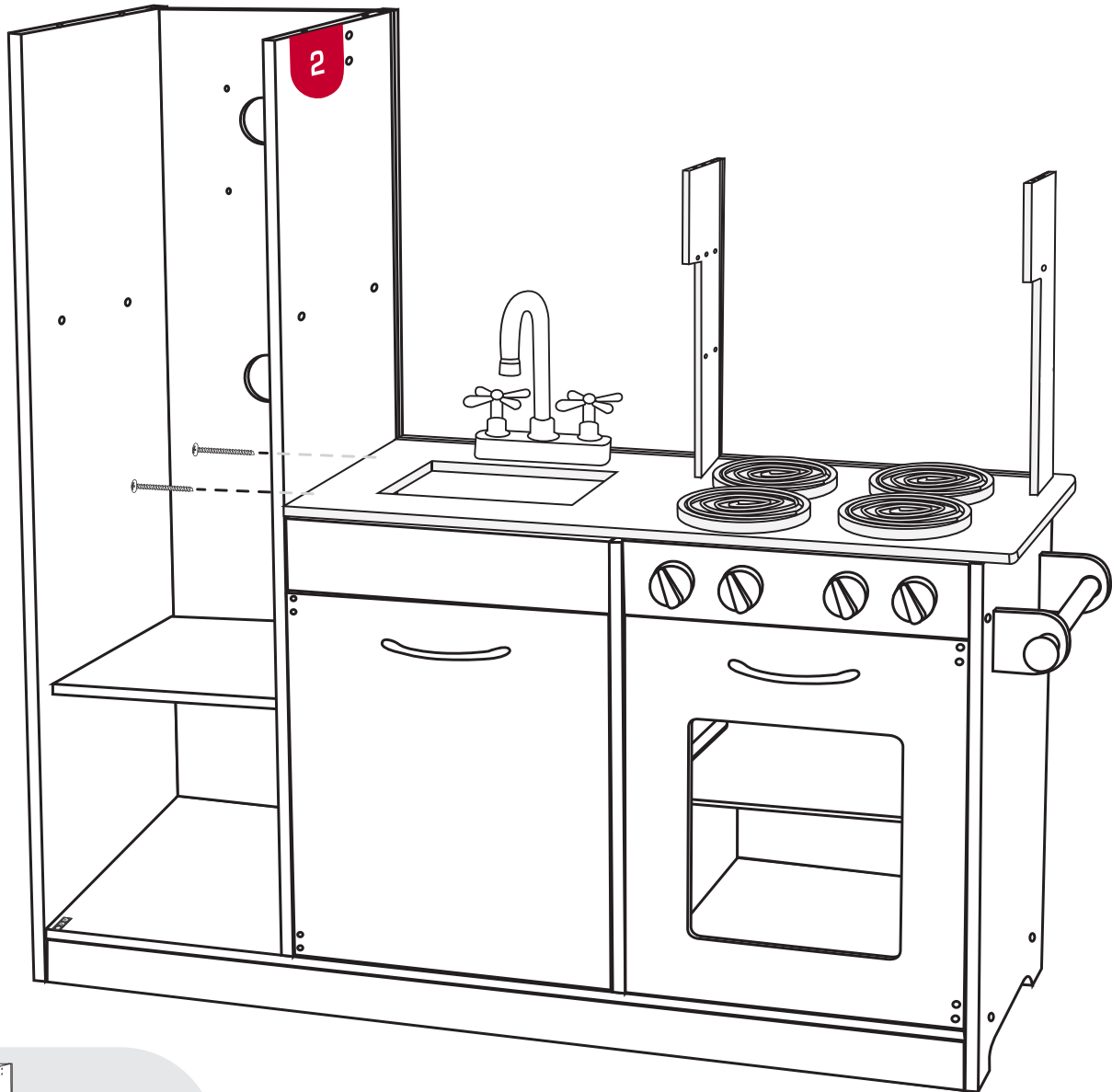
x4



Step 29

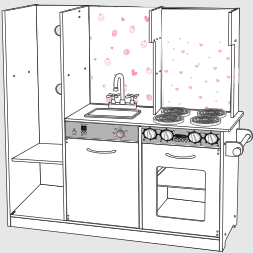
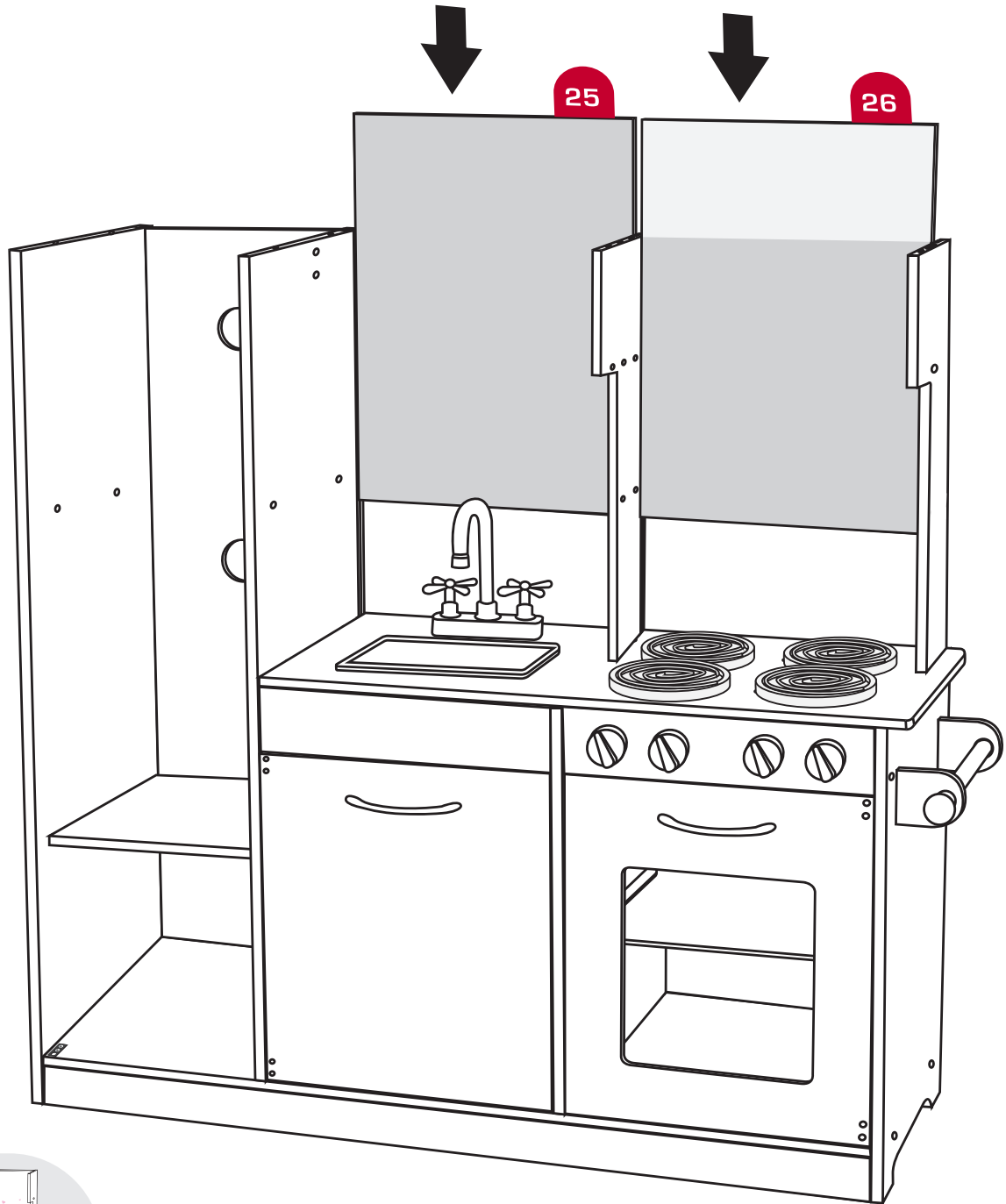
- Fasten two (2) A screws to the countertop through the holes on panel 2.

A 
x2



Step 30

- Insert panels 25 and 26 into their respective slots.
- ! Make sure the blank area on panel 26 is facing up.

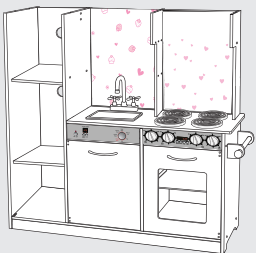
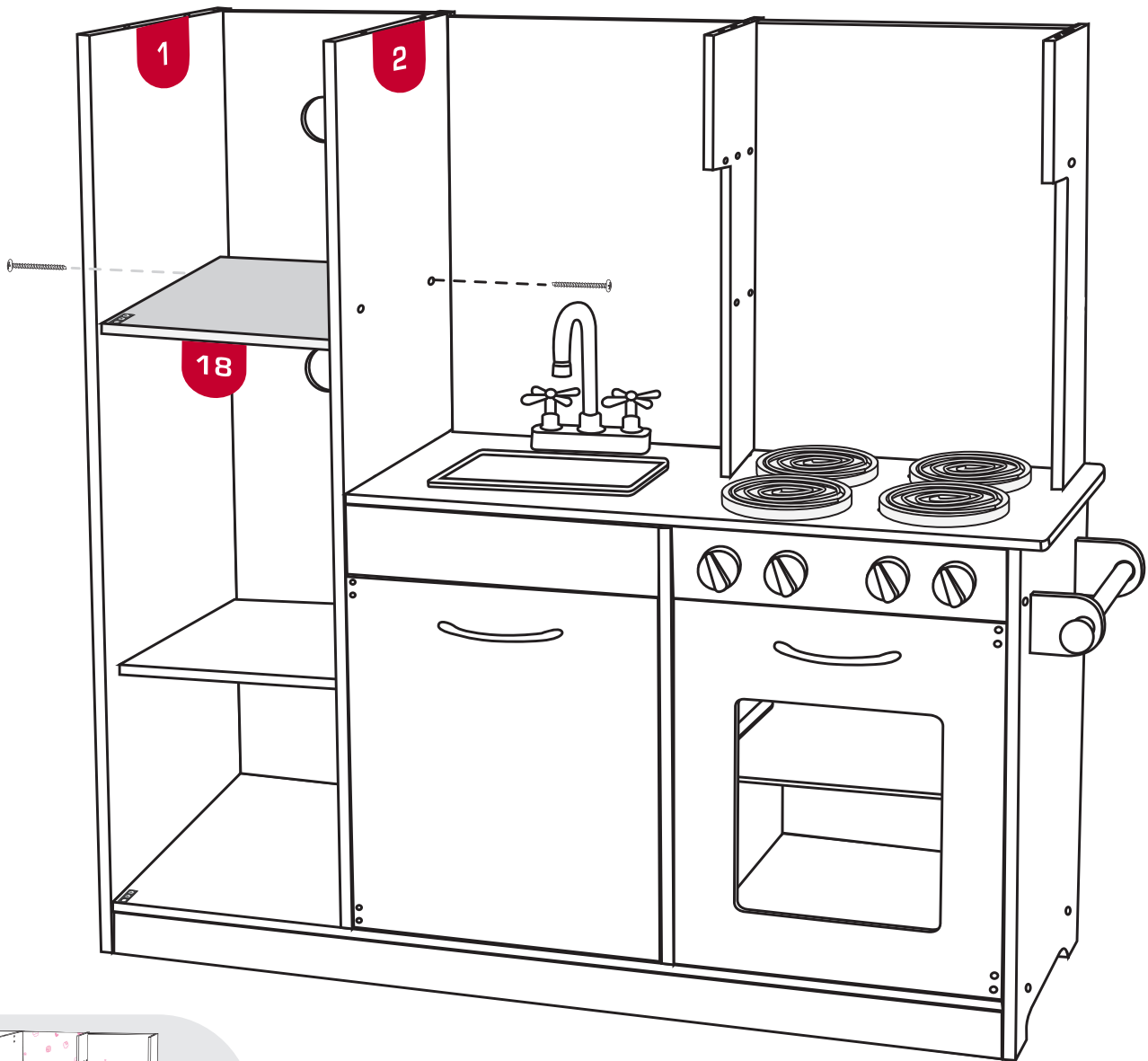


Step 31

- Attach panel 18 to panels 1 and 2 by the back two (2) A screws only.

Make sure the smooth side of panel 18 is facing up, and the hinge is on the front left side.

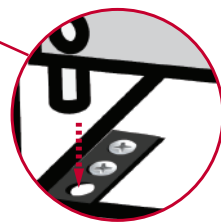
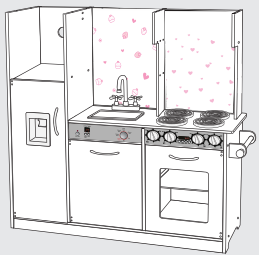
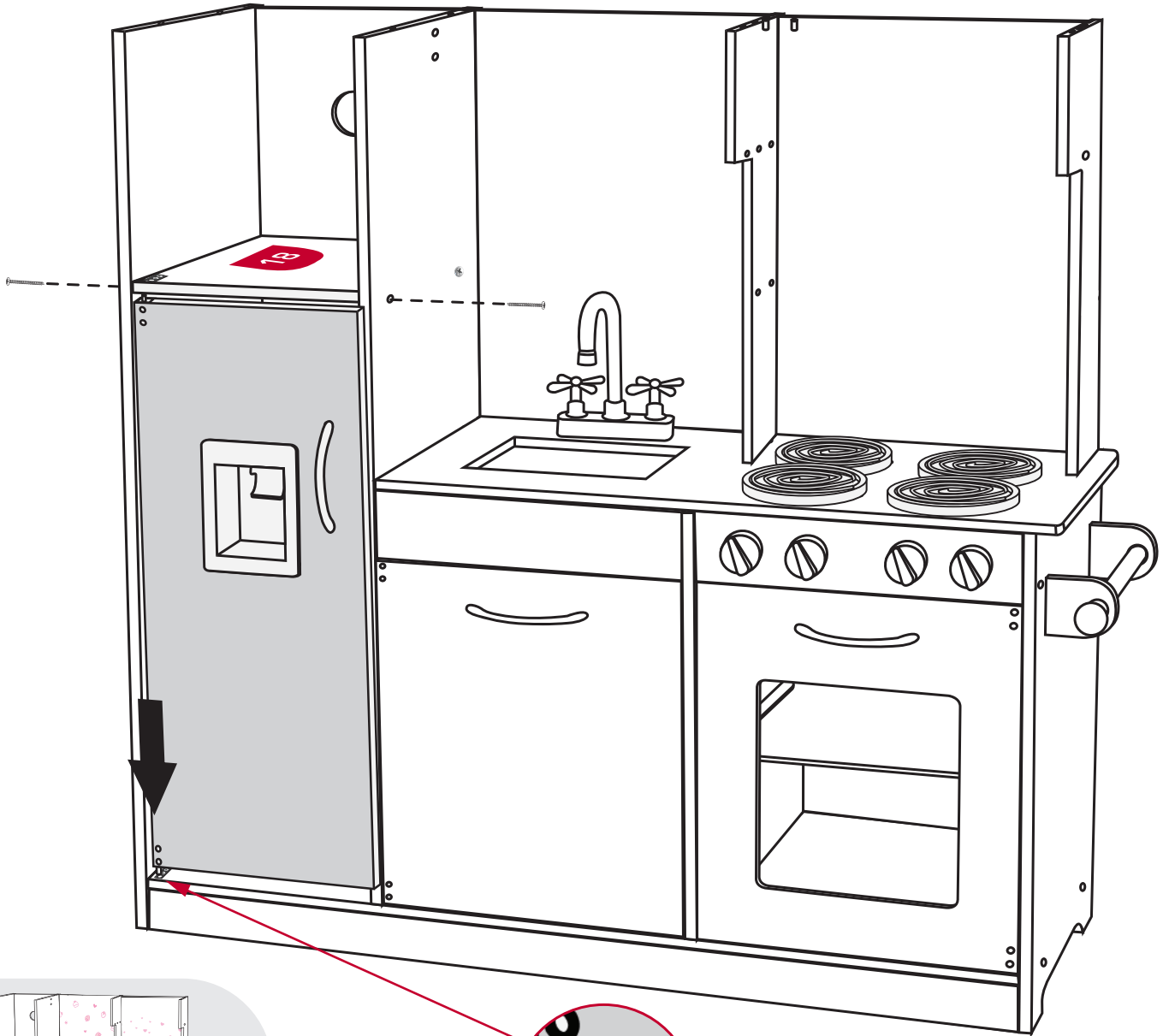
A 
x2



Step 32

- Align door 11 between the hinges on panel 5 and panel 18.
- Then, fasten panel 18 in place using the front two (2) A screws to mount the door in place.

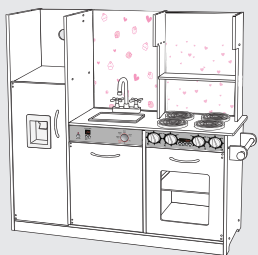
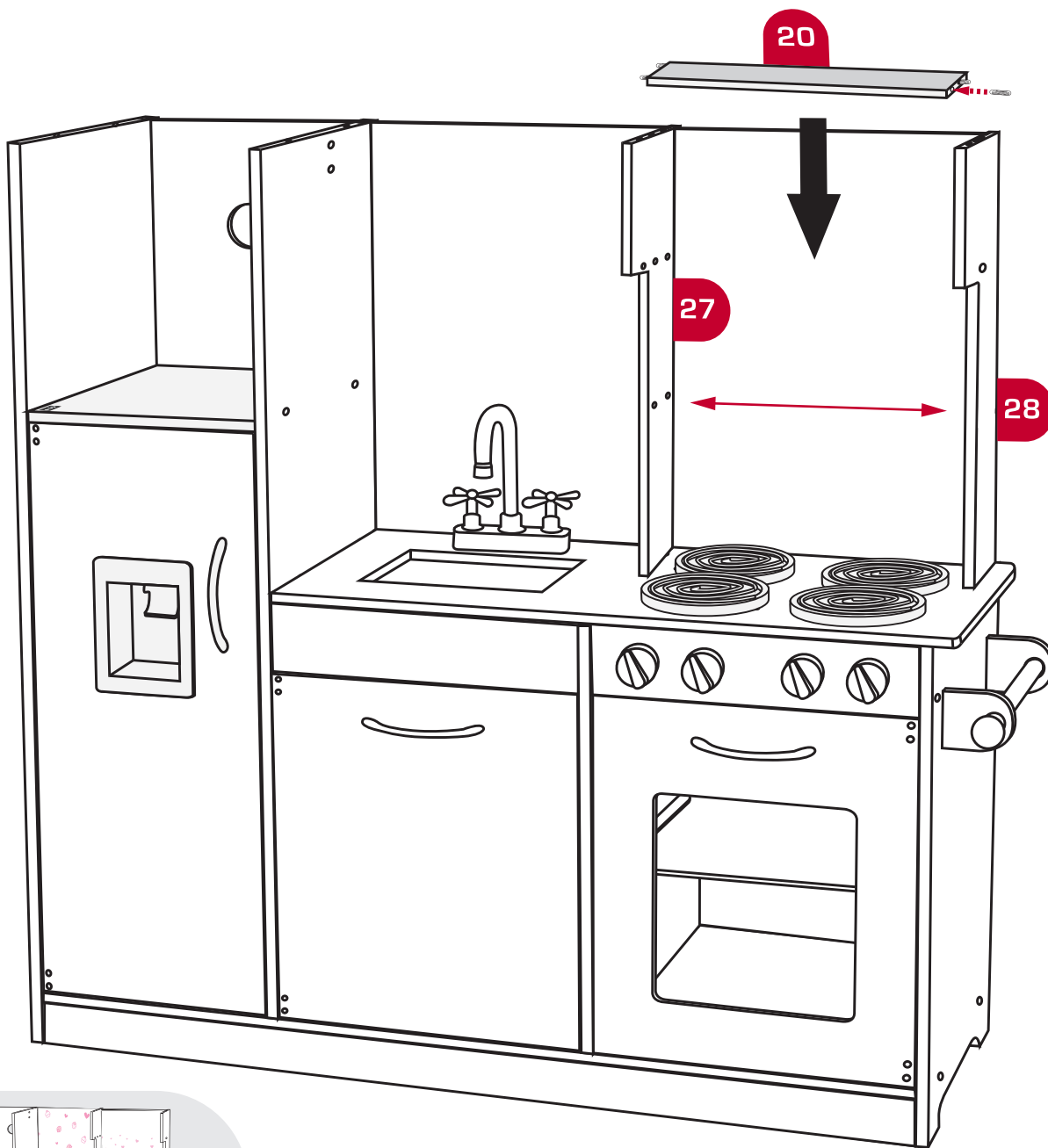
A 
x2



Step 33

- Insert four (4) dowels into panel 20 and connect it to panels 27 and 28.


J 
x4



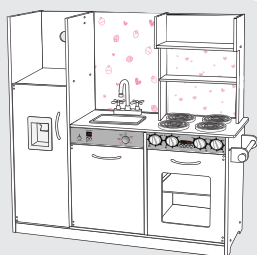
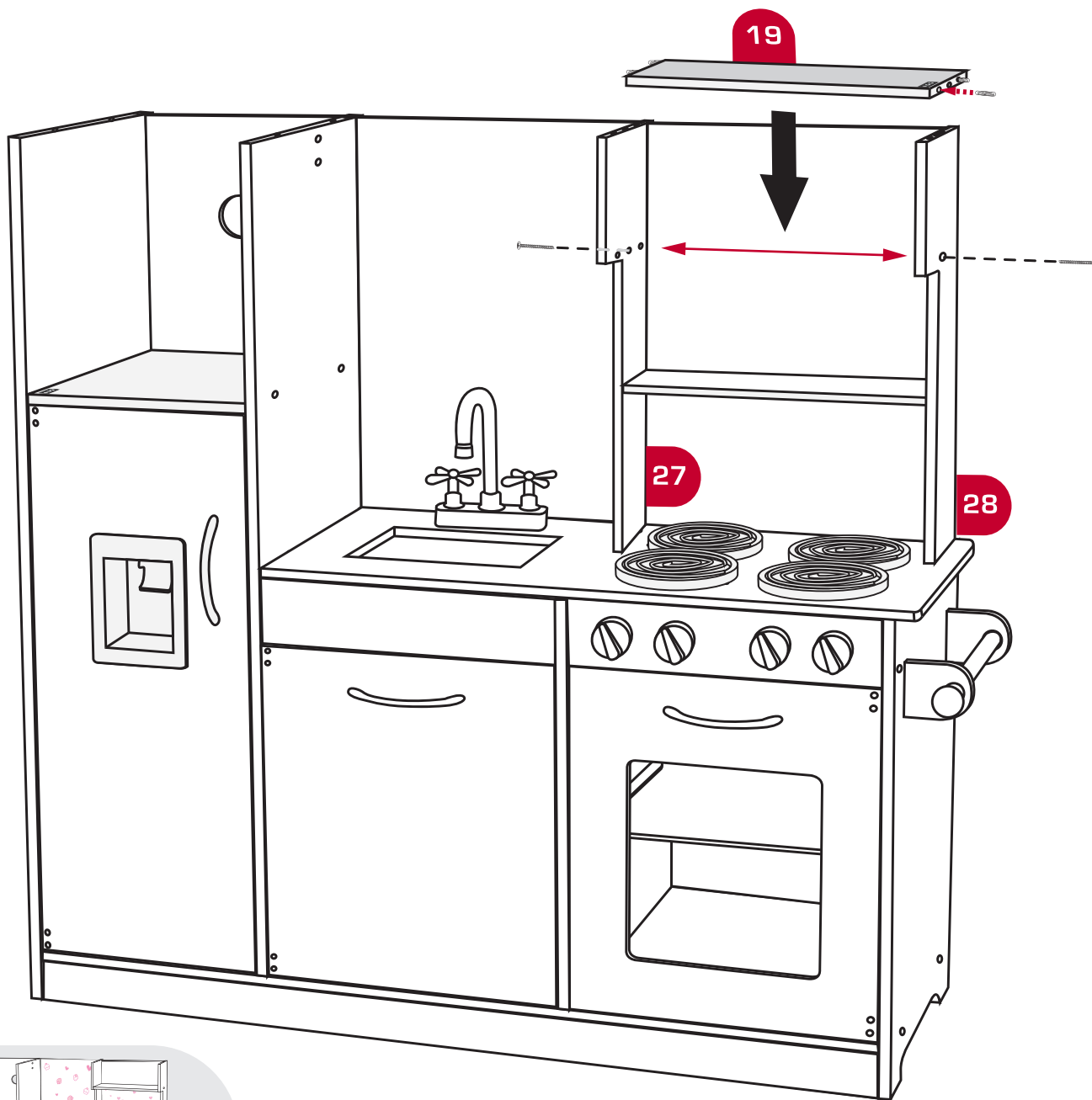
Step 34

- Mount panel 19 using four (4) dowels and two (2) A screws between panels 27 and 28 with the hinge facing up on the right-hand side.

J  x4

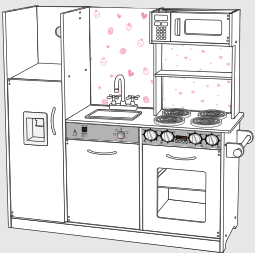
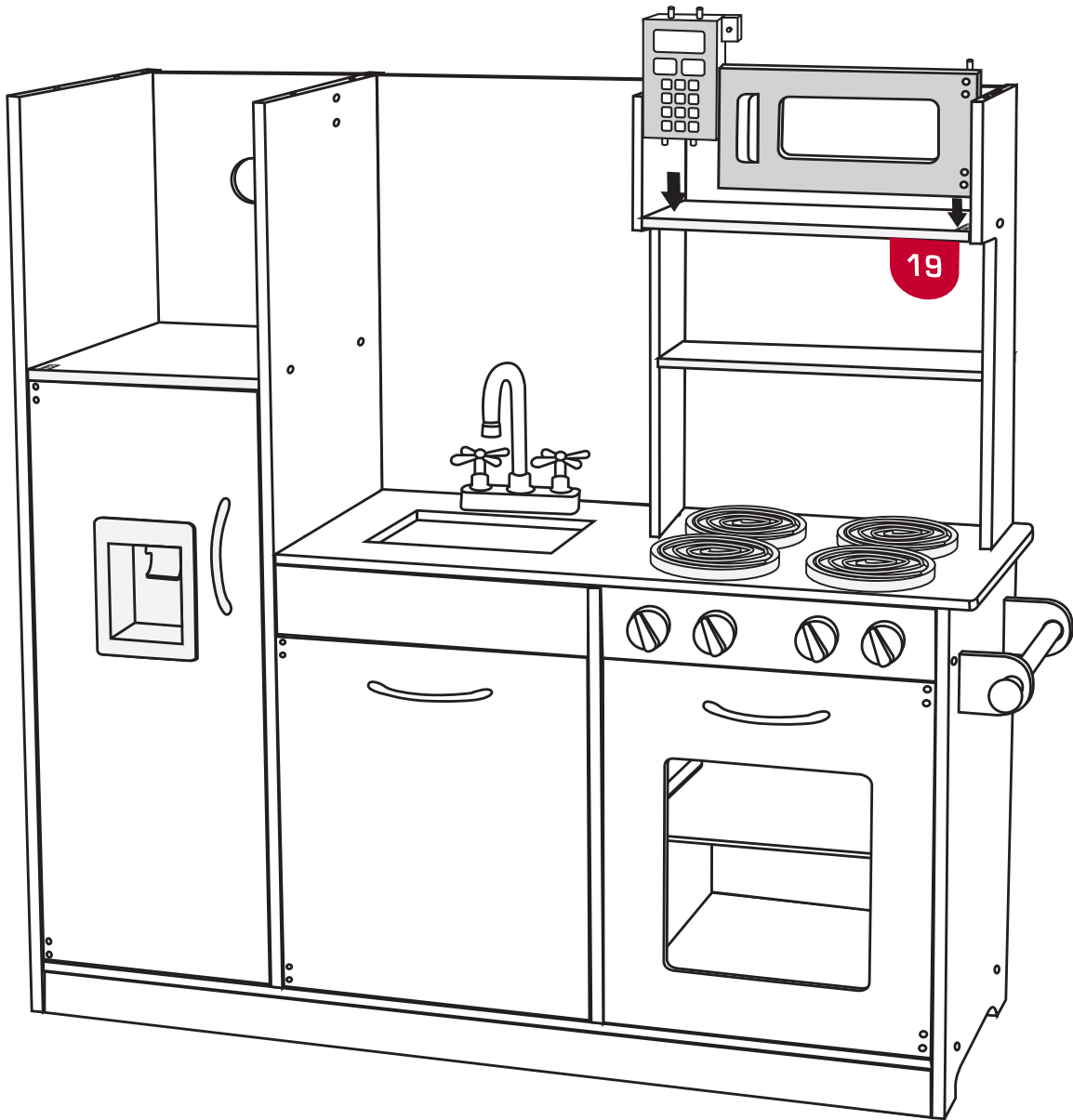
A  x2

Panel 20 may slide while mounting. Be sure panel 20 is in the proper place before tightening the final A screw on panel 19.



Step 35

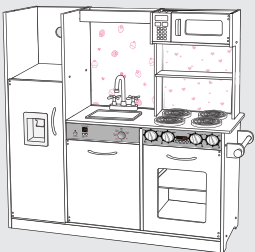
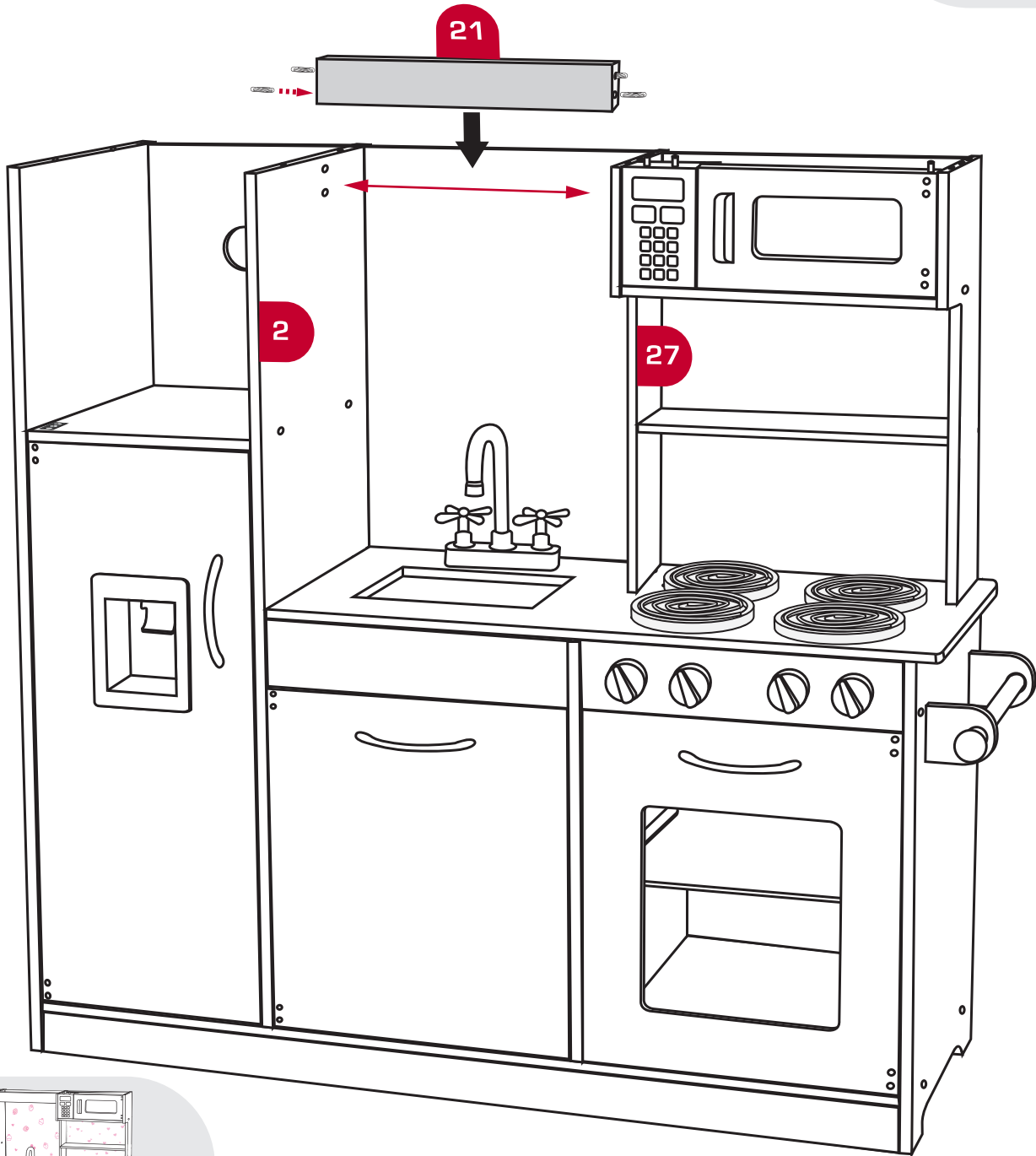
- Align door 7 and the microwave control panel with the hinge and slots on panel 19.



Step 36

- Attach panel 21 between panels 2 and 27 using four (4) wooden dowels.

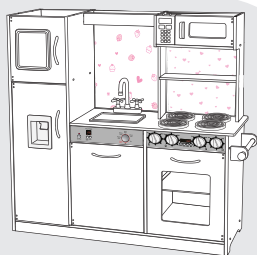
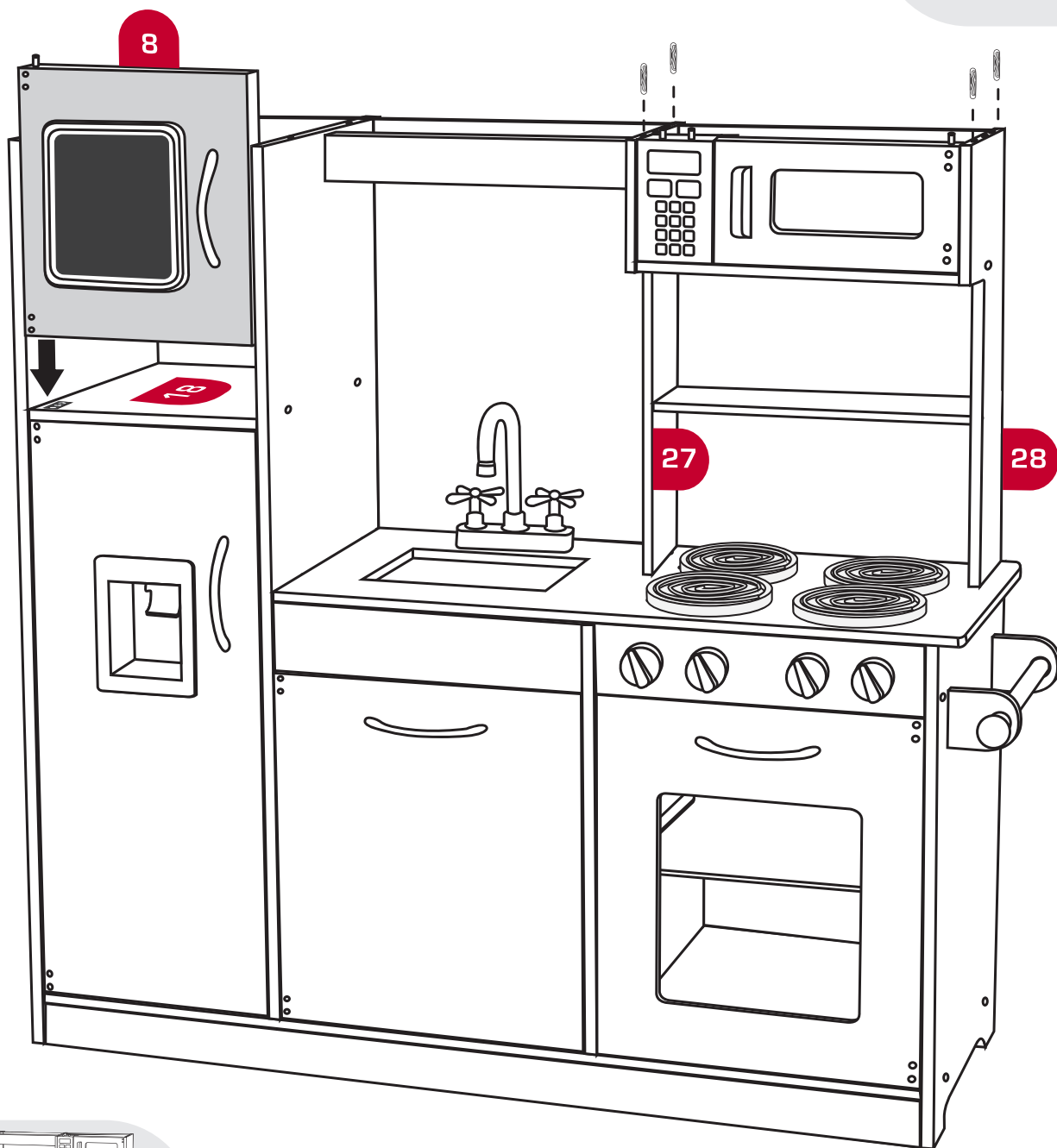
J 
x4



Step 37


- Align door 8 with the hinge on panel 18.
- Insert two (2) wooden dowels to the top of panel 27 and two (2) wooden dowels to the top of panel 28.

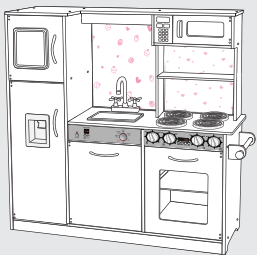
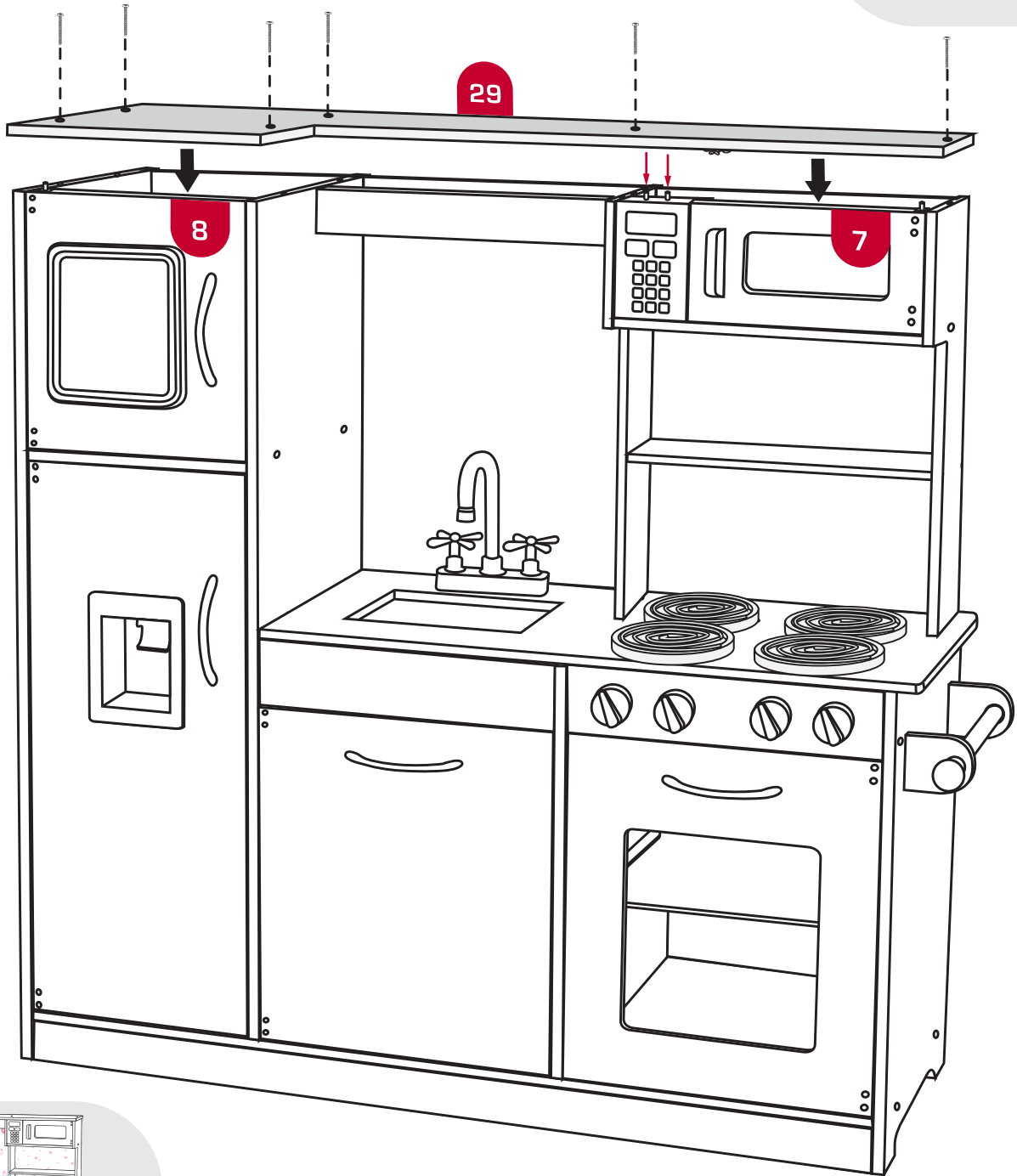
J 
x4



Step 38

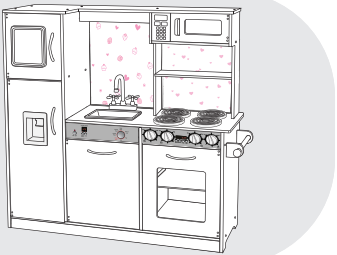
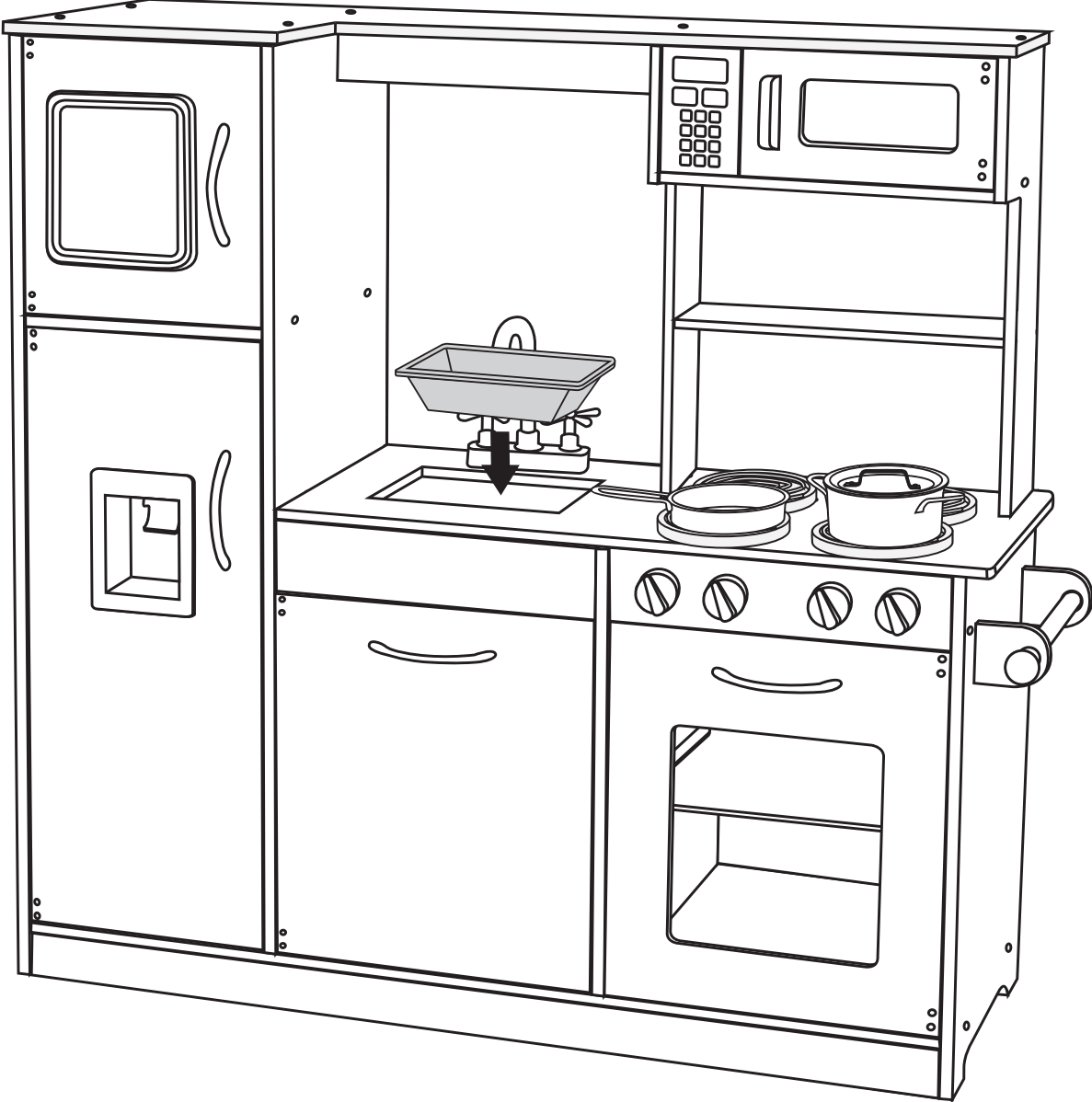
- Align panel 29 with the hinges on door 7 and door 8.
- Fasten panel 29 to the assembly using six (6) A screws.
- ! Make sure the microwave control panel slots into the grooves on panel 29.

A 
x6



Step 39

- Drop the sink in place, bring over the other accessories, and enjoy.



Limited Warranty to Original Consumer

This **Jumbl Wooden Play Kitchen (“Product”)**, including any accessories included in the original packaging, as supplied and distributed new by an authorized retailer is warranted by **C&A Marketing, Inc.** (the “Company”) to the original consumer purchaser only, against certain defects in material and workmanship (“**Warranty**”) as follows:

To receive Warranty service, the original consumer purchaser must contact the Company or its authorized service provider for problem determination and service procedures. Proof of purchase in the form of a bill of sale or receipted invoice, evidencing that the Product is within the applicable Warranty period(s), MUST be presented to the Company or its authorized service provider in order to obtain the requested service.

Service options, parts availability, and response times may vary and may change at any time. In accordance with applicable law, the Company may require that you furnish additional documents and/or comply with registration requirements before receiving warranty service. Please contact our customer service for details on obtaining warranty service:

Email: info@itsjumbl.com

Phone: 866-849-3049

Shipping expenses to the Company’s Return Facility are not covered by this warranty and must be paid by the consumer. The consumer likewise bears all risk of loss or further damage to the Product until delivery to said facility.

EXCLUSIONS AND LIMITATIONS The Company warrants the Product against defects in materials and workmanship under normal use for a period of ONE (1) YEAR from the date of retail purchase by the original end-user purchaser (“Warranty Period”). If a hardware defect arises and a valid claim is received within the Warranty Period, the Company, at its sole option and to the extent permitted by law, will either (1) repair the Product defect at no charge, using new or refurbished replacement parts, (2) exchange the Product with a Product that is new or which has been manufactured from new or serviceable used parts and is at least functionally equivalent to the original device, or (3) refund the purchase price of the Product.

A replacement Product or part thereof shall enjoy the warranty of the original Product for the remainder of the Warranty Period, or ninety (90) days from the date of replacement or repair, whichever provides you longer protection. When a Product or part is exchanged, any replacement item becomes your property, while the replaced item becomes the Company’s property. Refunds can only be given if the original Product is returned.

This Warranty does not apply to:

- (a)** Any non-Jumbl Wooden Play Kitchen product, hardware or software, even if packaged or sold with the Product;
- (b)** Damage caused by use with non-Jumbl Wooden Play Kitchen product;
- (c)** Damage caused by accident, abuse, misuse, flood, fire, earthquake, or other external causes;
- (d)** Damage caused by operating the Product outside the permitted or intended uses described by the Company;
- (e)** Damage caused by third party services;
- (f)** A Product or part that has been modified to alter functionality or capability without the written permission of the Company;
- (g)** Consumable parts, such as batteries, fuses, and bulbs;
- (h)** Cosmetic damage; or

(i) If any Jumb! Wooden Play Kitchen serial number has been removed or defaced.

This Warranty is valid only in the country where the consumer purchased the Product, and only applies to Products purchased and serviced in that country.

The Company does not warrant that the operation of the Product will be uninterrupted or error-free. The Company is not responsible for damage arising from your failure to follow instructions relating to its use.

NOTWITHSTANDING ANYTHING TO THE CONTRARY AND TO THE MAXIMUM EXTENT PERMITTED BY APPLICABLE LAW, THE COMPANY PROVIDES THE PRODUCT "AS-IS" AND "AS-AVAILABLE" FOR YOUR CONVENIENCE AND THE COMPANY AND ITS LICENSORS AND SUPPLIERS EXPRESSLY DISCLAIM ALL WARRANTIES AND CONDITIONS, WHETHER EXPRESSED, IMPLIED, OR STATUTORY, INCLUDING THE WARRANTIES OF MERCHANTABILITY, FITNESS FOR A PARTICULAR PURPOSE, TITLE, QUIET ENJOYMENT, ACCURACY, AND NON-INFRINGEMENT OF THIRD-PARTY RIGHTS. THE COMPANY DOES NOT GUARANTEE ANY SPECIFIC RESULTS FROM THE USE OF THE PRODUCT, OR THAT THE COMPANY WILL CONTINUE TO OFFER OR MAKE AVAILABLE THE PRODUCT FOR ANY PARTICULAR LENGTH OF TIME. THE COMPANY FURTHER DISCLAIMS ALL WARRANTIES AFTER THE EXPRESS WARRANTY PERIOD STATED ABOVE.

YOU USE THE PRODUCT AT YOUR OWN DISCRETION AND RISK. YOU WILL BE SOLELY RESPONSIBLE FOR (AND THE COMPANY DISCLAIMS) ANY AND ALL LOSS, LIABILITY, OR DAMAGES RESULTING FROM YOUR USE OF THE PRODUCT. NO ADVICE OR INFORMATION, WHETHER ORAL OR WRITTEN, OBTAINED BY YOU FROM THE COMPANY OR THROUGH ITS AUTHORIZED SERVICE PROVIDERS SHALL CREATE ANY WARRANTY.

IN NO EVENT WILL THE COMPANY'S TOTAL CUMULATIVE LIABILITY ARISING FROM OR RELATED TO THE PRODUCT, WHETHER IN CONTRACT OR TORT OR OTHERWISE EXCEED THE FEES ACTUALLY PAID BY YOU TO THE COMPANY OR ANY OF ITS AUTHORIZED RESELLERS FOR THE PRODUCT AT ISSUE IN THE LAST YEAR FROM YOUR PURCHASE. THIS LIMITATION IS CUMULATIVE AND WILL NOT BE INCREASED BY THE EXISTENCE OF MORE THAN ONE INCIDENT OR CLAIM. THE COMPANY DISCLAIMS ALL LIABILITY OF ANY KIND OF ITS LICENSORS AND SUPPLIERS. IN NO EVENT WILL THE COMPANY OR ITS LICENSORS, MANUFACTURERS, AND SUPPLIERS BE LIABLE FOR ANY INCIDENTAL, DIRECT, INDIRECT, SPECIAL, PUNITIVE, OR CONSEQUENTIAL DAMAGES (SUCH AS, BUT NOT LIMITED TO, DAMAGES FOR LOSS OF PROFITS, BUSINESS, SAVINGS, DATA, OR RECORDS) CAUSED BY THE USE, MISUSE, OR INABILITY TO USE THE PRODUCT.

Nothing in these terms shall attempt to exclude liability that cannot be excluded under applicable law. Some countries, states, or provinces do not allow the exclusion or limitation of incidental or consequential damages or allow limitations on warranties, so certain limitations or exclusions may not apply to you. This warranty gives you specific legal rights, and you may have other rights that vary from state to state or province to province. Contact your authorized retailer to determine if another warranty applies.

Questions or comments? Contact Us!

info@itsjumb! .com
866-849-3049

JUMBL is a trademark of C&A IP Holdings LLC in the US.

All other products, brand names, company names, and logos are trademarks of their respective owners, used merely to identify their respective products, and are not meant to connote any sponsorship, endorsement, or approval.

Distributed by C&A Marketing, Inc., 114 Tived Lane East, Edison, NJ 08837.

Made in China.

© 2021. C&A IP Holdings LLC. All Rights Reserved.

