



# BACKSEAT PET BARRIER USER GUIDE

MODEL #: JUMDBAR

Thank you for purchasing the Jumbl™ Backseat Pet Barrier. This User Guide is intended to provide you with guidelines to ensure that operation of this product is safe and does not pose risk to the user. Any use that does not conform to the guidelines described in this User Guide may void the limited warranty.

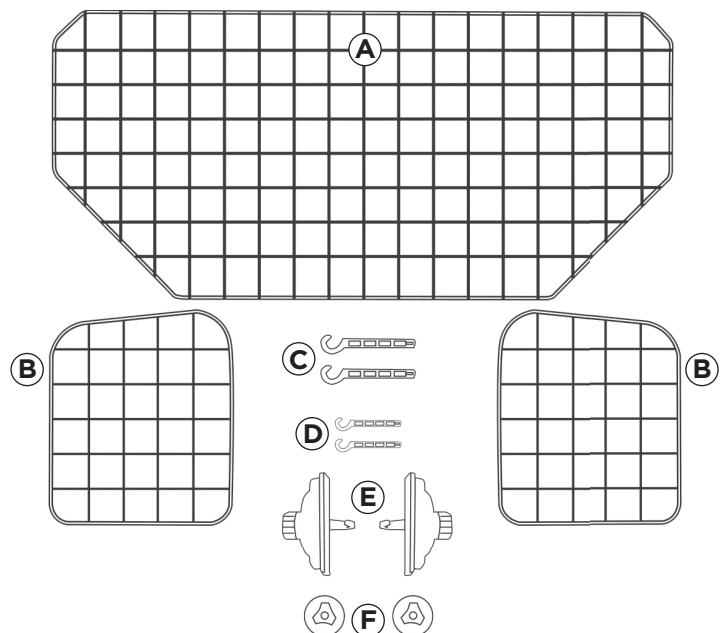
Please read all directions before using the product and retain this guide for reference.

This product is covered by a limited one-year warranty. Coverage is subject to limits and exclusions. See warranty for details.

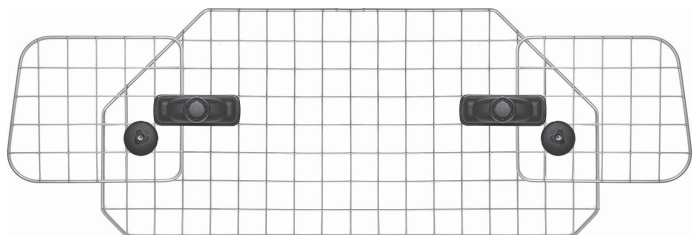
## Parts

Please check your package and ensure that all of the below listed parts are present. If anything is missing, or you accidentally lose a part, please contact us for a replacement at 866-849-3049 or [info@itsjumbl.com](mailto:info@itsjumbl.com).

- A. 1 main panel
- B. 2 side panels
- C. 2 large hooks
- D. 2 small hooks
- E. 2 adjustable hook attachment bases
- F. 4 panel attachment disks
- G. 2 screws (not pictured)



**NOTE:** The panels can be configured in two distinct ways, as pictured below. The way you need to set up the barrier is dependent on on the size of the car.

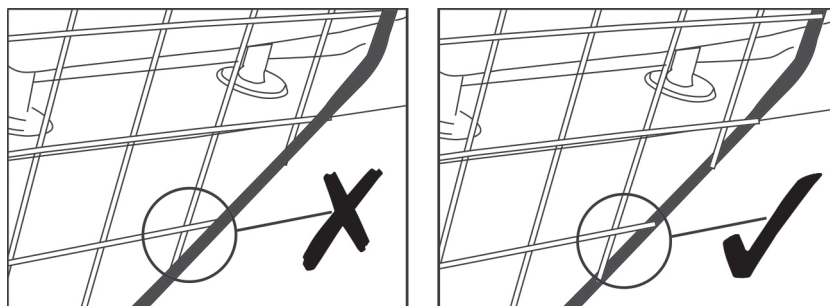


## Assembly

1. Check the distance between the main panel and the headrest bar on the front seat. Determine whether the small or large hooks are needed to securely attach the barrier.
2. Insert the desired hooks into the hook attachment bases. Pull out the knob until the hook is at the desired length. Then turn it counterclockwise several times until the hook is securely and firmly in place.

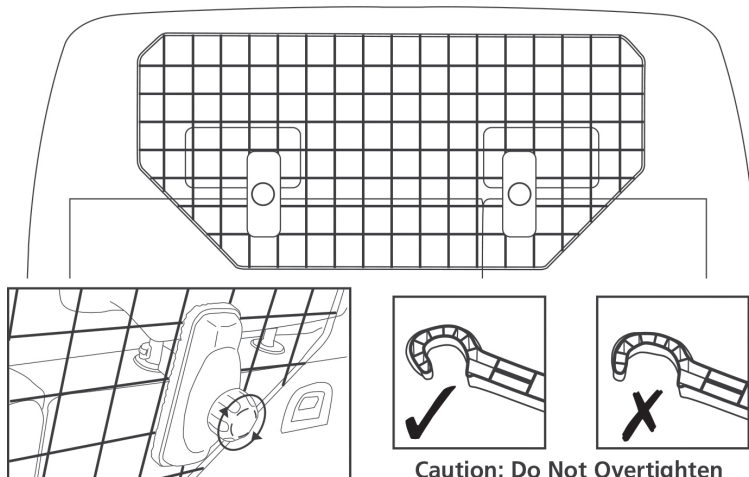


3. Position the main panel behind the front seat so that the overlapping bars face the back seat as seen below.

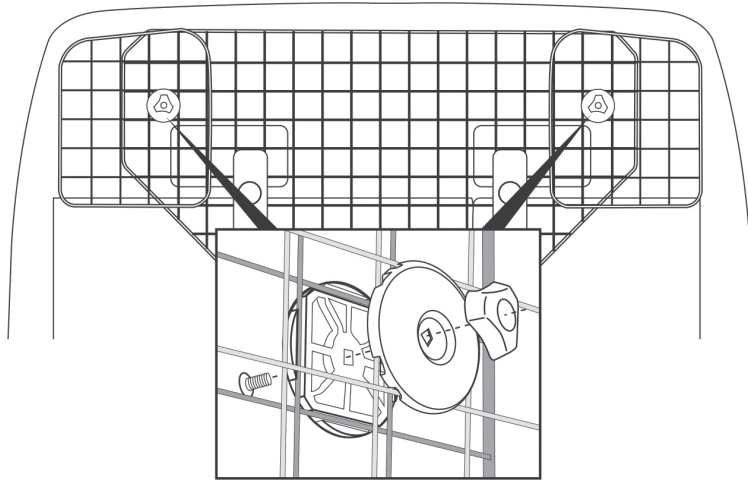


4. Slip the assembled hooks through the bars and latch onto the headrest bars of the front seats. Tighten the hook attachment bases until the hooks are tightly and securely on the headrest bars.

**Do not overtighten or the hook will lose its shape.**



5. Attach one of the panel attachment disks to the side panel, fitting the bars of the panel into the grooves of the disk. Then attach a second panel attachment disk to the main panel where you would like to attach the side panel.
6. Slip a screw through the square hole in one of the panel attachment disks.
7. While holding the screw in place, secure the tightening knob on the opposite side, screwing into place until the side panel is tightly attached to the main panel.
8. Repeat steps 5-7 with the second side panel.



## Specifications

Width: 35" (89.5cm); fully extended: 51" (130cm)

Height: 16" (42cm)

Weight: 6 lbs. (2.7kg)

## Questions or problems? Contact us!

[info@itsjumbl.com](mailto:info@itsjumbl.com)

866-849-3049

JUMBL and the JUMBL LOGO are trademarks of C&A IP Holdings, LLC in the US.

All other products, brand names, company names, and logos are trademarks of their respective owners, used merely to identify their respective products, and are not meant to connote any sponsorship, endorsement or approval.

Distributed by C&A Marketing, Inc., 114 Tived Lane East, Edison, NJ 08837. Made in China.

© 2019. C&A IP Holdings, LLC. All Rights Reserved.