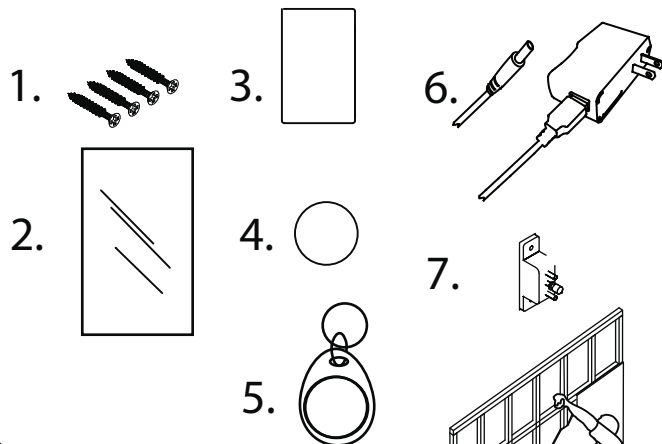


TIMBER VAULTS

⚠ CAUTION: You must swipe an RFID device to open and close the mirror. Failure to do so will jam the lock, and you will then be locked out.

Included Parts:

1. Wood screws
(Qty. varies by mirror size).
2. Mirror
3. One RFID card
4. One RFID Coin
5. One RFID Key Fob
6. Emergency Battery back-up
7. Lock pin and bolts

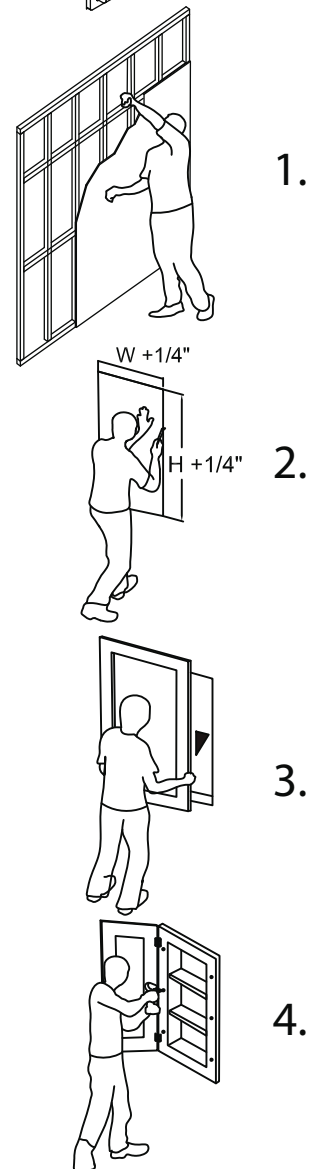


Installation Instructions:

1. Locate the wall studs.
2. Cut the drywall between studs to the dimension of the cabinet (back section) that will be inserted into your wall (Add 1/4" to that dimension).

⚠ Caution: Make sure you have checked the area for utilities, etc.

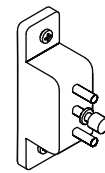
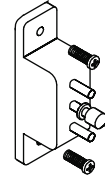
3. Insertt the concealment mirror into hole you have cut.
4. Open mirror door and insert screws through the pre-drilled holes.



TIMBER VAULTS

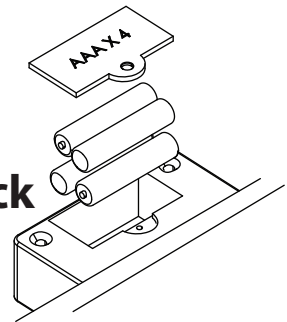
Lock Pin Installations:

1. Place lock pin on the lock pins wooden pedestal inside the cabinet.
2. Insert both Philips head bolts and tighten.
Note: You may need to fine tune the locking pin by loosening the screws, slightly shifting the pin to one side until the pin is perfectly aligned with the lock base.



3. Install your batteries into the lock and install the battery cover.
(4 x AAA Batteries not included).

If the batteries are installed properly, the lock will beep after they are inserted.



How To Operate the Lock:

1. Swipe your RFID device over the surface covering the lock. The lock will beep once and opens.
2. Swipe your RFID device again, the lock will beep once and you may close the mirror.

⚠ CAUTION: You must swipe an RFID device to open and close the mirror. Failure to do so will jam the lock, and you will then be locked out.