

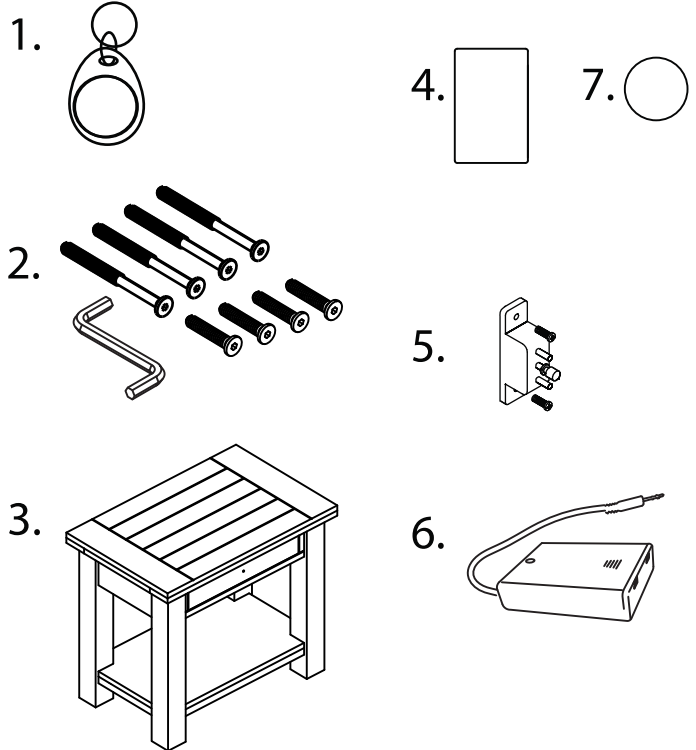
# TIMBER VAULTS

Concealment Furniture

**CAUTION:** You must swipe an RFID device to open and close the shelf.

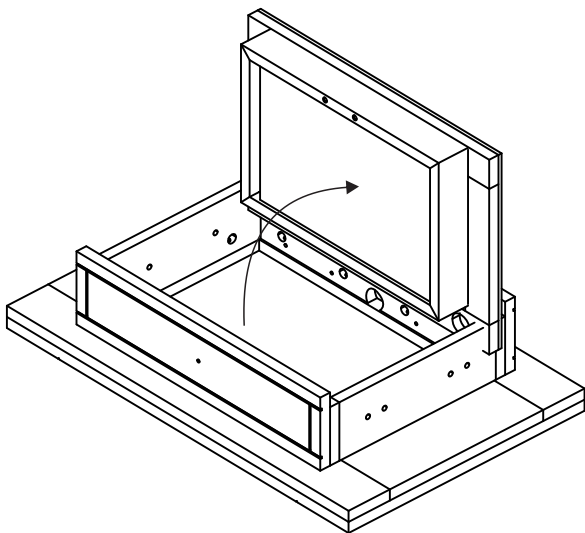
## Included Parts:

1. One RFID Key Fob
2. Drywall wall anchors and screws
3. Concealment Coffee Table
4. One RFID card
5. Lock pin and bolts
6. Battery back-up
7. One RFID Coin

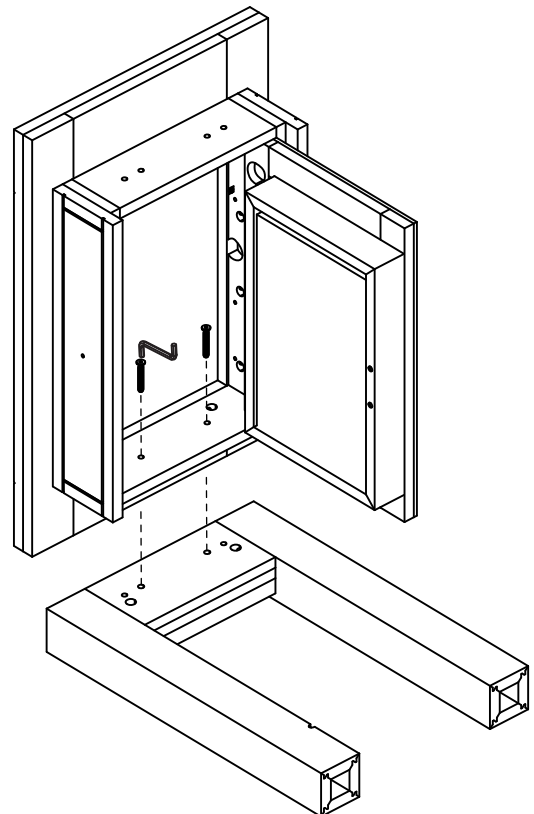


## Installation Instructions:

1.



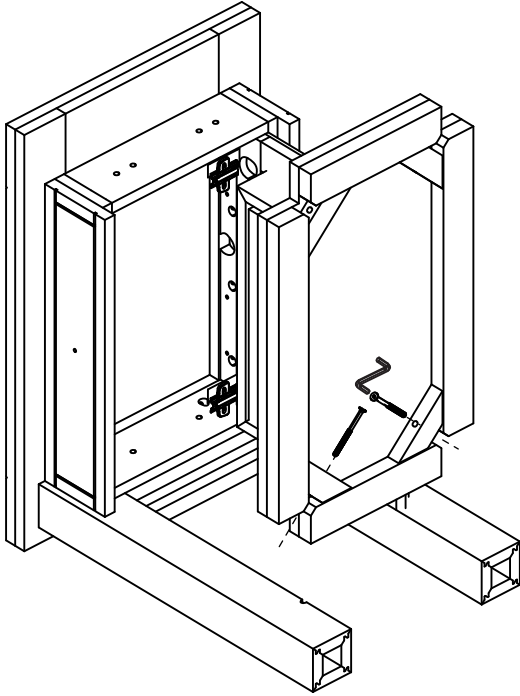
2.



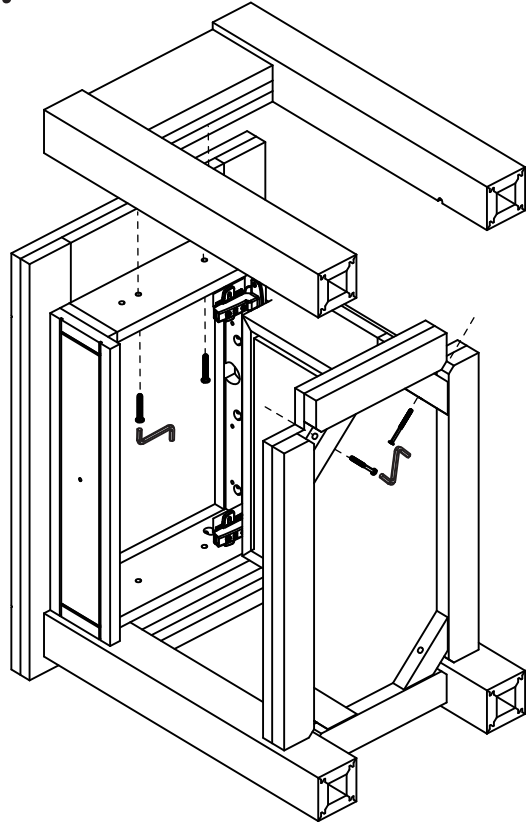
# TIMBER VAULTS

— Concealment Furniture —

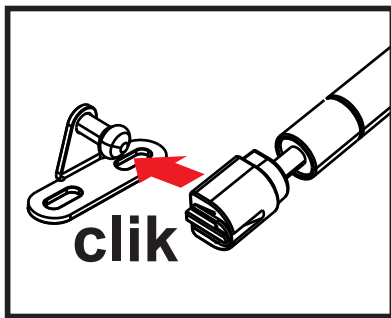
3.



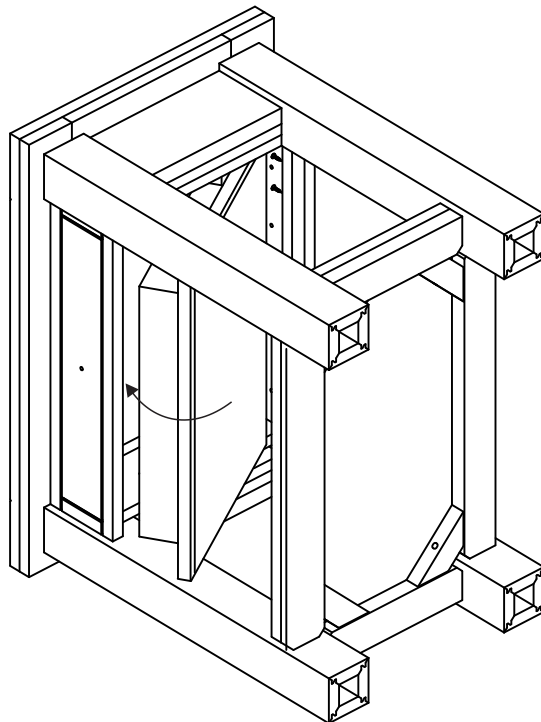
4.



5.



hook the hidraulic piston

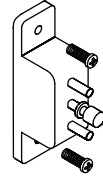


# TIMBER VAULTS

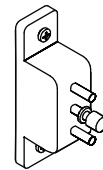
—◊ Concealment Furniture ◊—

## Lock Pin Installations:

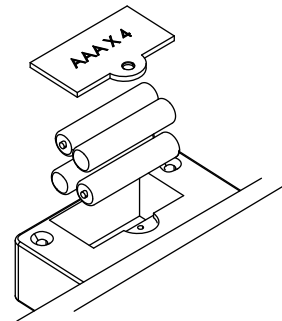
1. Place lock pin on the lock pins wooden pedestal inside the cabinet.



2. Insert both Philips head bolts and tighten.  
Note: You may need to fine tune the lock pin by loosening the the screws and slightly shifting the pin to one side until the pin is perfectly aligned with the lock base.



3. Install your batteries into the lock and install the battery cover.  
(4 x AAA Batteries not included).



## How To Operate the Lock:

1. Swipe your RFID device over the wooden surface covering the lock. The lock will beep and open. Depending on the weight, you may need to press the bottom of the shelf up to fully unlock.
2. Swipe your card again, the lock will beep once and you may close the cabinet. **(you must swipe your card to close).**