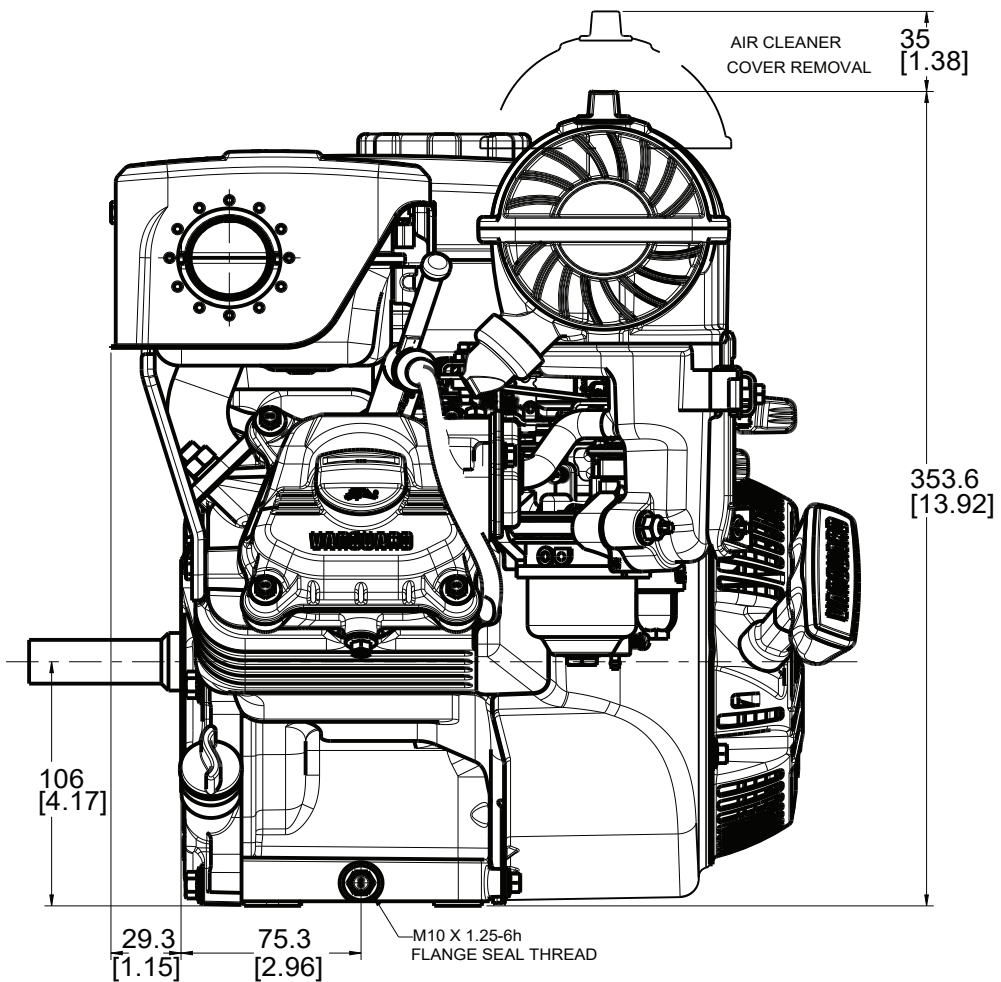
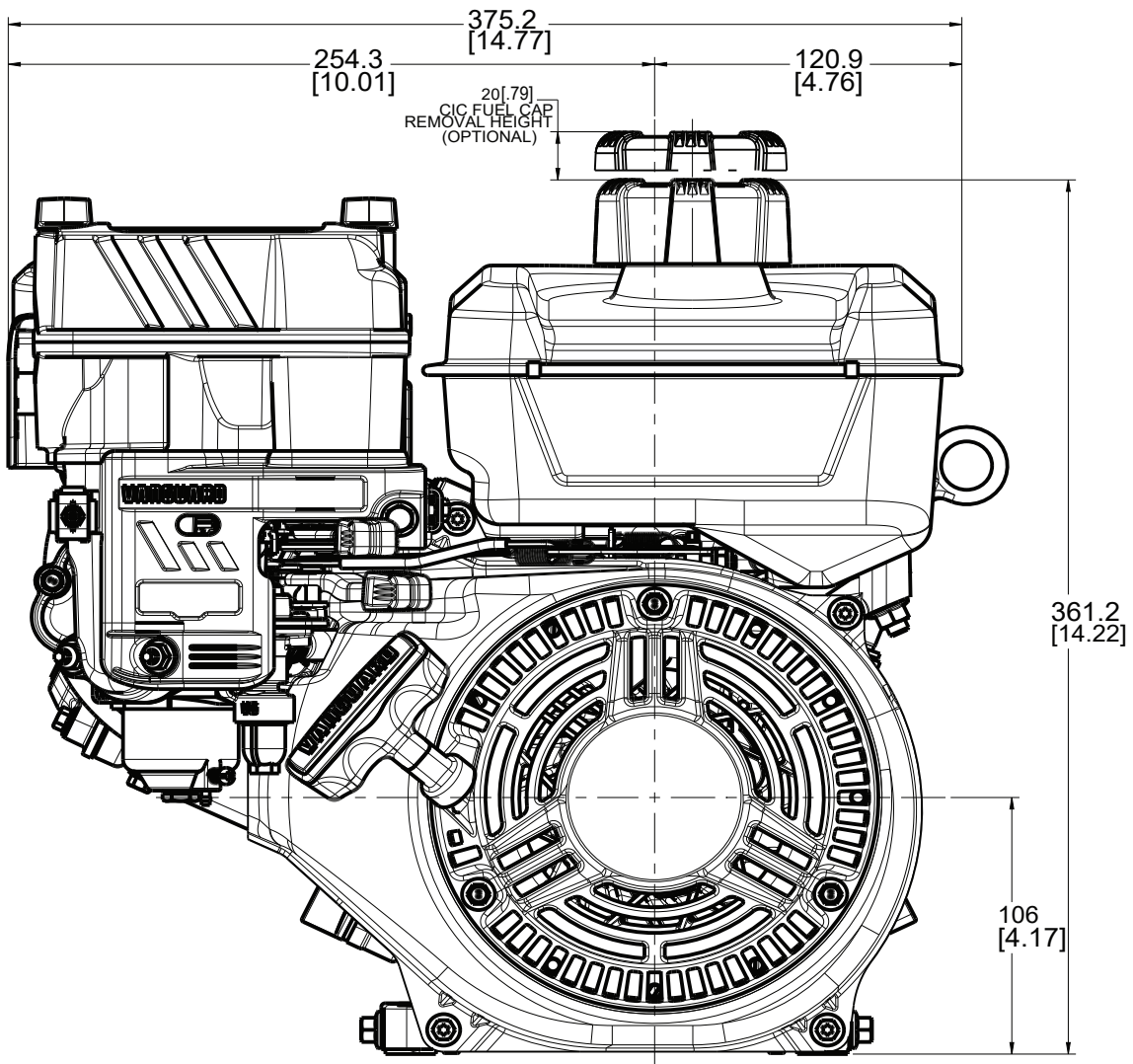


12V3 Engine Application Drawing



Briggs & Stratton reserves the rights to change engine specifications without notice.

3/30/2020



325.8
[12.83]

METRIC COVER - M8 X 1.25-6H
SAE COVER - 5/16-24 UNF-2B
4X METRIC COVER - M8 X 1.25-6H
4X SAE COVER - 5/16-24 UNF-2B

OIL SEAL IS RECESSED 4.75±0.25
FROM MOUNTING SURFACE

32.53
[1.281]

32.53
[1.281]

29.7
[1.17]

ROTATION

VANGUARD

32.53 32.53
[1.281] [1.281]

88.3
[3.48]

105
[4.13]

179.4
[7.06]

143
[5.6]
OIL FILL REMOVAL

OIL FILL REMOVAL

254.3
[10.01]

66
[2.60]

162
[6.38]

2X 9±0.2
[354±.007]
+1° DRAFT

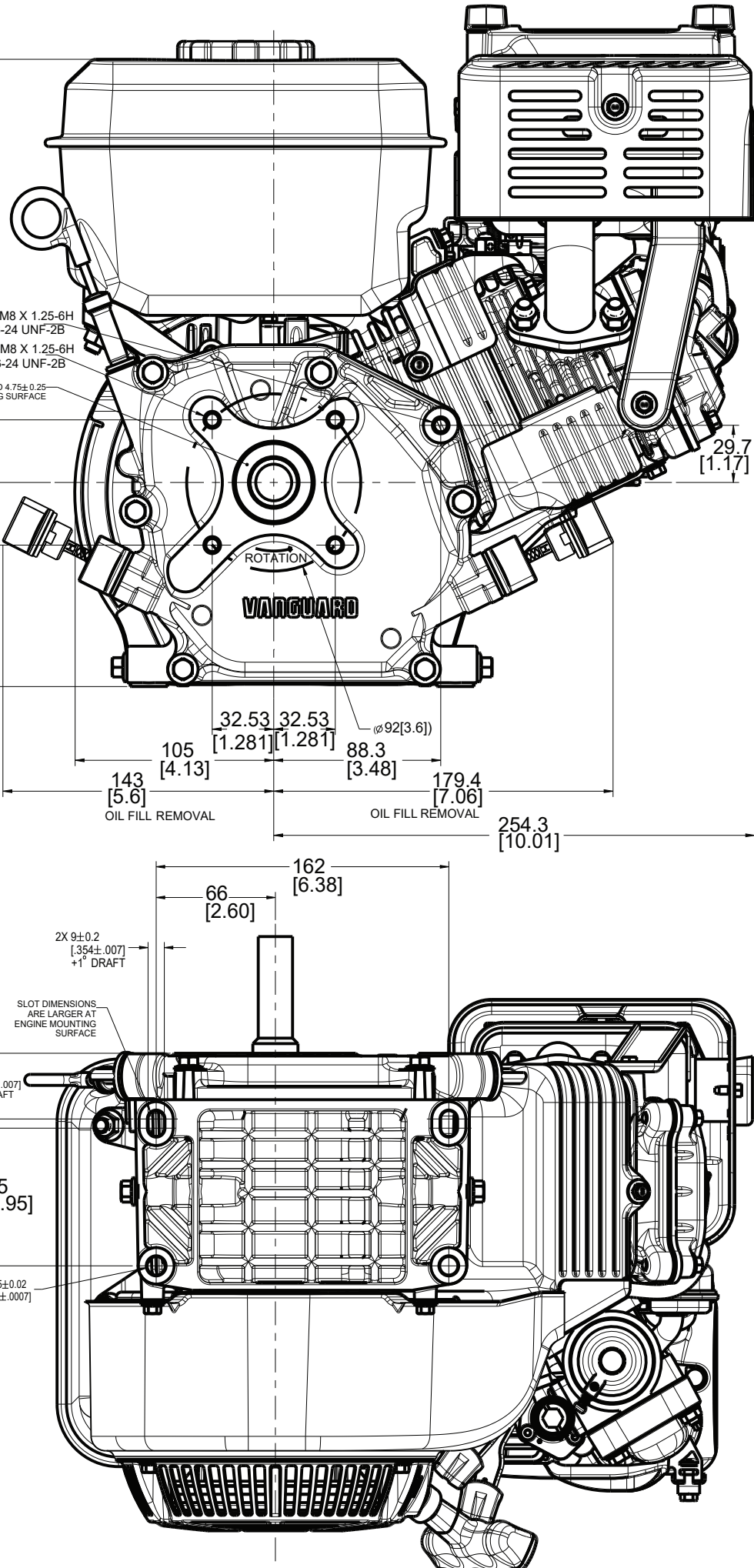
SLOT DIMENSIONS
ARE LARGER AT
ENGINE MOUNTING
SURFACE

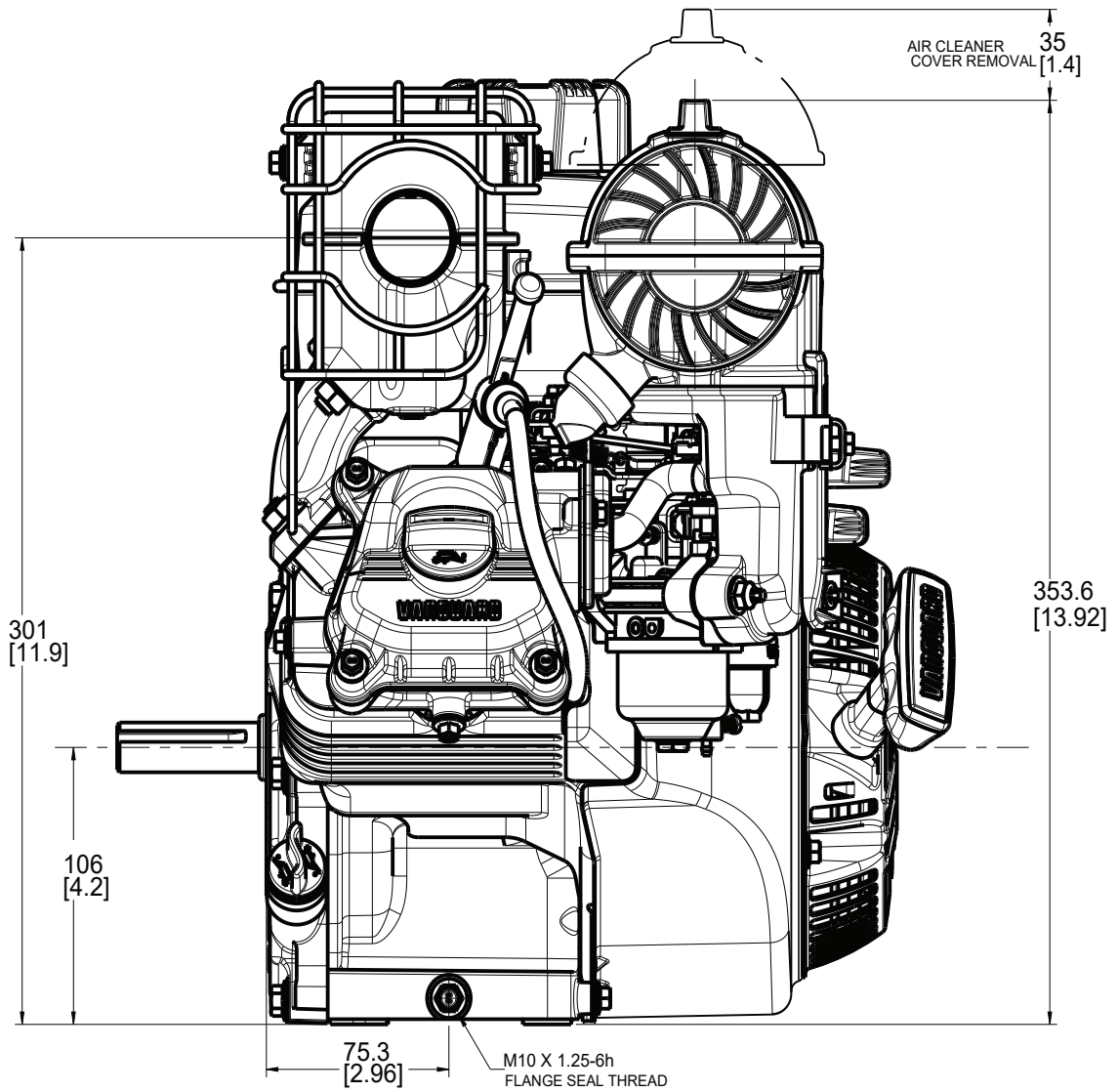
2X 5±0.2
[197±.007]
+1° DRAFT

115.8
[4.56]

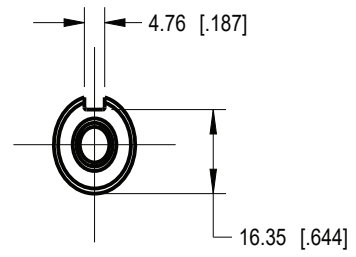
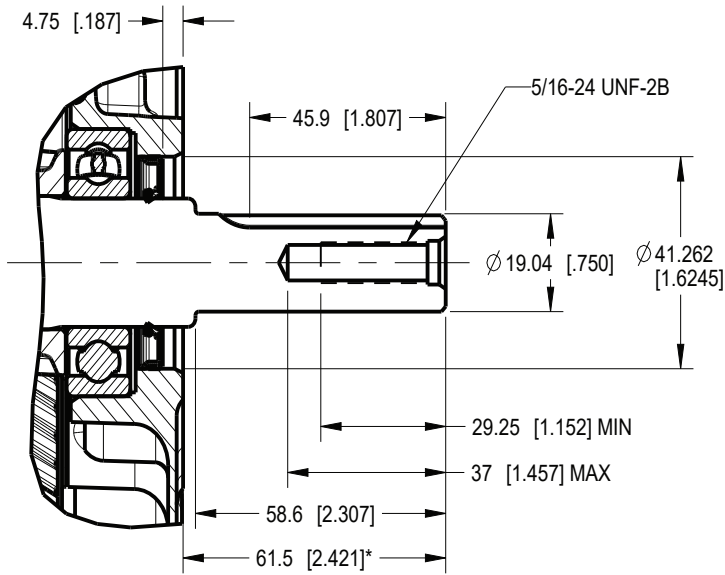
75
[2.95]

2X Ø 10.05±0.02
[396±.0007]

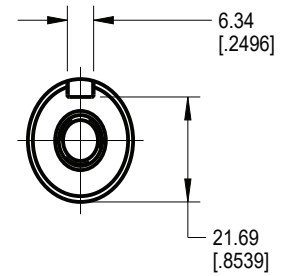
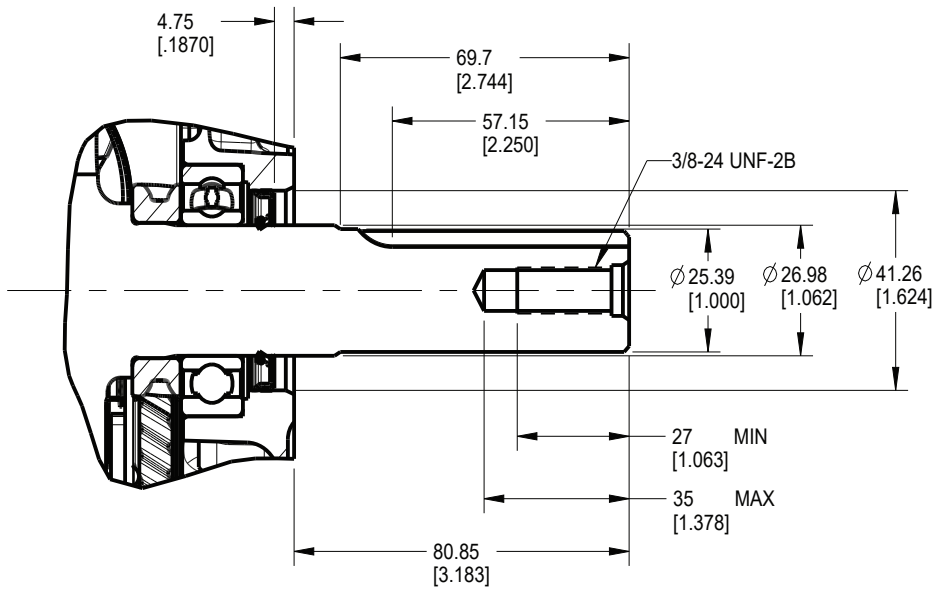




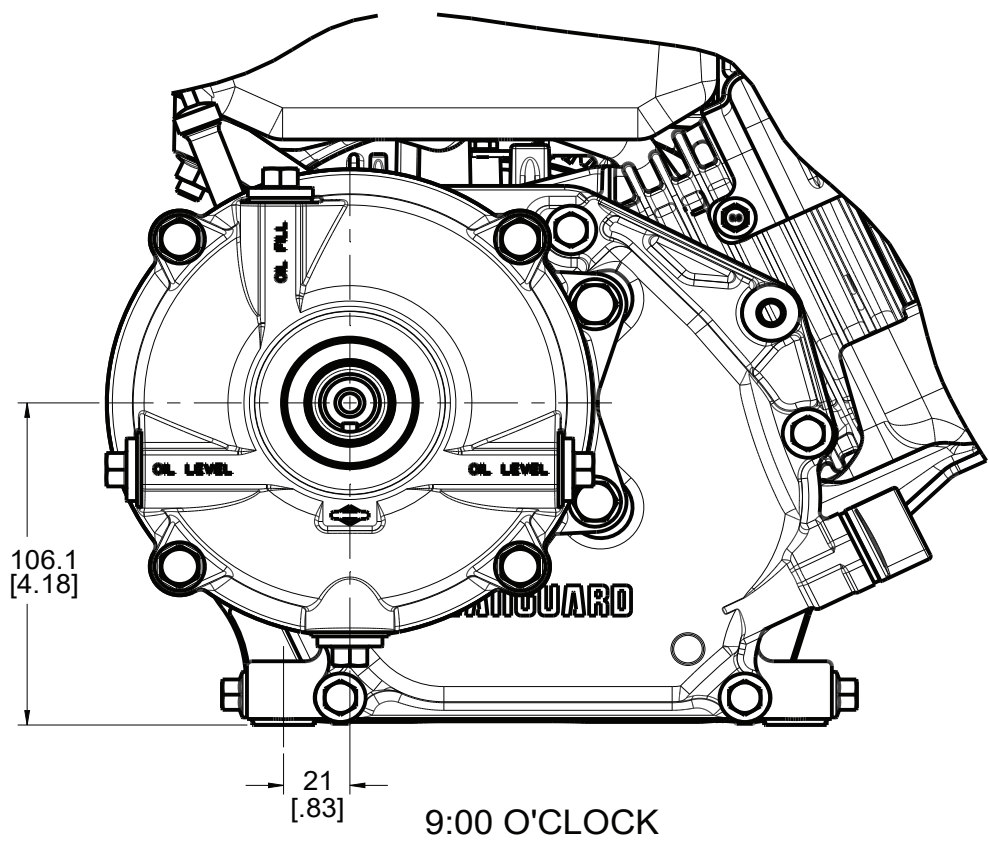
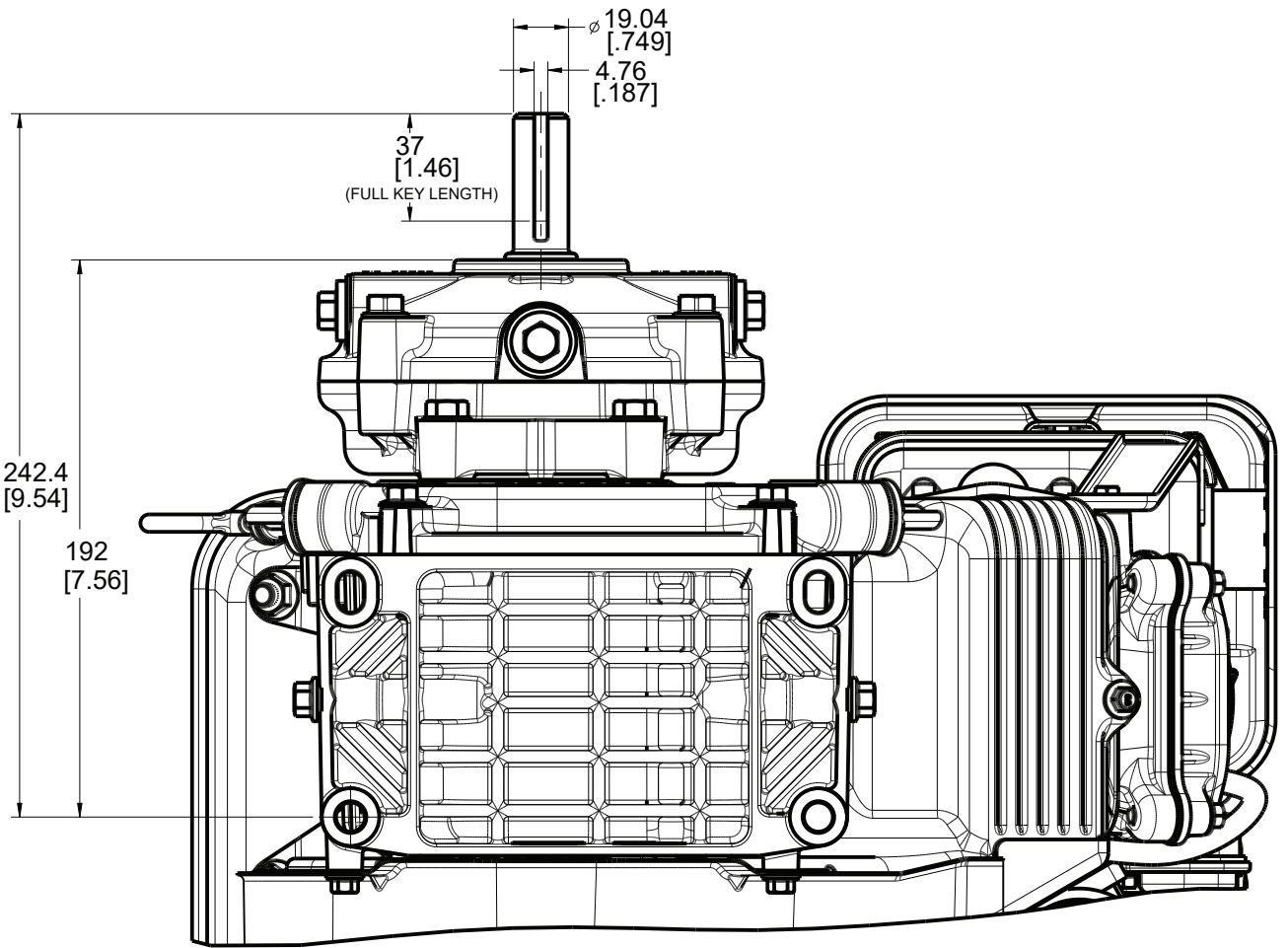
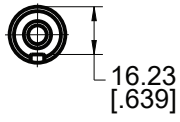
Clear Flange Muffler with Wire Guard

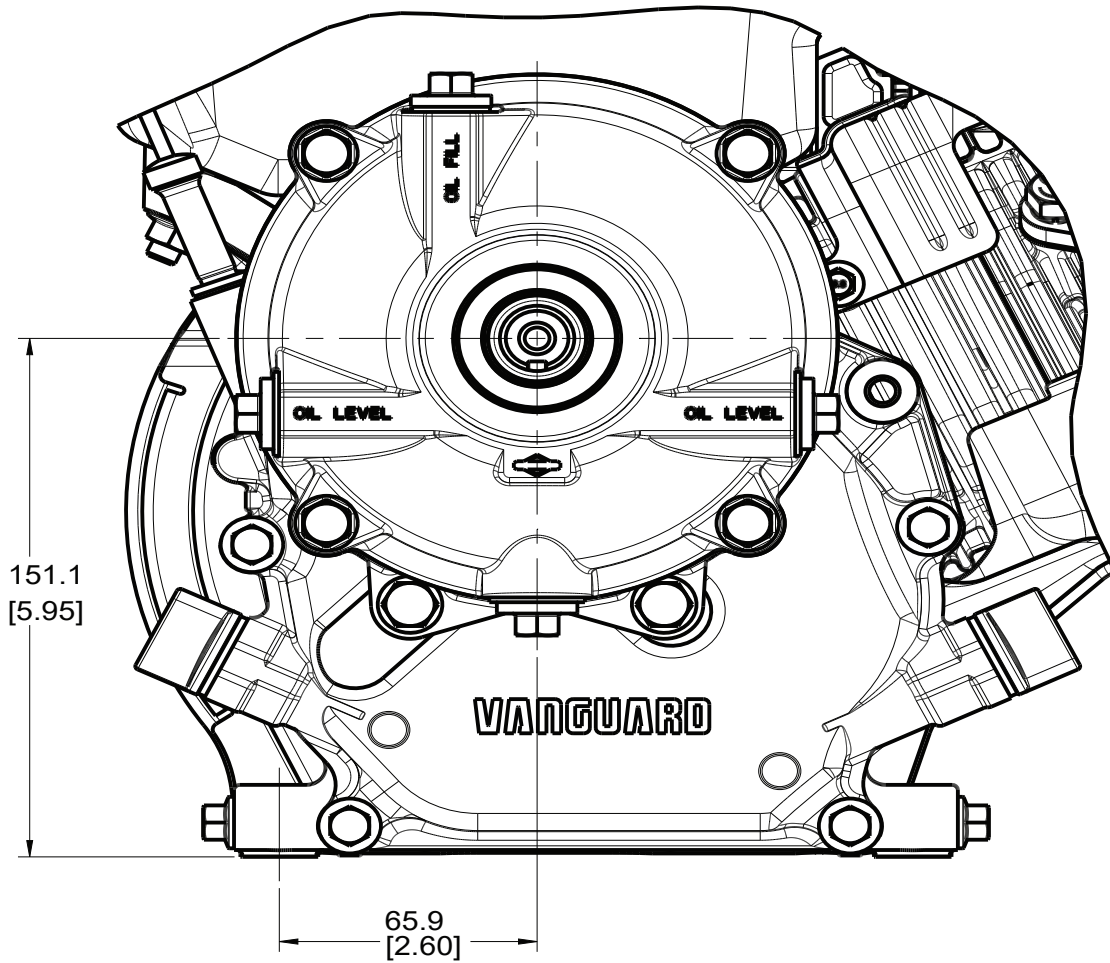


ϕ 3/4" STRAIGHT KEY

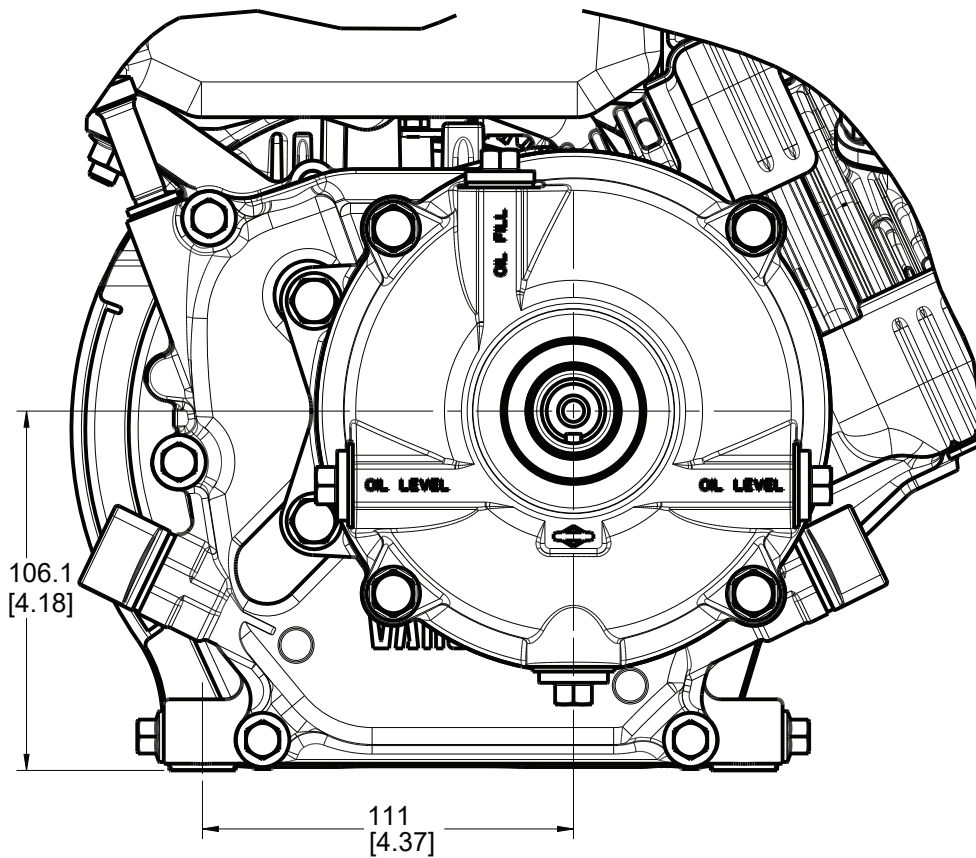


ϕ 1" STRAIGHT KEY





12:00 O'CLOCK



3:00 O'CLOCK