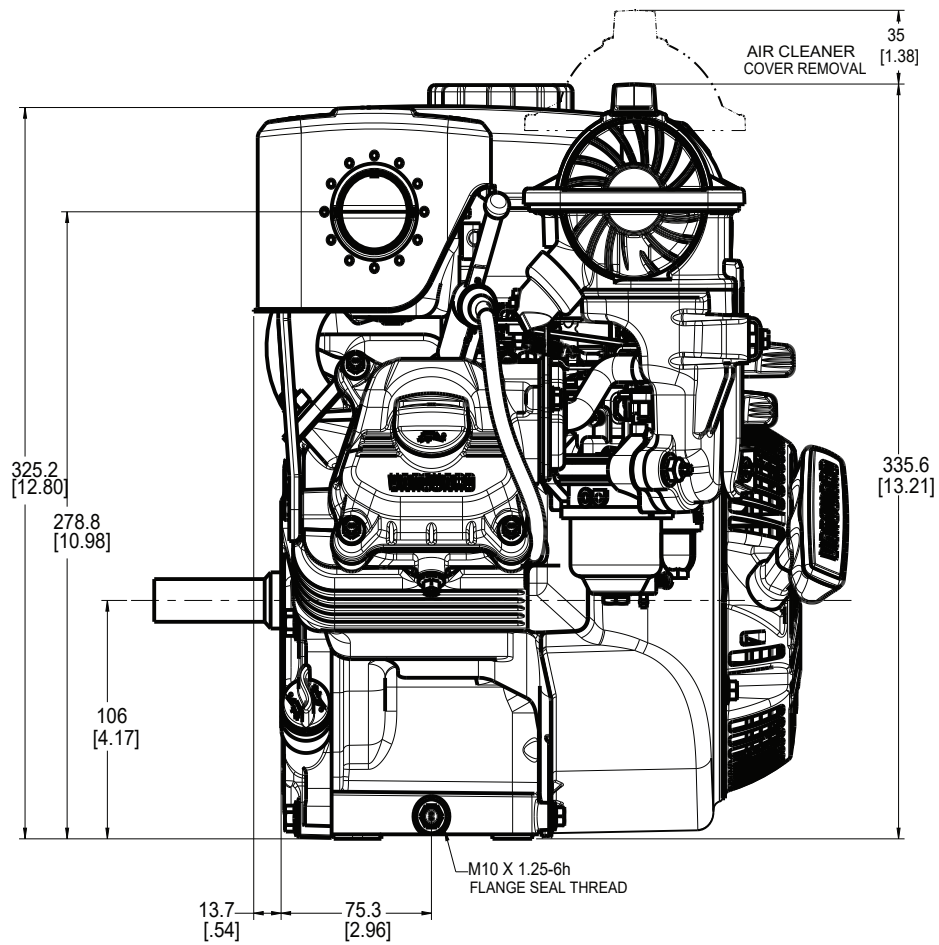
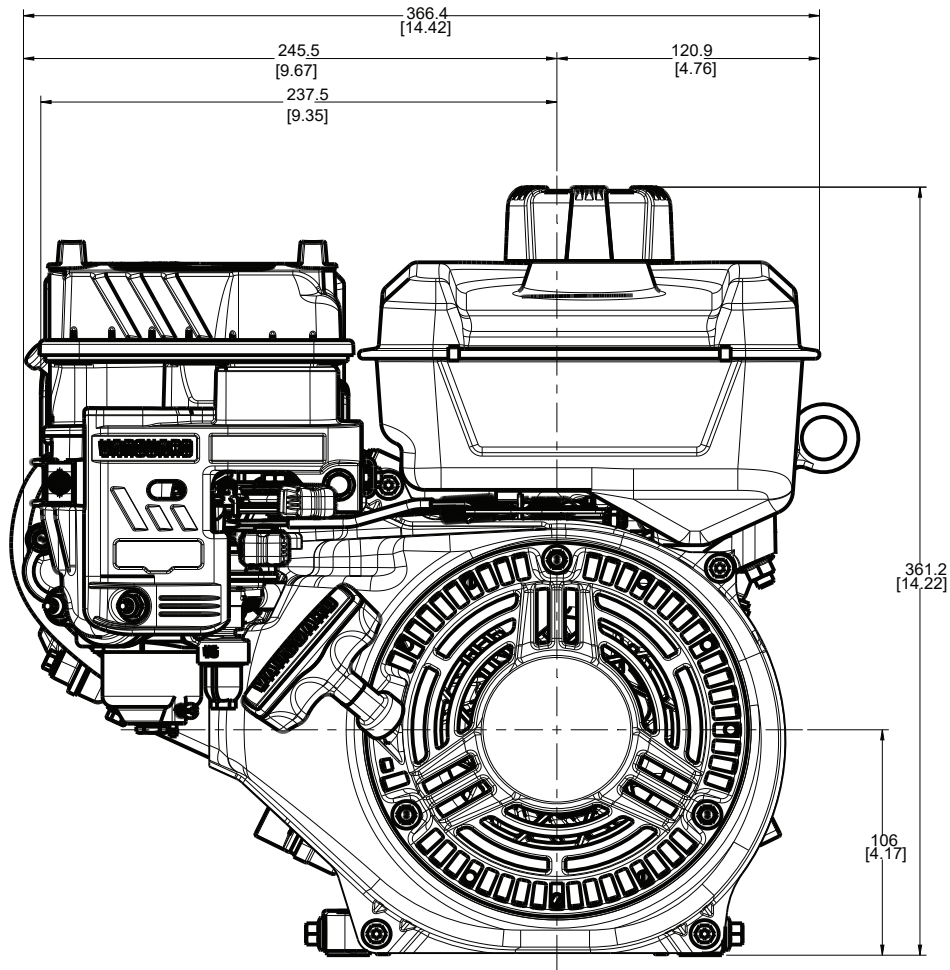
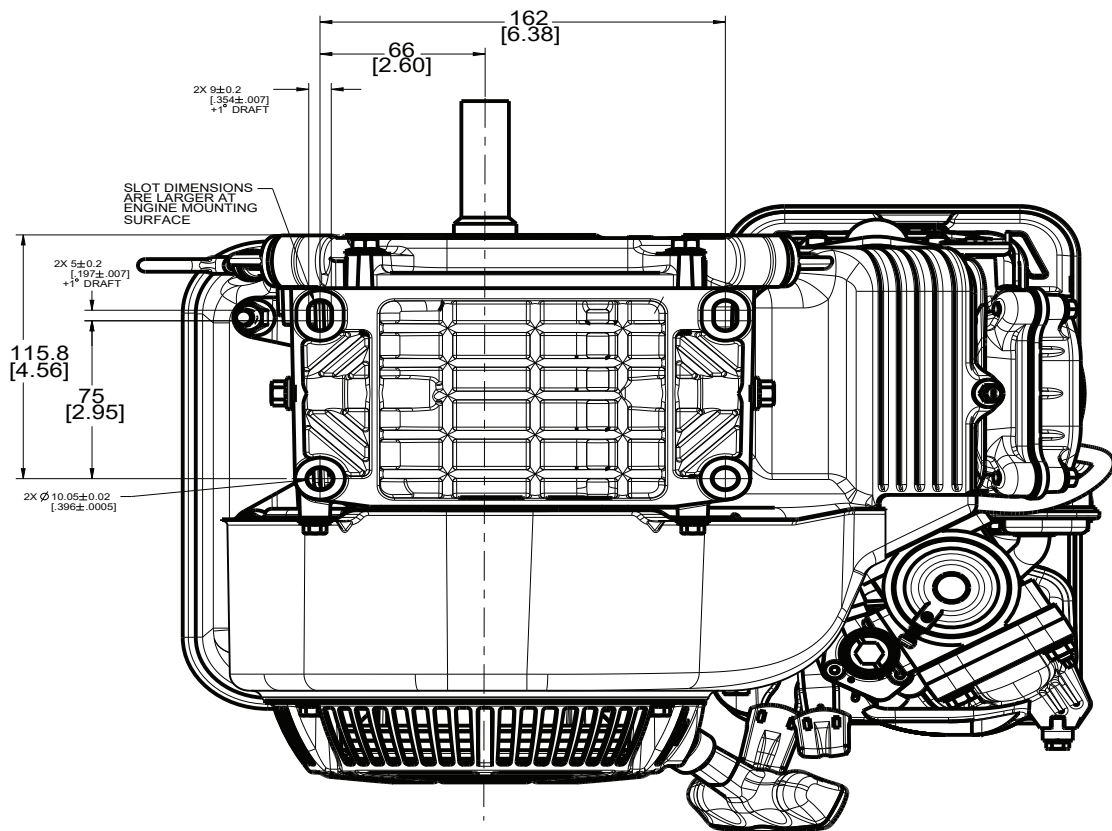
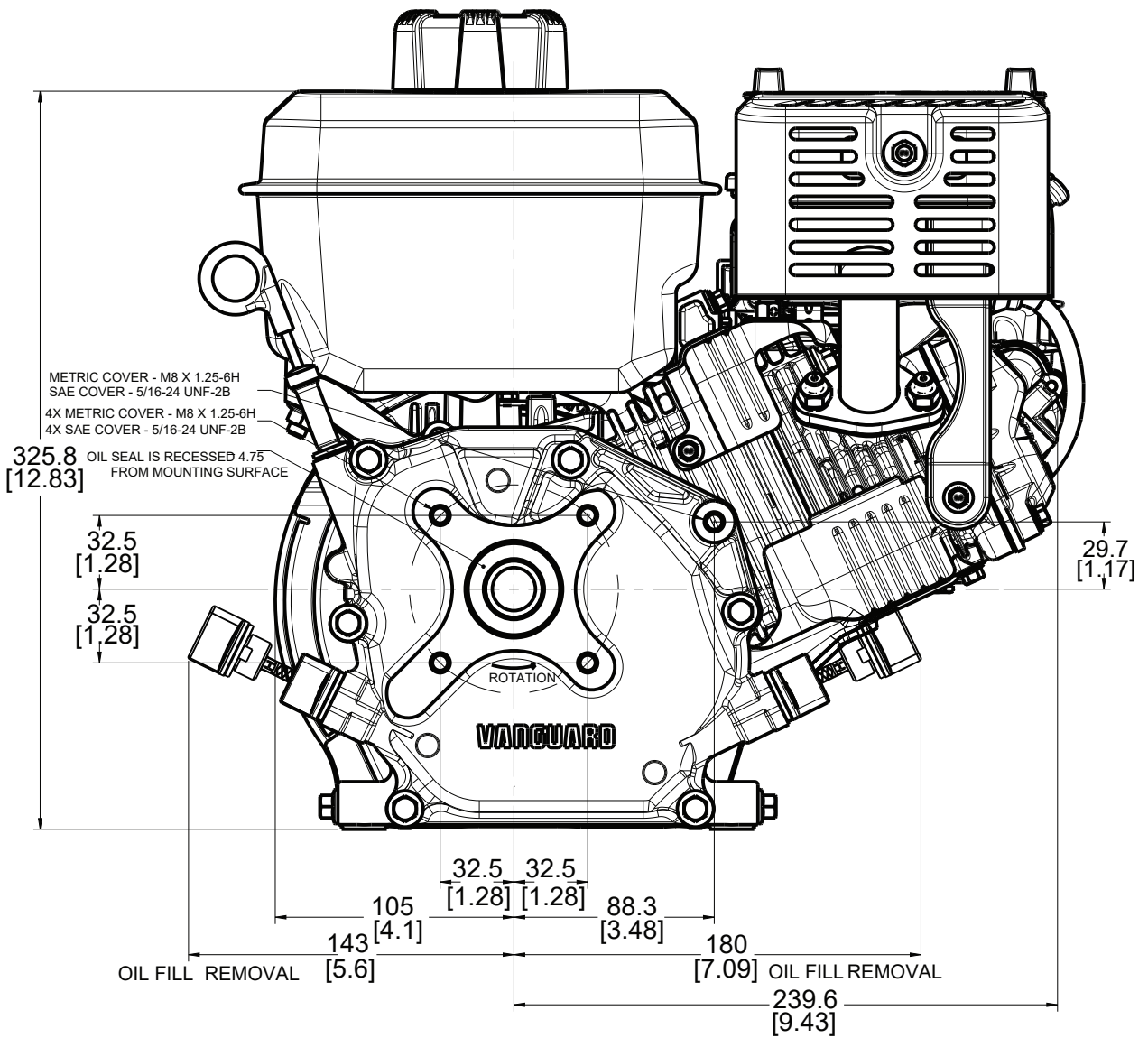


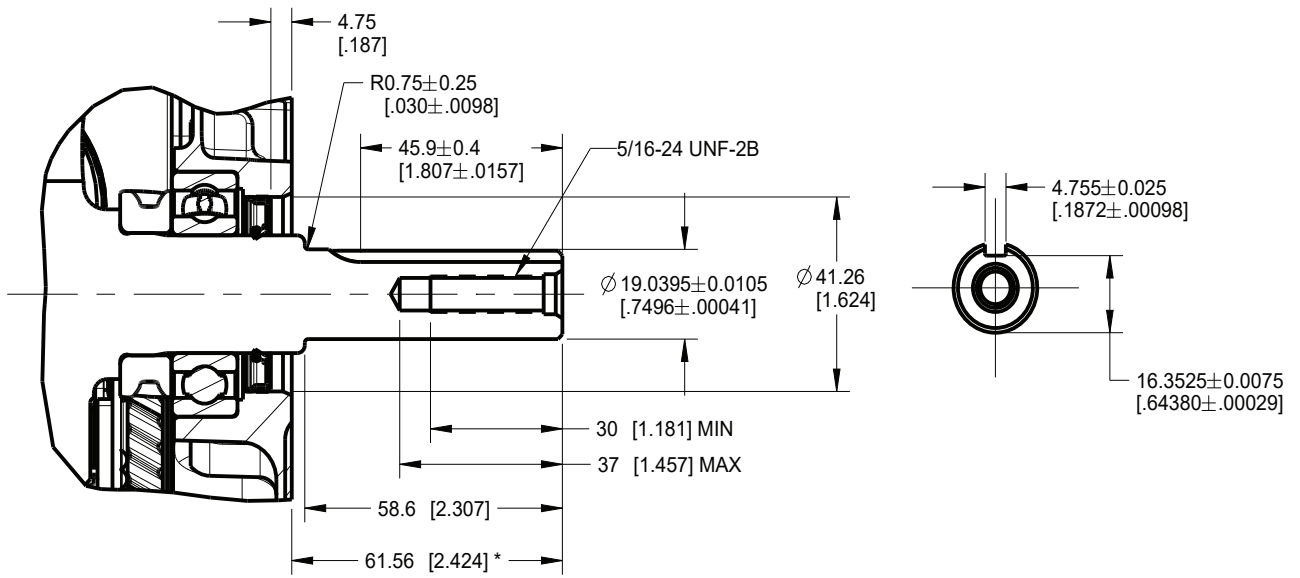
10v3 Engine Application Drawing





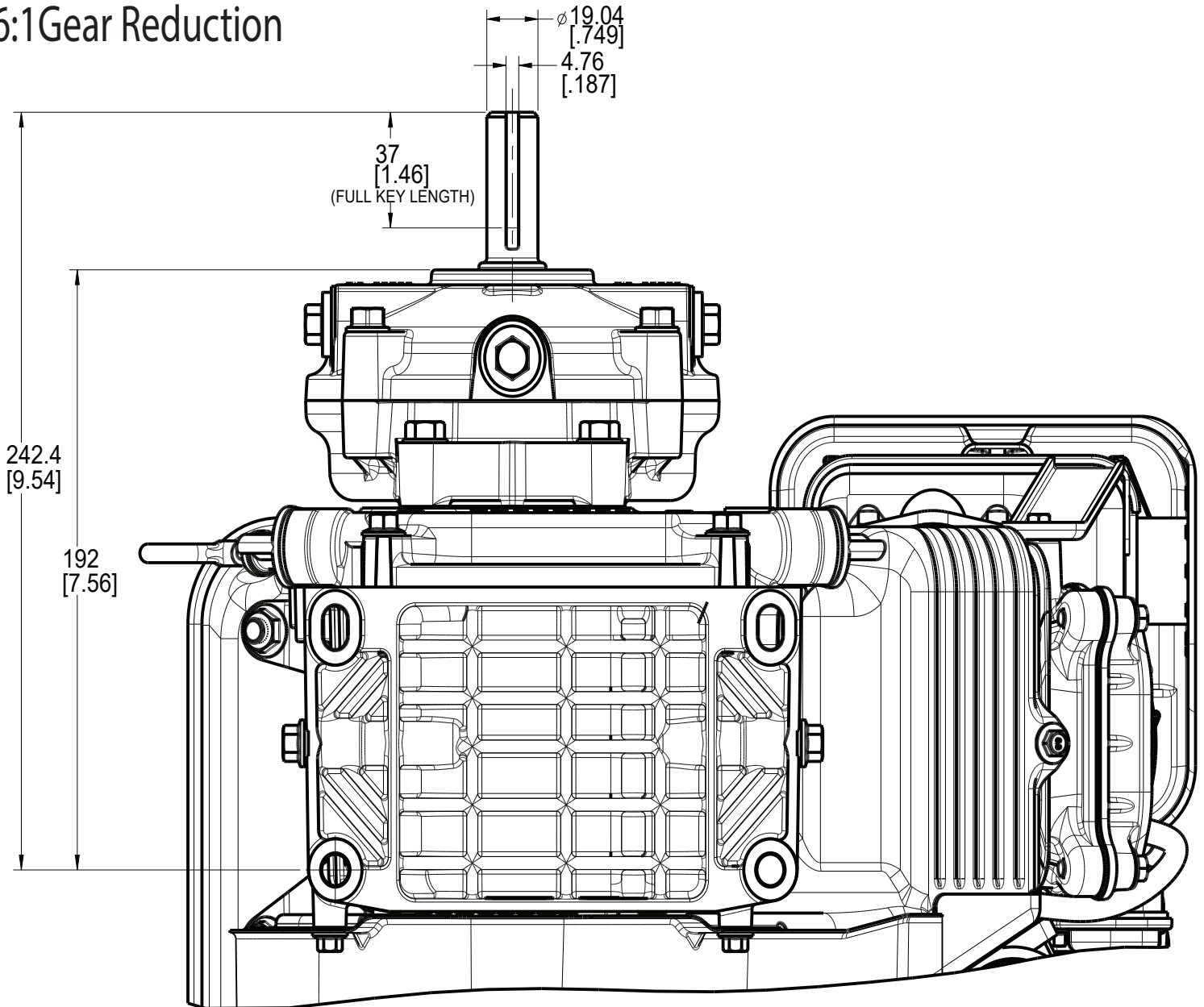


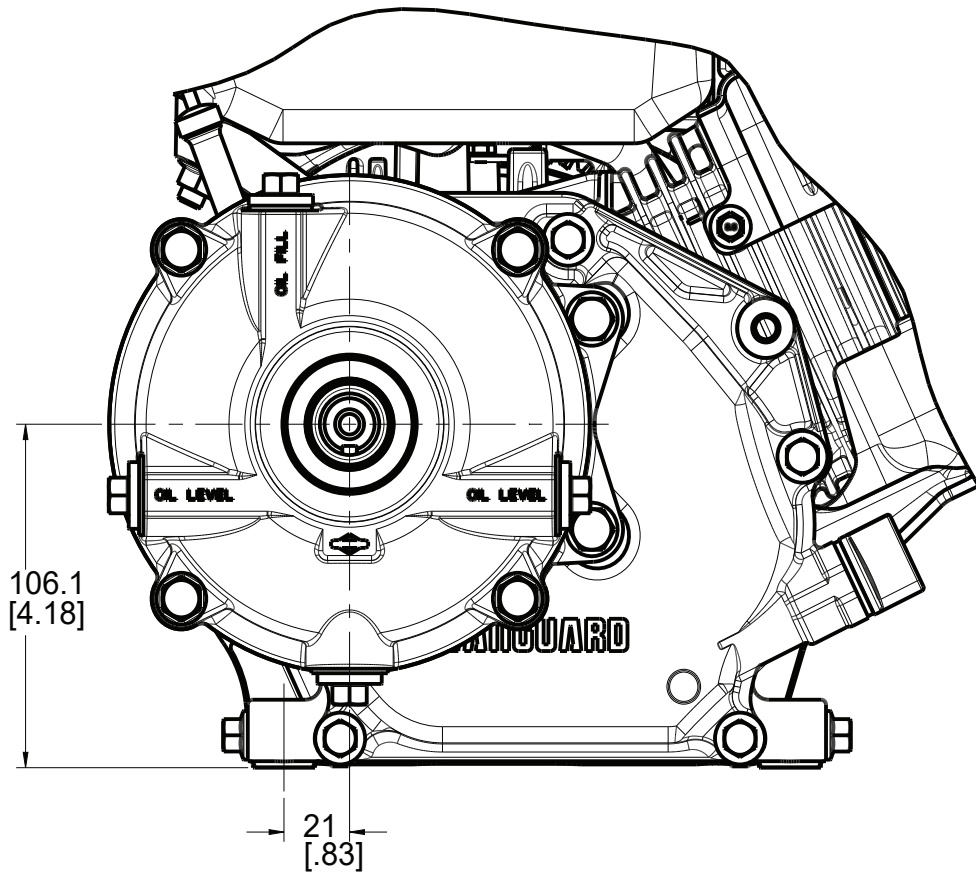
Crankshaft



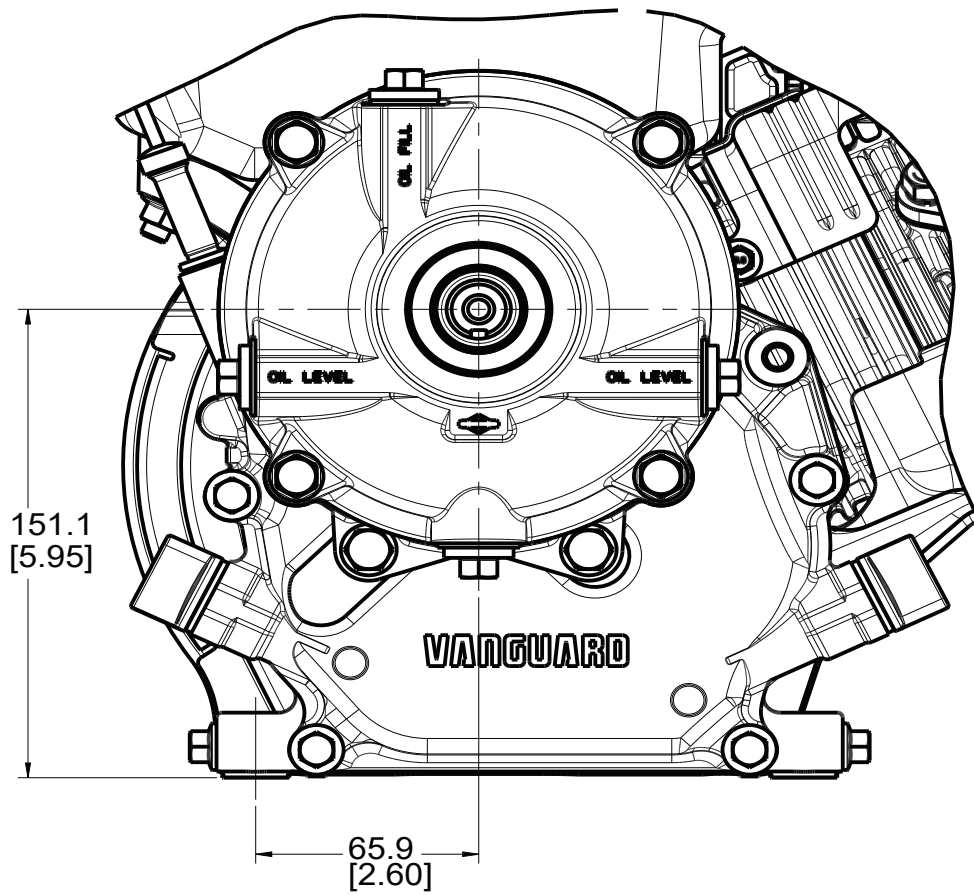
STRAIGHT, Ø 3/4", 2.420" EXT, 3/16" KEYWAY, 5/16-24 THD

6:1 Gear Reduction

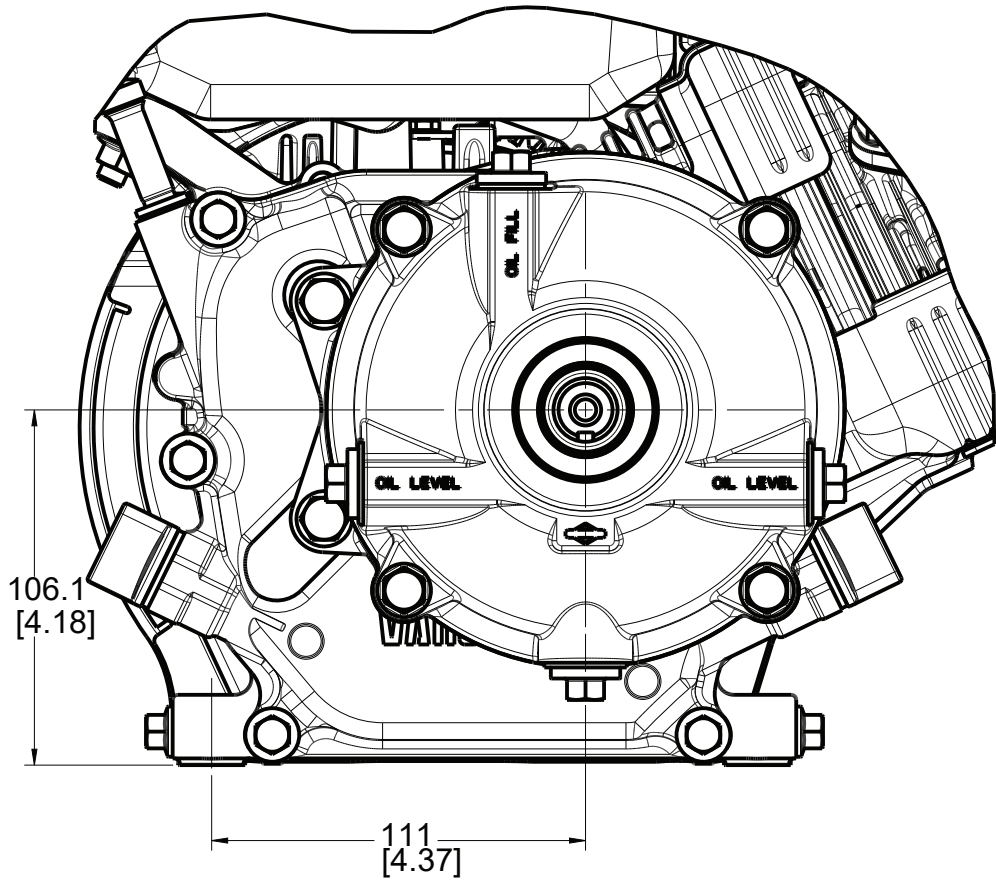




9:00 O'CLOCK



12:00 O'CLOCK



3:00 O'CLOCK