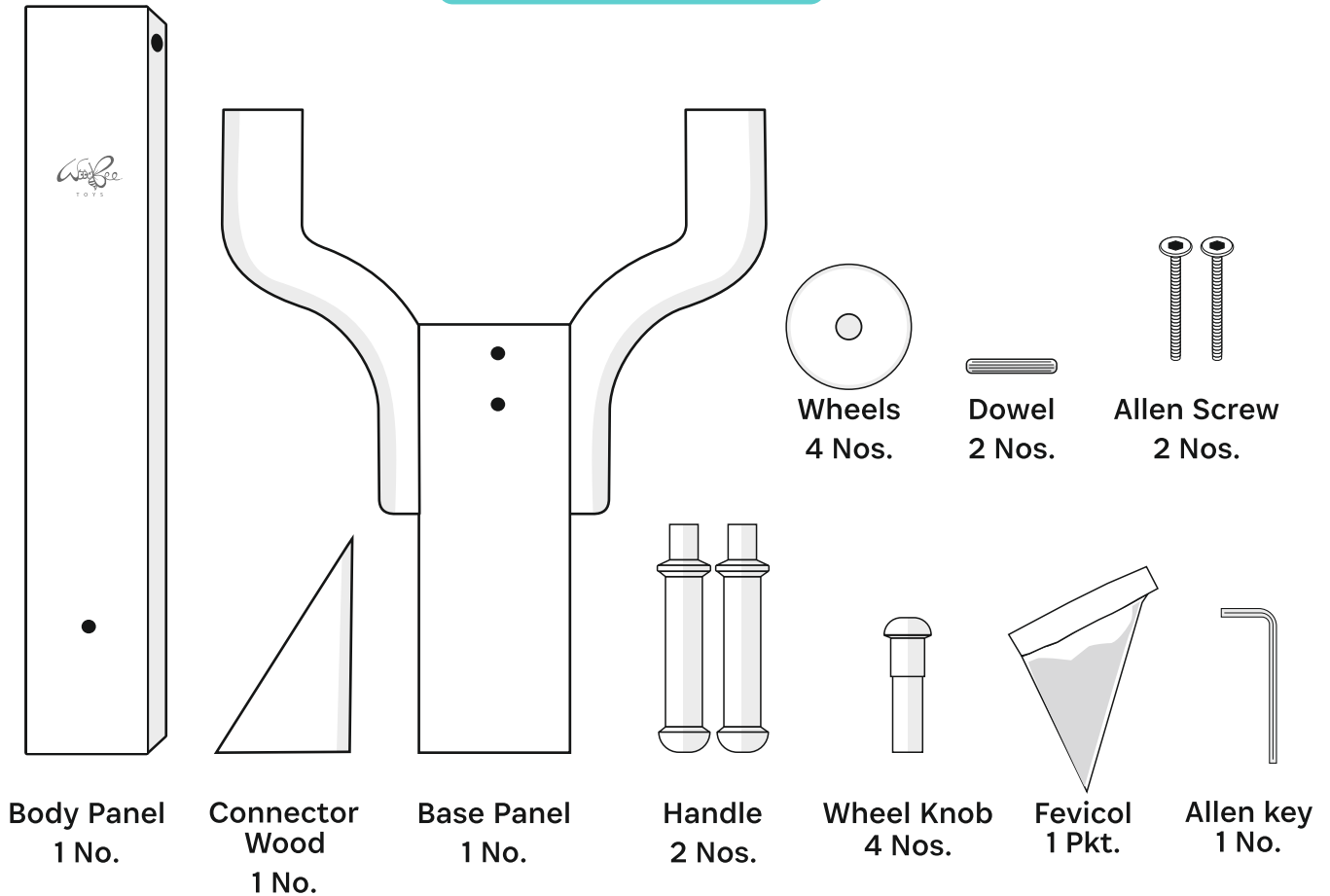


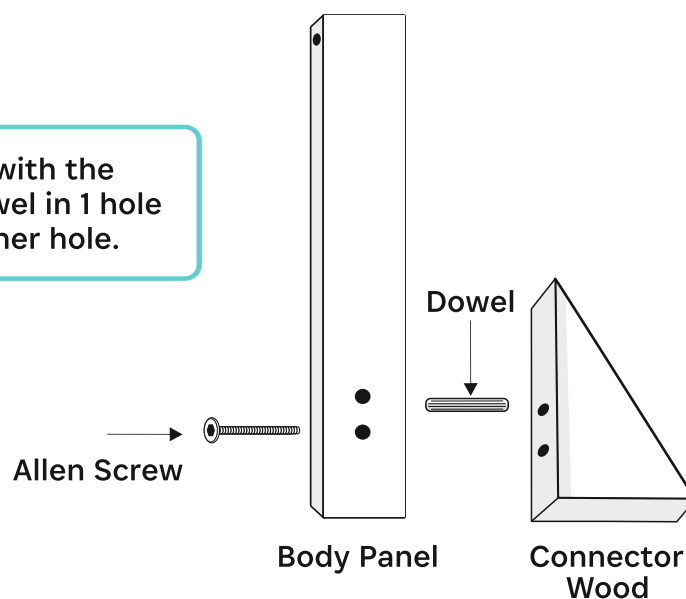
# Assembly Instruction Manual



**Please ensure availability of all materials listed before starting assembly.**

## Step 1

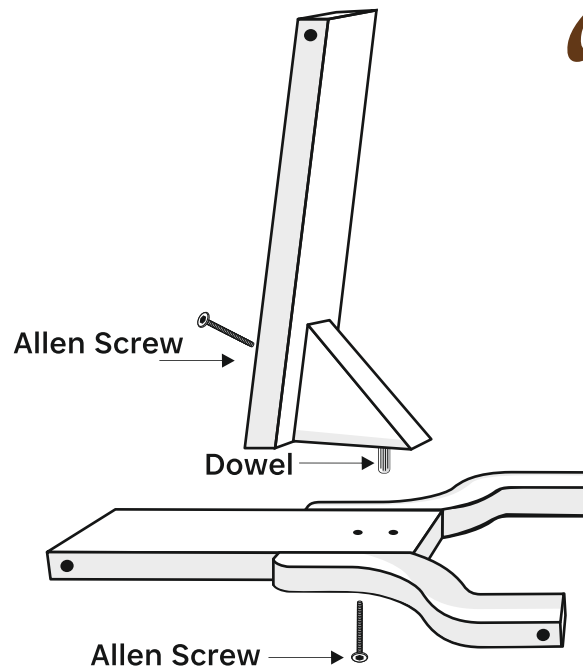
Connect the body panel with the connector wood. Use dowel in 1 hole and allen screw in the other hole.



## Traditional Push Walker Assembly Instruction Manual

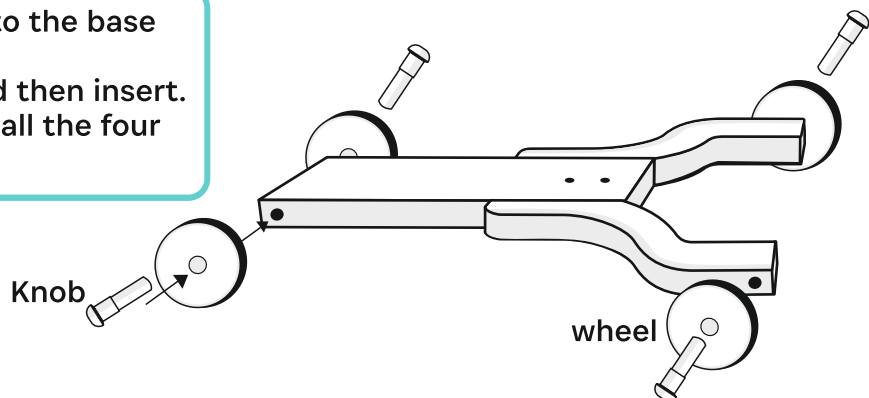
### Step 2

Connect the assembly made in step 1 to the base panel. Use dowel in 1 hole and allen screw in another hole. Use the allen key to tighten the allen screw



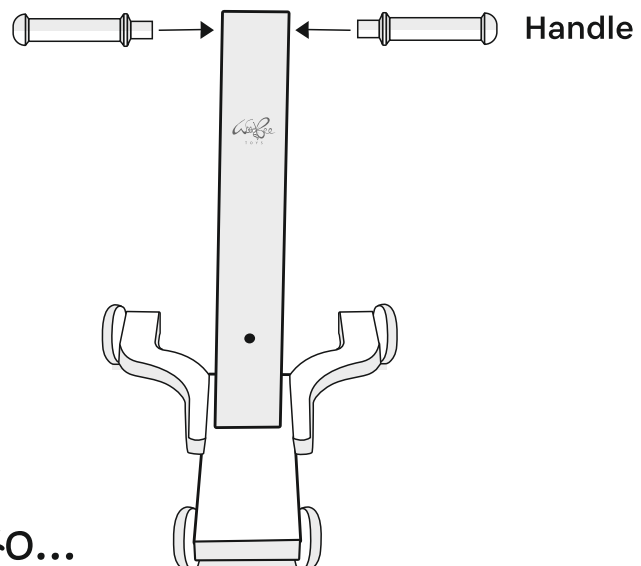
### Step 3

Connect all the four wheels to the base with the help of wheel knob. Apply fevicol to the knob and then insert. Hammer the knob to ensure all the four knobs are completely tight.



### Step 4

Similar to step 3, apply fevicol to the handle and insert it to the body panel at its top.



Now Ready to Go...