

Assembly Instruction Manual



Sleigh body frame
2 - Nos.



Handle
2 - Nos.



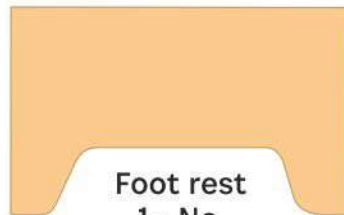
Allen screw
14 - Nos.



Small screw
4 - Nos.



Back rest
1 - No.



Foot rest
1 - No.



Wooden rod
1 - No.

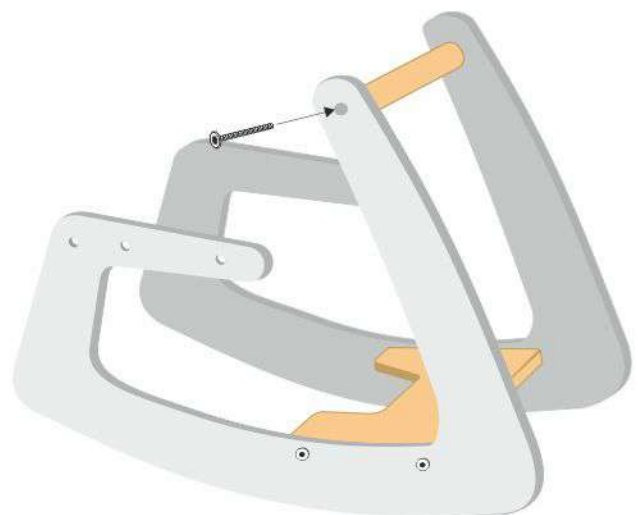
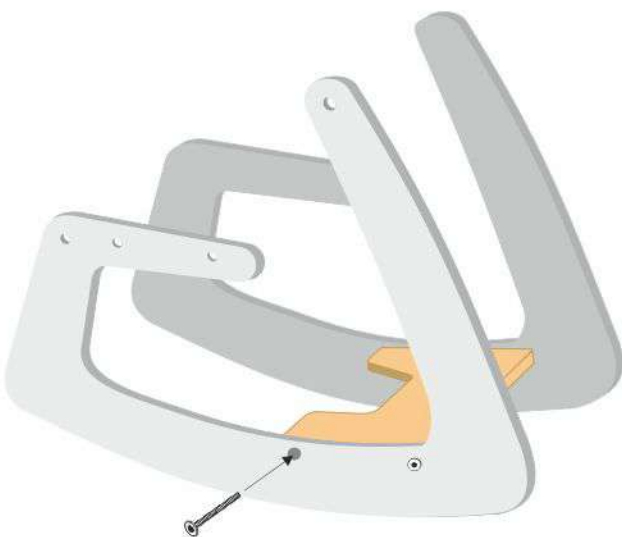


Seat rest
1 - No.

Please ensure availability of all materials listed before starting assembly.

Step 1

Connect the foot rest & wooden rod in the sleigh rocker body frame as shown in the fig.



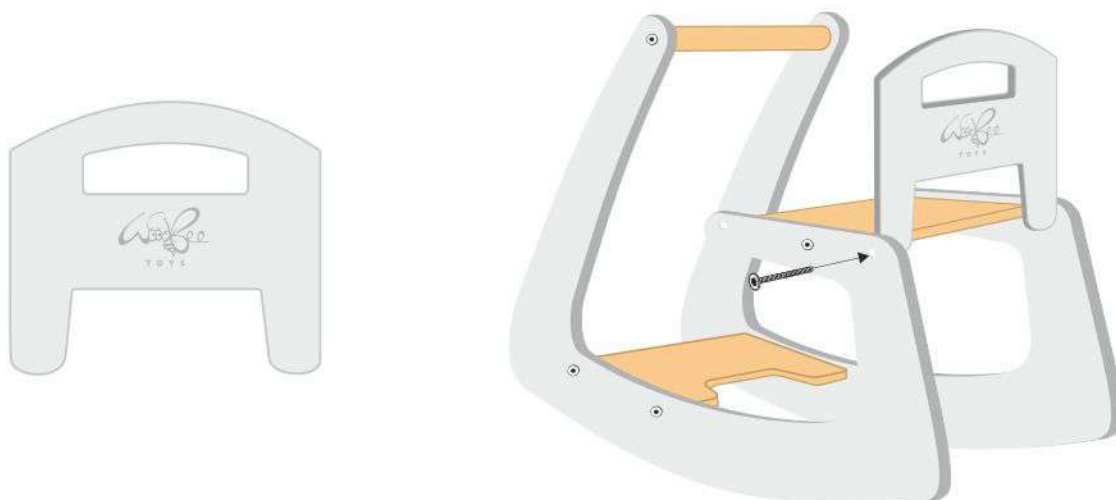
Step 2

Connect the seat to the assembly as shown.
Connect only the middle hole.



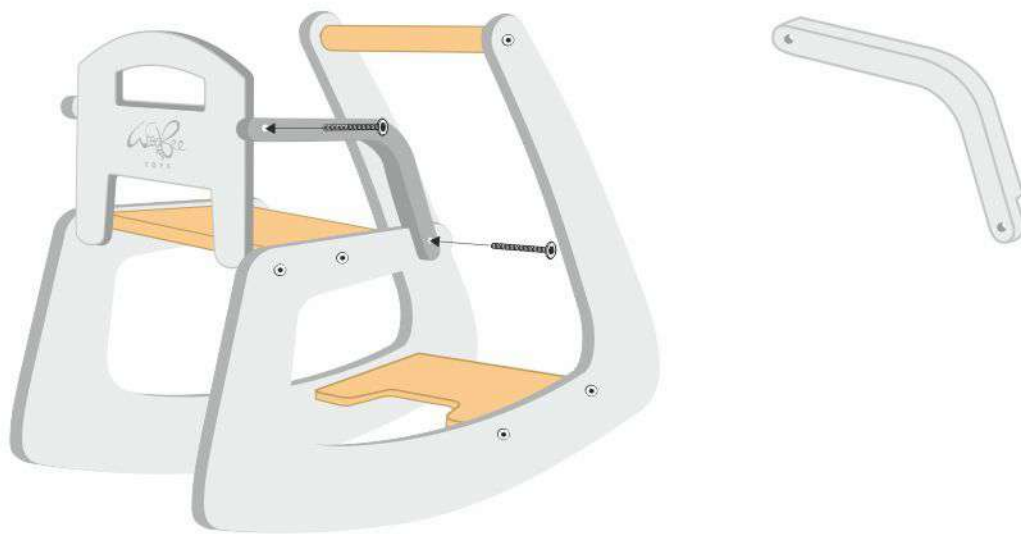
Step 3

Connect the back rest as shown in the fig.
Connect only the bottom holes




Step 4

Connect the handle in such a way that the top hole in back rest and front hole in the seat are connected



Now Ready
to Rock...

 "Parental supervision
necessary at all times"