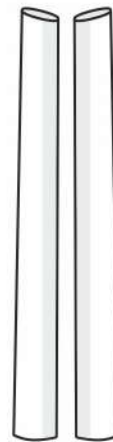
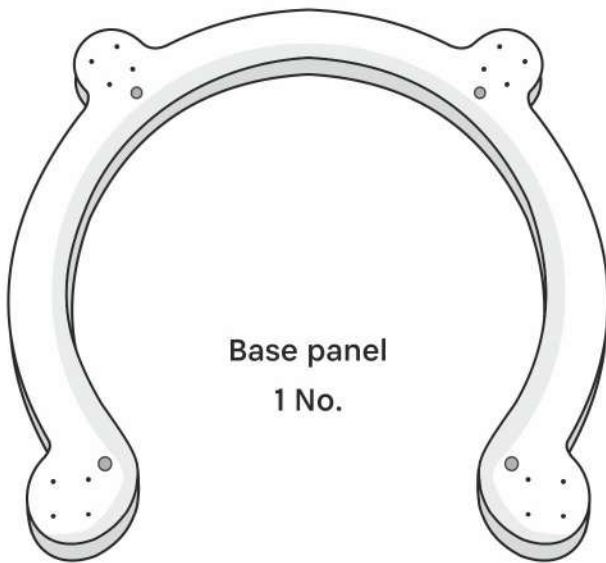


Assembly Instruction Manual



Small
screw
16 Nos.



Allen screw
8 Nos.

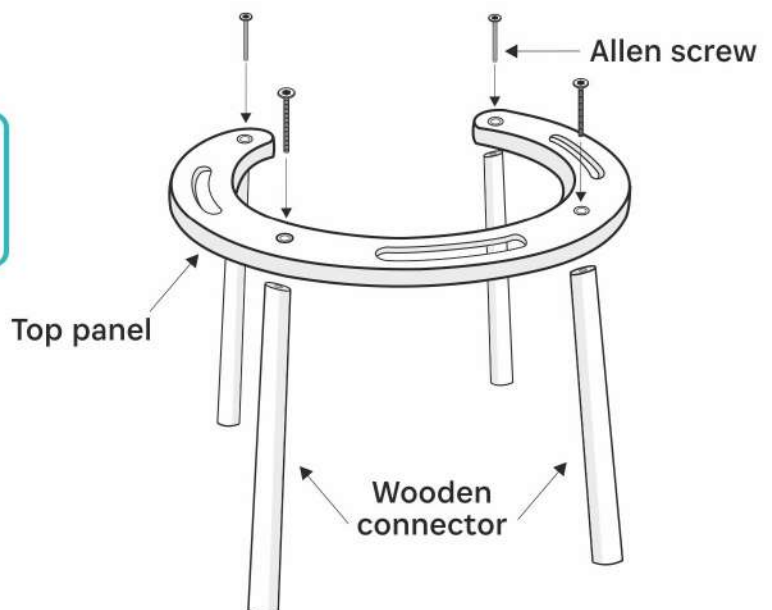


Wheel
4 Nos.

Please ensure availability of all materials listed before starting assembly.

Step 1

Connect the top panel with the connector rods. Use allen screw and tighten it with the allen key.





Rolling push walker

Assembly instruction manual

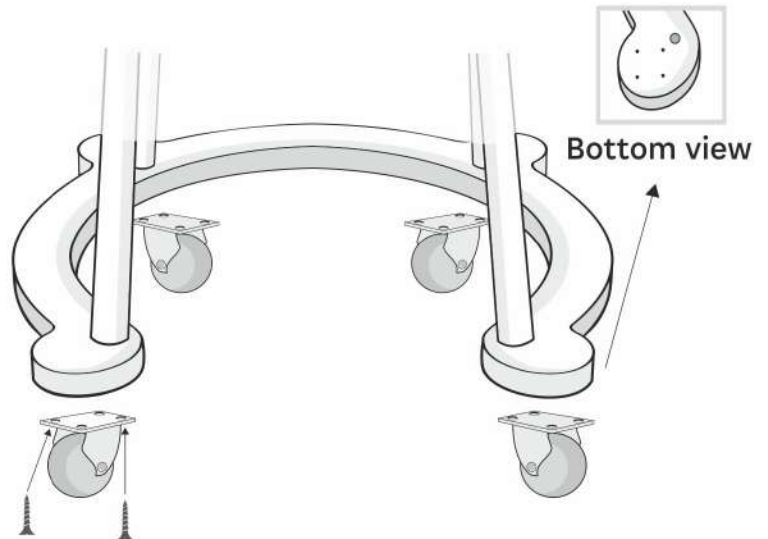
Step 2

Connect the part assembled in step-1 with the base panel. Use allen screw and tighten it with the allen key



Step 2

At the bottom the base panel, you will find screw holes to connect the wheels. Use the small screw provided to connect the wheels.



Now Ready to Go...

