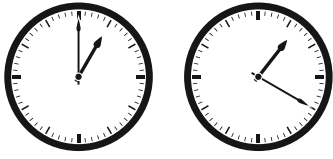


# Assembly Instruction Manual

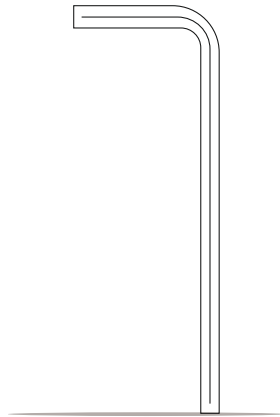


# Kitchen Helper and Activity Table Assembly Instruction Manual

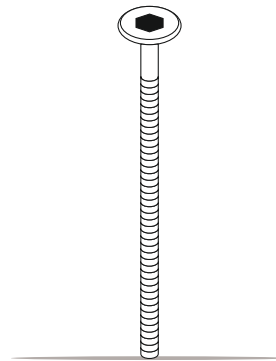


Assembly time : Approx 20 mins.

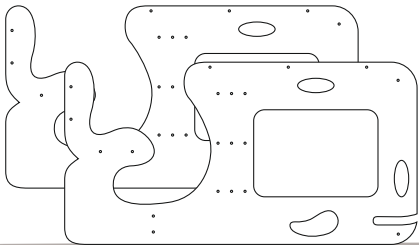
## List of Items



(a)  
Allen key  
1 No.



(b)  
Allen bolts  
28 Nos.



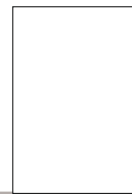
(I)  
(2 Nos.)  
Main Panels



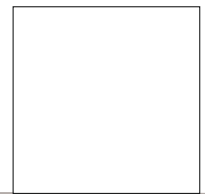
(II)  
(1 No.)  
Bottom  
panel



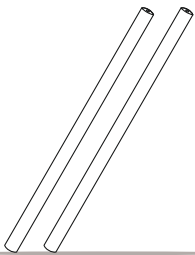
(III)  
(2 Nos.)  
Back support  
panel and  
seat panel



(IV)  
(1 No.)  
Kitchen  
helper  
panel



(V)  
(1 No.)  
Activity  
board



(VI)  
2 Nos.  
Beech Wood Rods

### Note :

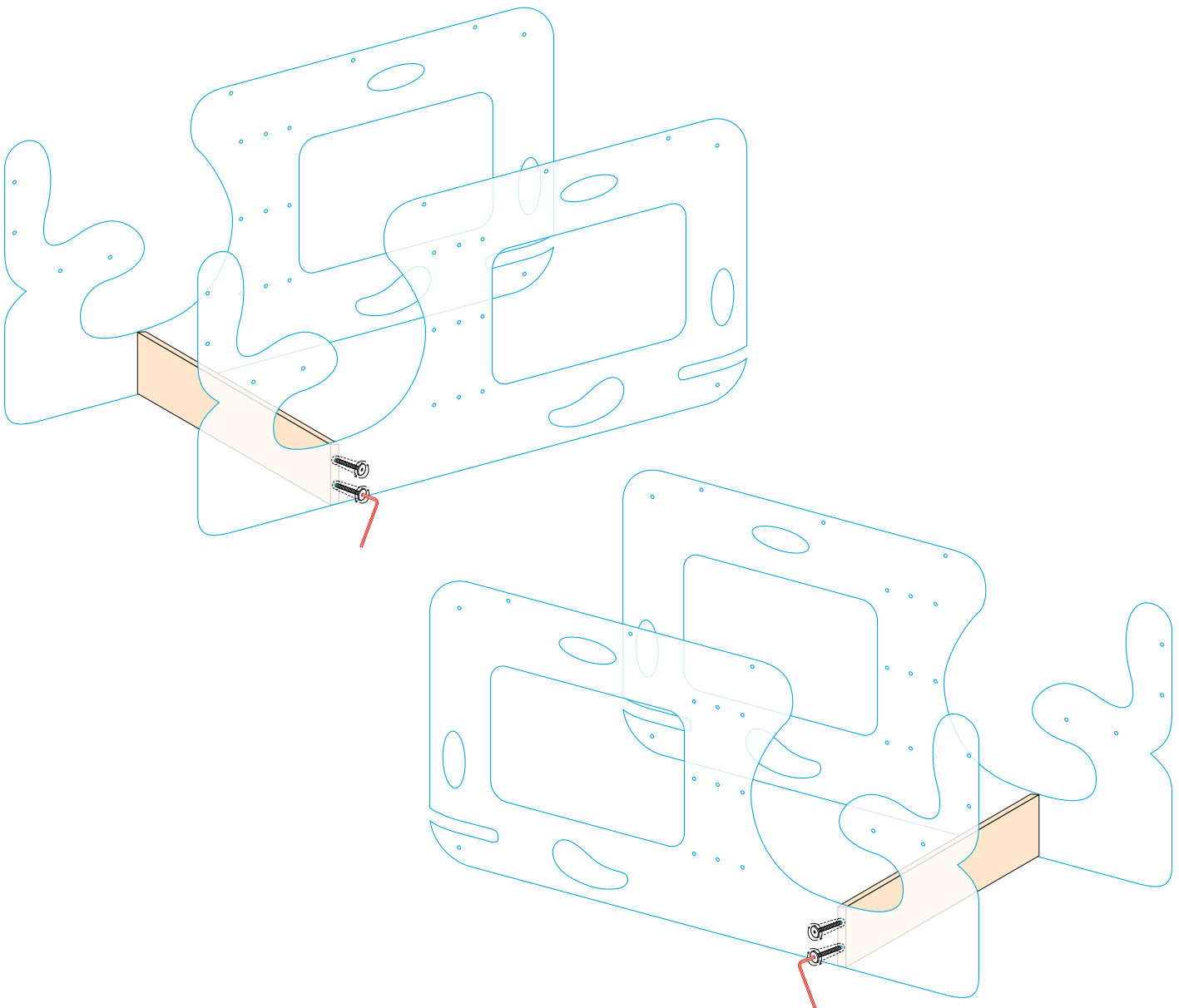
- Arrange the panels from shortest width to longest width as shown above.
- Please ensure availability of all materials listed before starting assembly.

# Kitchen Helper and Activity Table

## Assembly Instruction Manual

### Step 1

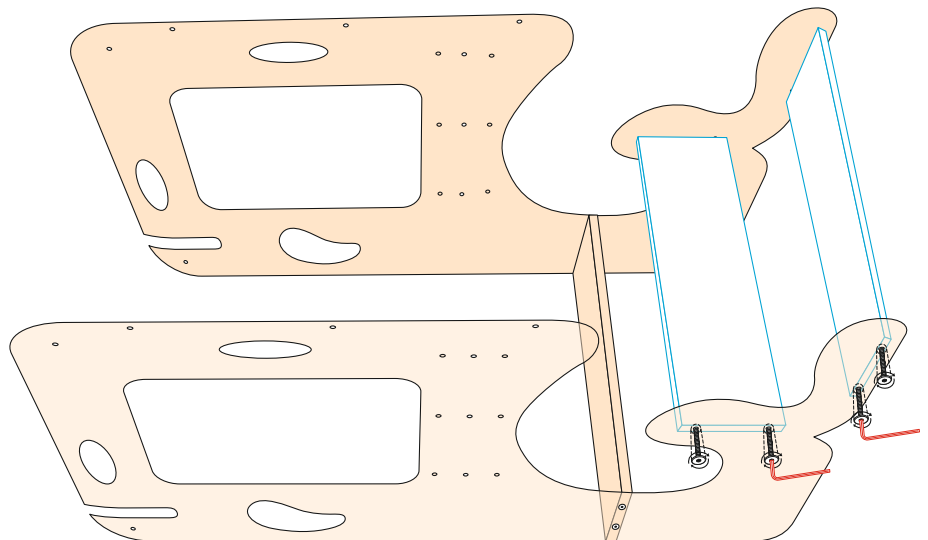
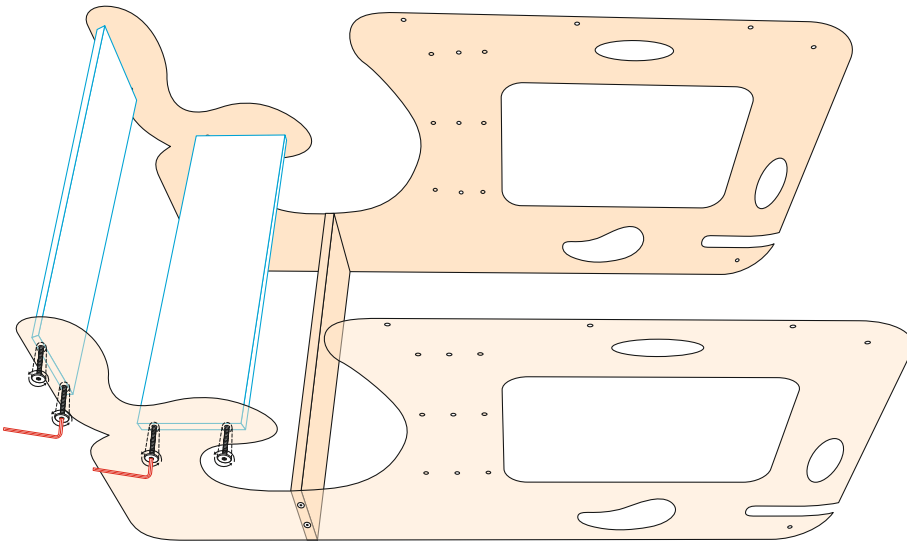
Attach the bottom panel (II) to the main frame (I) by using the allen bolts as shown in the picture.



# Kitchen Helper and Activity Table Assembly Instruction Manual

## Step 2

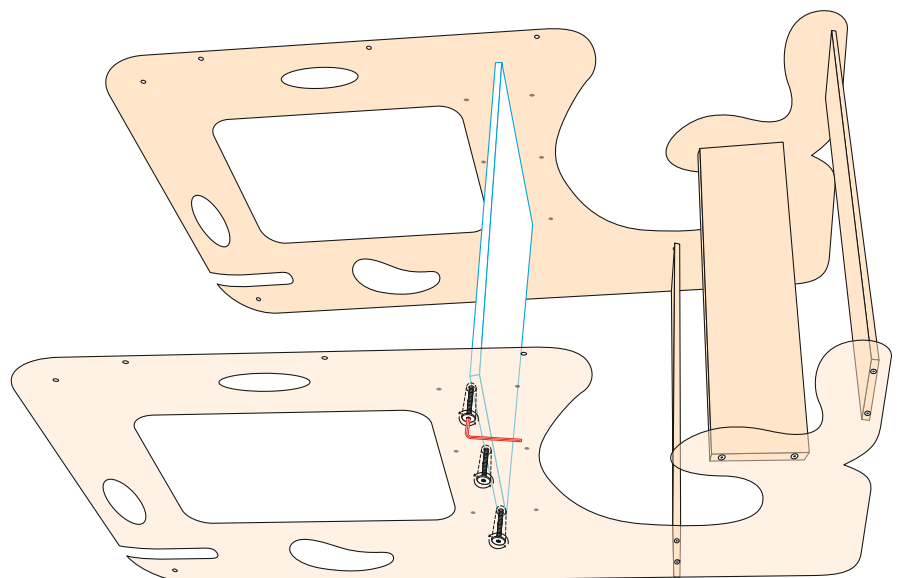
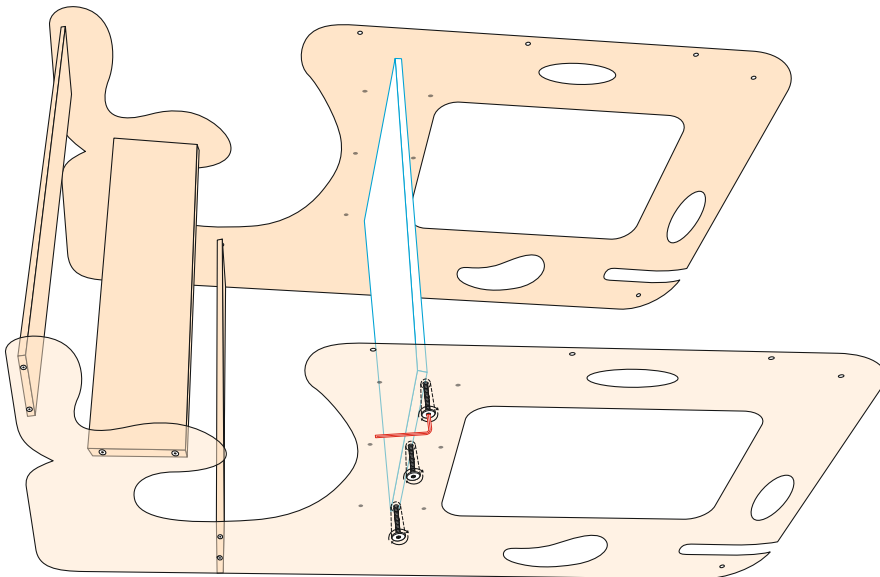
Connect the back support panel and seat panel (III) with the allen bolts as shown in the picture to the main frame structure (I) as you did in step 1.



# Kitchen Helper and Activity Table Assembly Instruction Manual

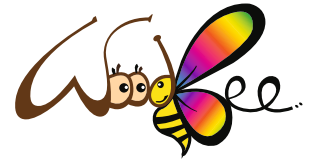
## Step 3

Attach the Kitchen helper panel (II) to the main frame structure as shown in step 1 & 2 using allen bolts as shown in the picture.



# Kitchen Helper and Activity Table

## Assembly Instruction Manual



T O Y S

[www.woodbeetoy.com](http://www.woodbeetoy.com)

### Step 4

Use the allen bolts shown in the picture to attach the activity board (V) and the two beech wood rods (VI) to the main frame structure you already fixed.

