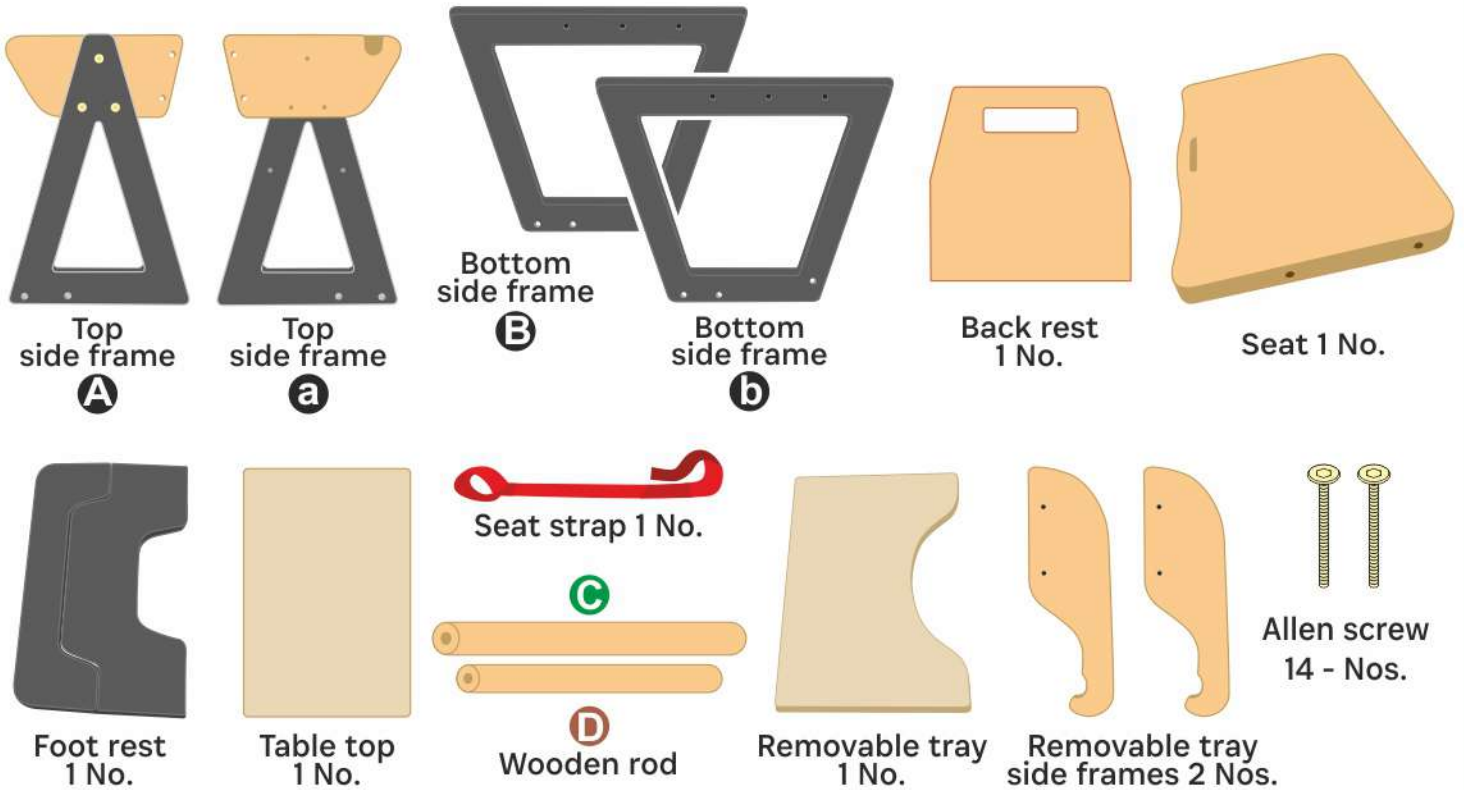




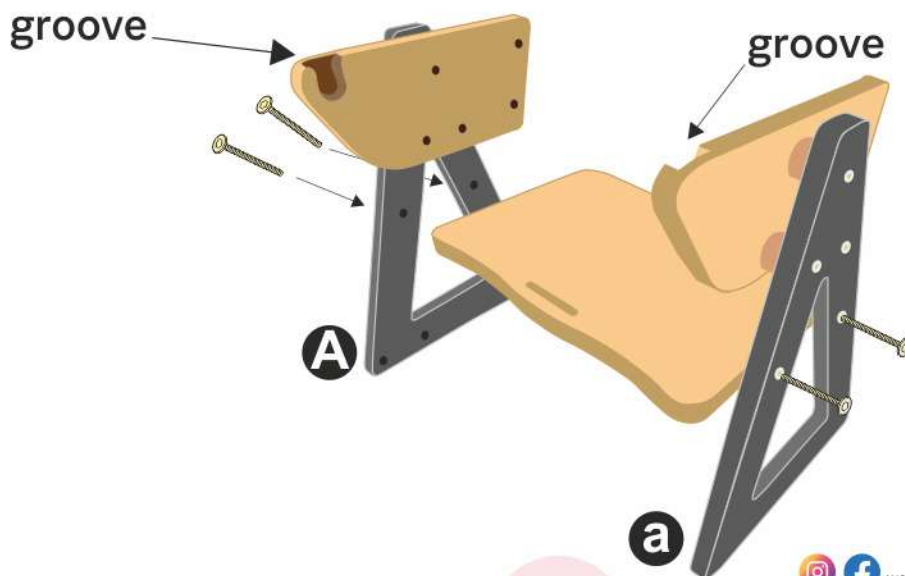
Assembly Instruction Manual



Please ensure availability of all materials listed before starting assembly.

Step 1

Place the top frame **A** & **a** in such a way that the groove is in front side & facing each other
Attach the seat to the two screw on each frame as shown in the figure



Step 2

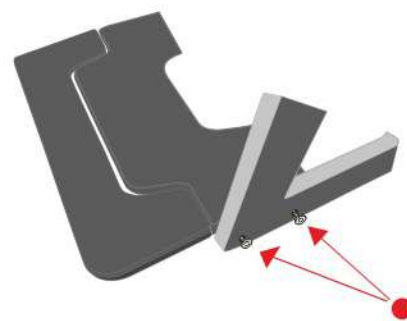
Attach the back rest to the assembly using the screw on each side as shown in the figure.



Step 3

Attach the foot rest to the assembly as shown in the figure using two screws on each sides

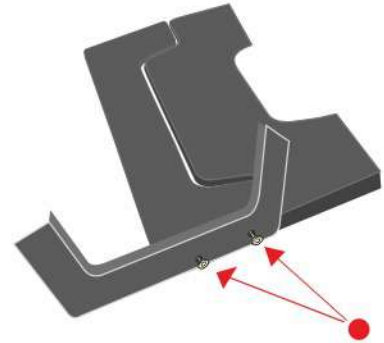
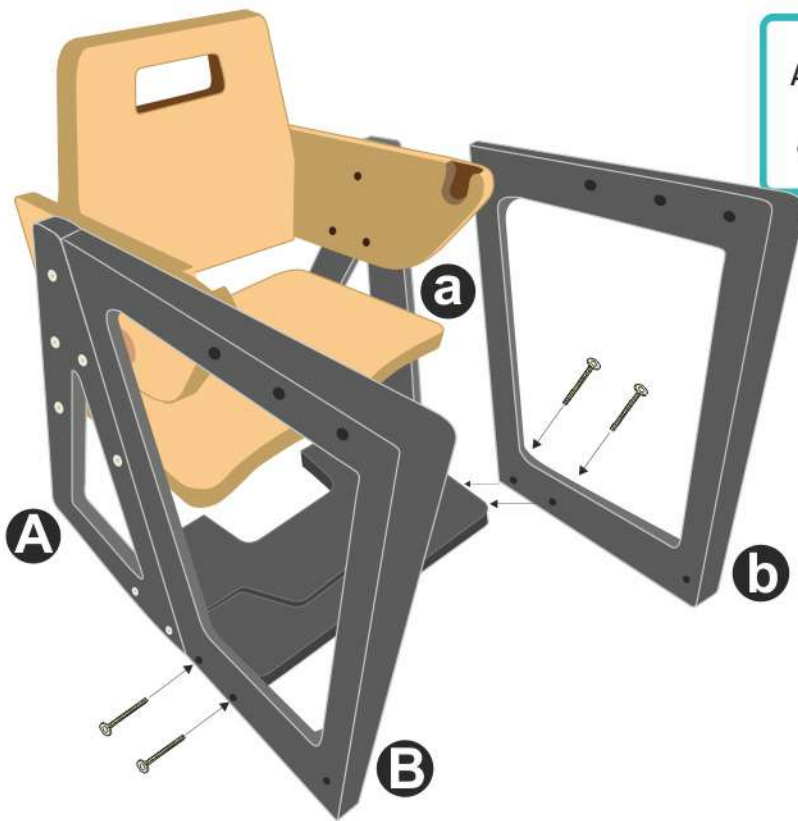
- Don't tighten the screw fully. After the complete assembly only the screw has to be tightened finally



Place the foot rest exactly as show in the figure.

Step 4

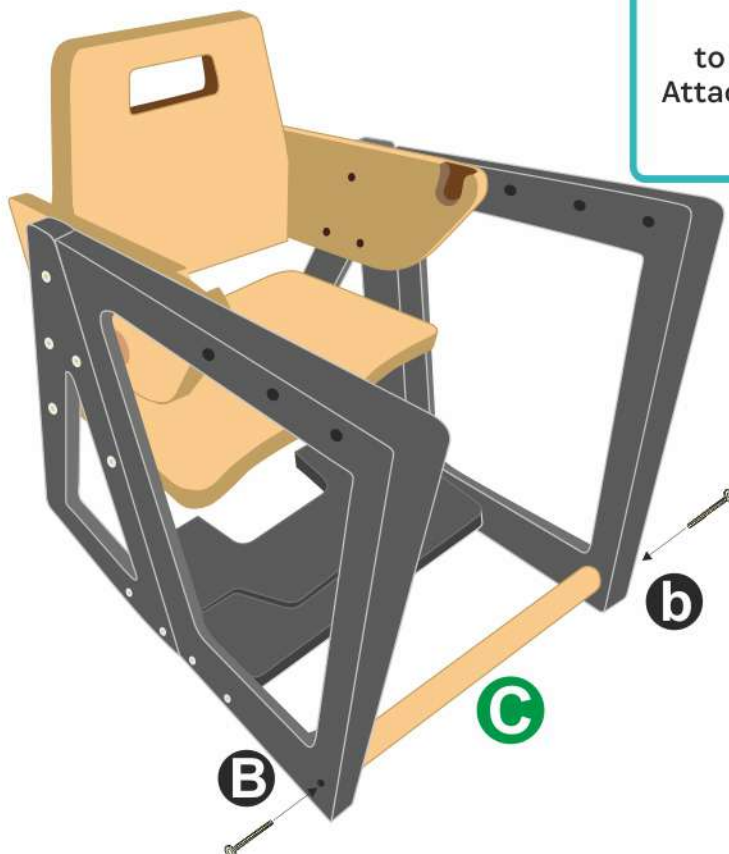
Attach the bottom side frame **B** & **b** to the foot rest using two screws on each side as shown on the figure



● Don't tighten the screw fully. Only after the complete assembly, the screw has to be tightened finally

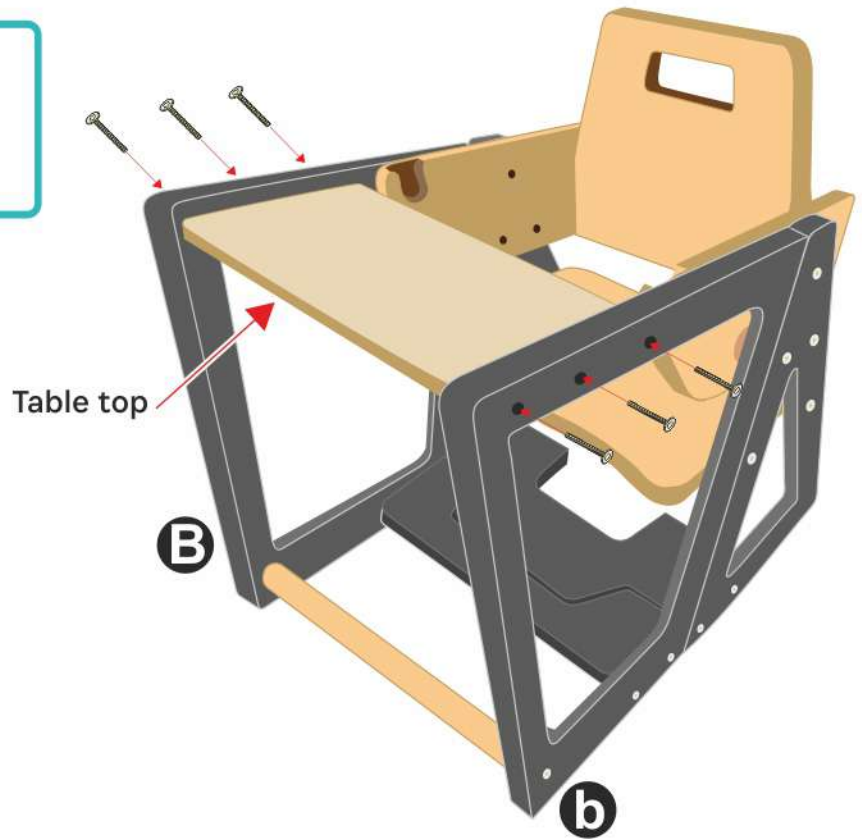
Step 5

Attach the Wooden rod **C** to the bottom side frame **B** & **b**. Attach the screw on each side frame as shown in the figure



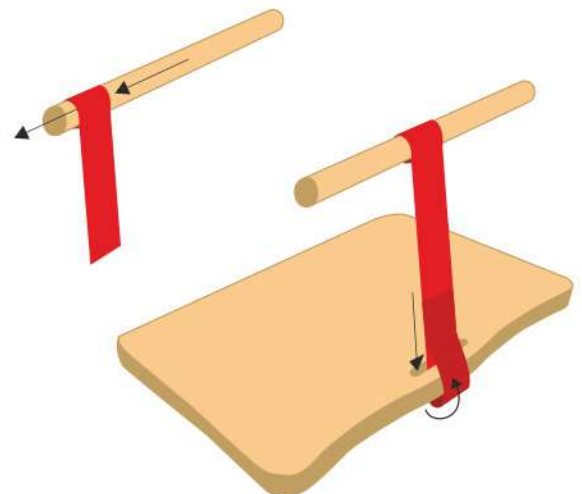
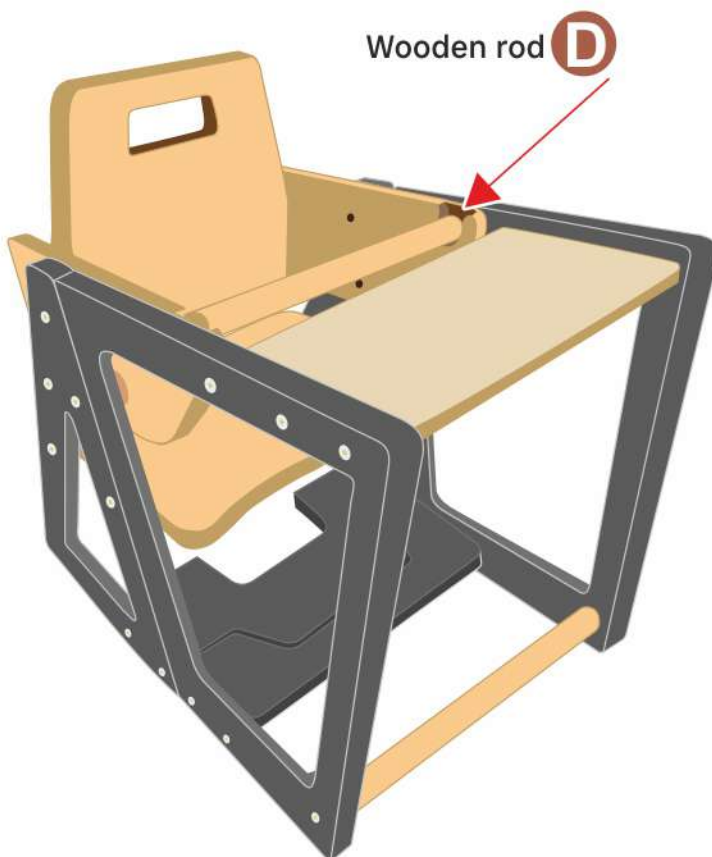
Step 6

Place the table top & screw it to the bottom frame using three screw on each side



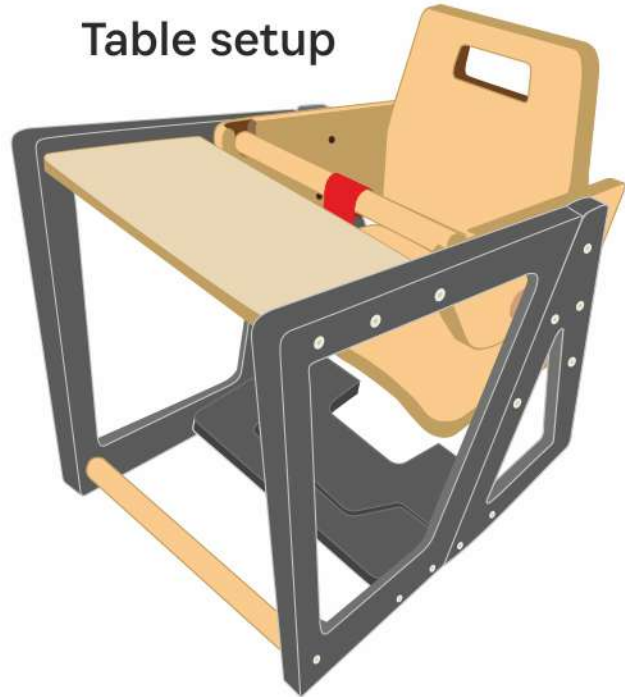
Step 7

Place the wooden rod **D** to the top side frame **A** & **a** groove as shown in the figure

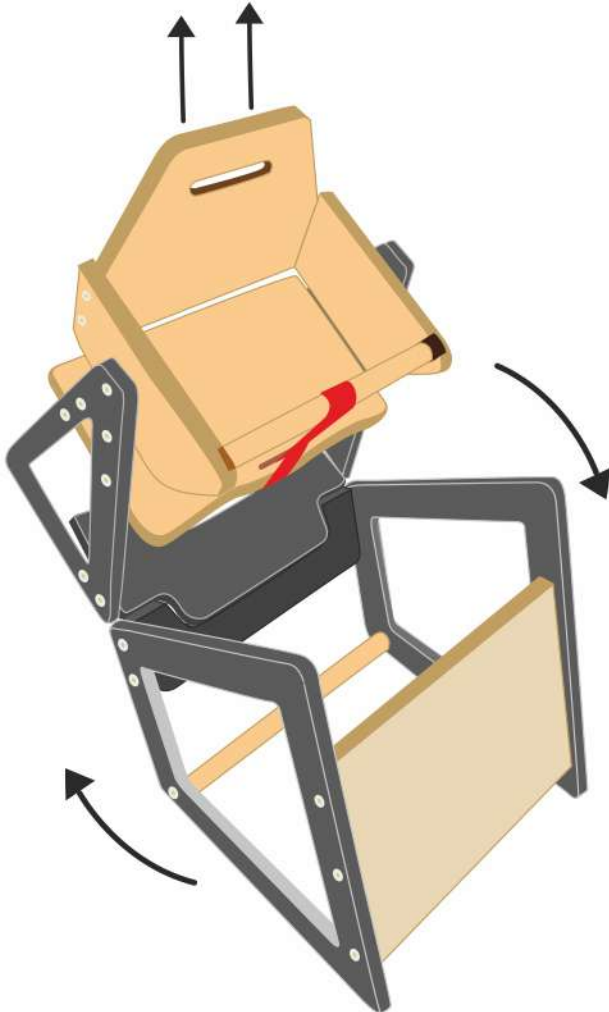


Attach the strap as in the figure.

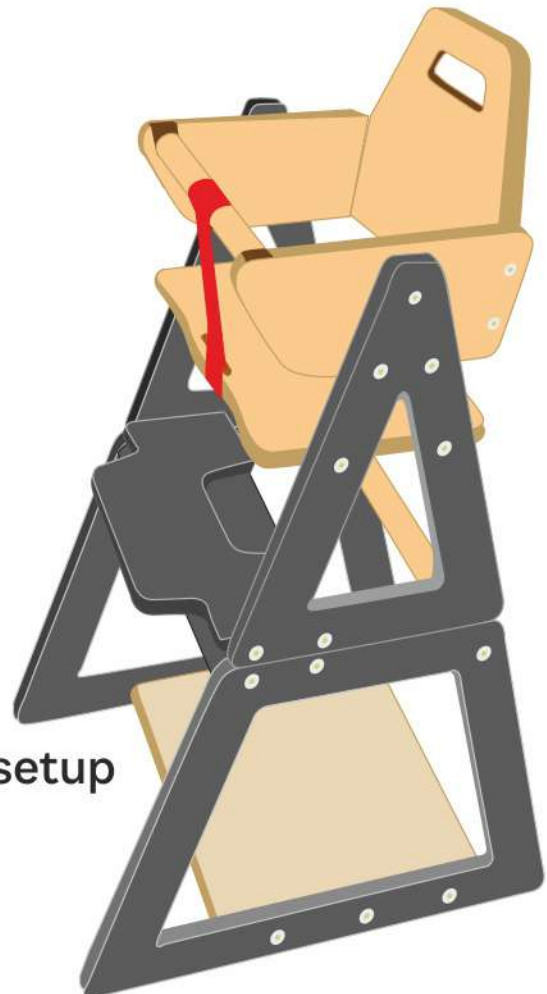
Table setup



Pull up



High chair setup



Now Ready
to use...


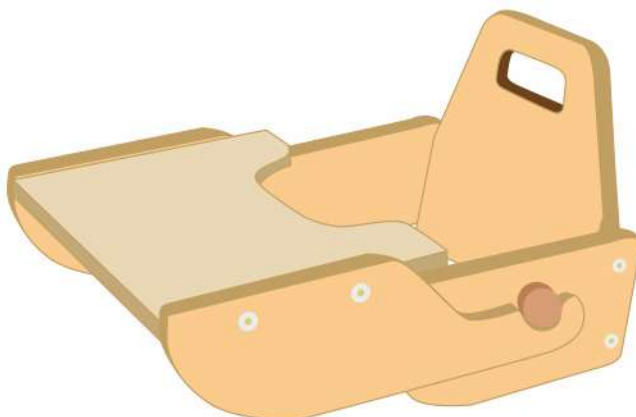
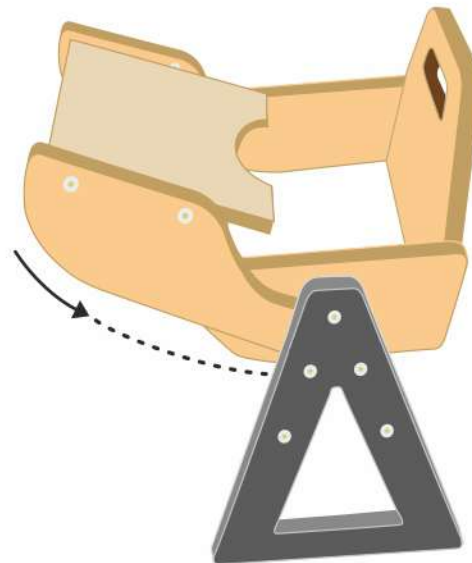
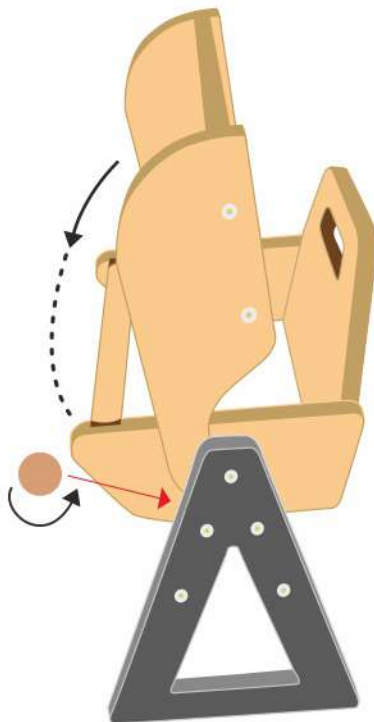
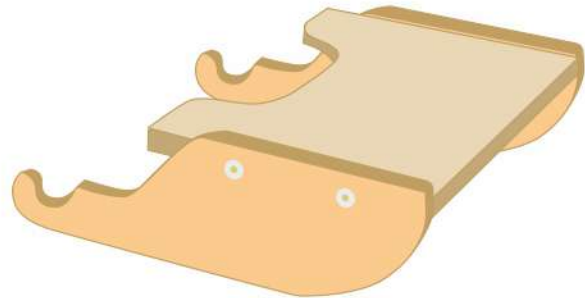
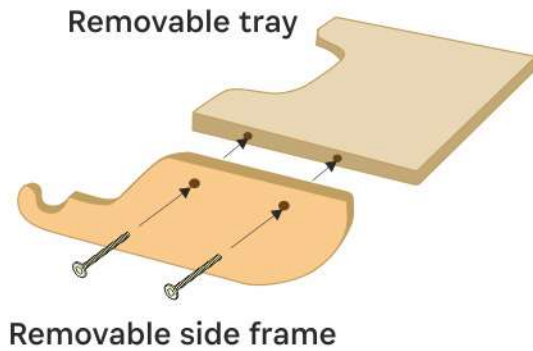
DO NOT USE THIS CHAIR AS A STEP STOOL/LADDER.
DO NOT USE CHAIR UNLESS ALL BOLTS, SCREWS AND KNOBS ARE TIGHT.

Assembly

Removable Tray Fixing

Step 8

Attach the removable side frame to the removable tray using two screws on each side



"Parental supervision
necessary at all times"