

4

3

2

1

F

F

E

E

D

D

C

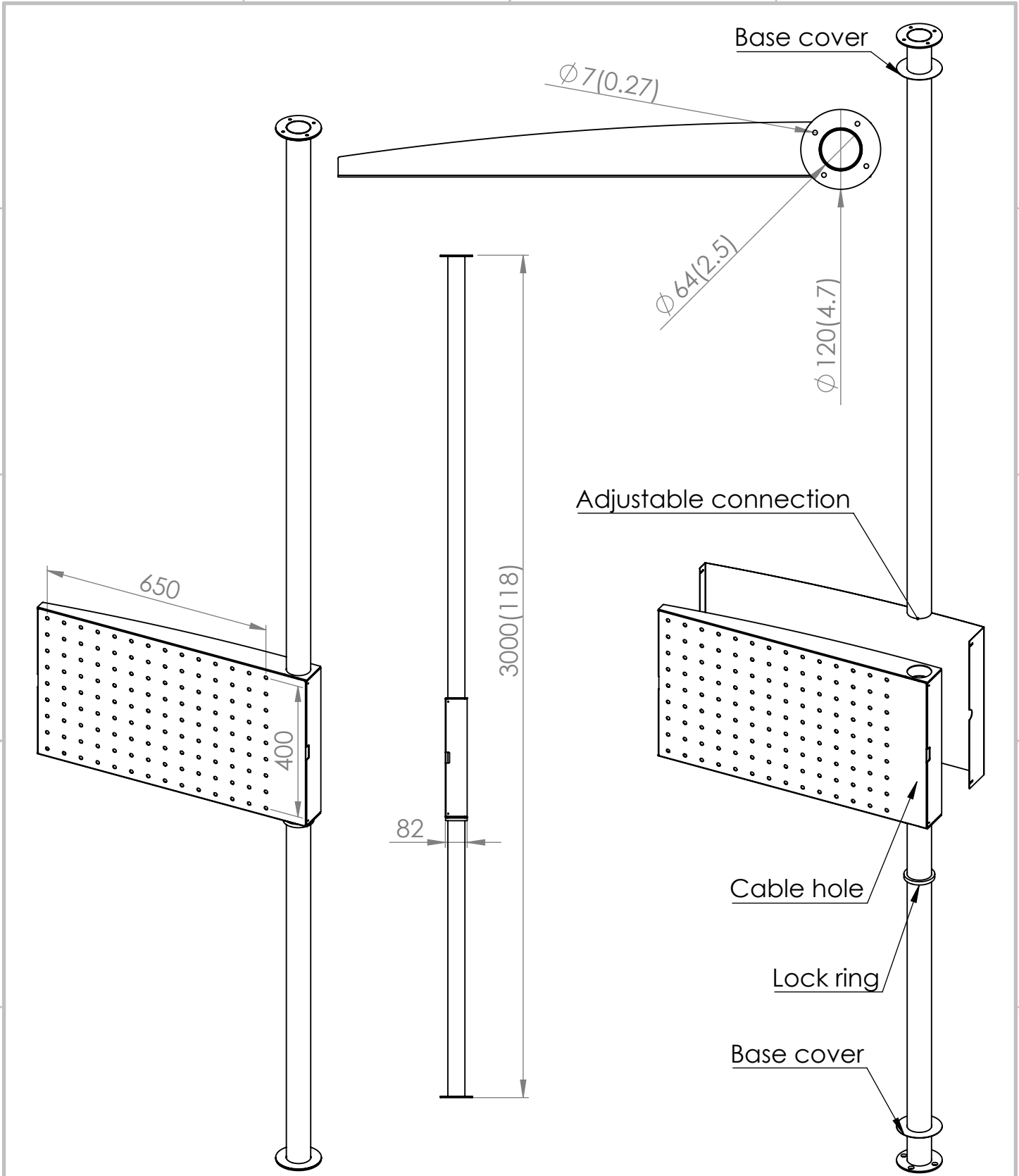
C

B

B

A

A



© Copyright 2004-2023. All Rights Reserved.

iConnect Ltd

TITLE:

TVS-FCD-77

DWG NO.

A4

SCALE:1:20

SHEET 1 OF 1

The logo for iCONNECT, featuring a stylized lowercase 'i' followed by a large uppercase 'C' that encloses a silhouette of a person riding a bicycle. To the right of the 'C' is the word 'ONNECT' in a bold, sans-serif font, with a trademark symbol (TM) at the end.

4

3

2

1