

Fold Down Ceiling Tv Lift

TVL-RH



Thank you for buying **iConnect** products.
The **TVL-RH** is the latest technology in fold down ceiling Tv lifts.
Please read this manual carefully before assembling.

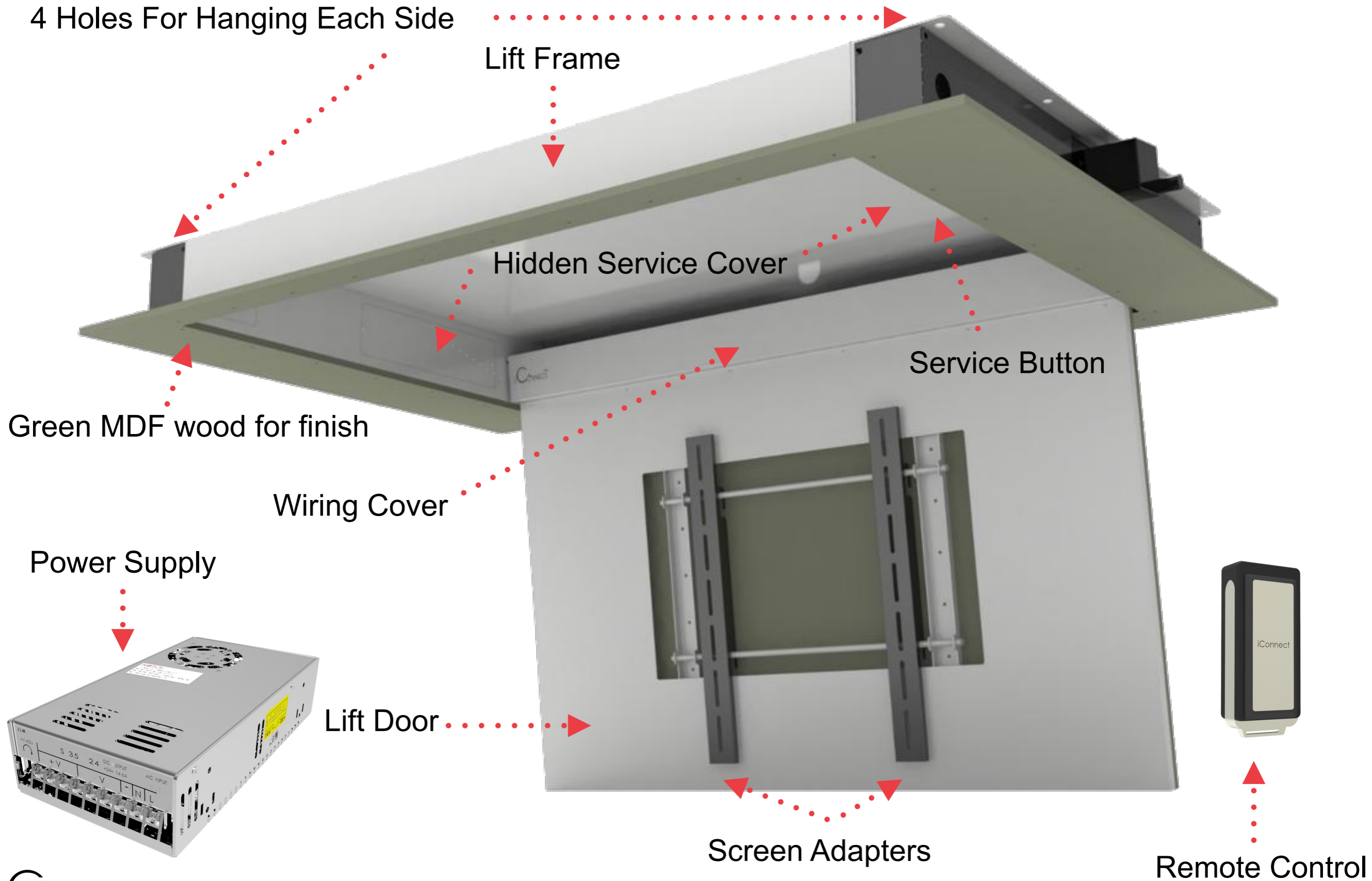
MAIN	1.
CONTENTS	2.
SAFETY	3.
OVERVIEW	4.
REMOTE CONTROL	5.
POWER SUPPLY	6.
LIFT INSTALLATION	7-12.
FINISH	13-15.

Fold down ceiling Tv lift TVL-RH must be installed by specialized personnel only.

Before installing the Fold down ceiling Tv lift, please read the following instructions carefully

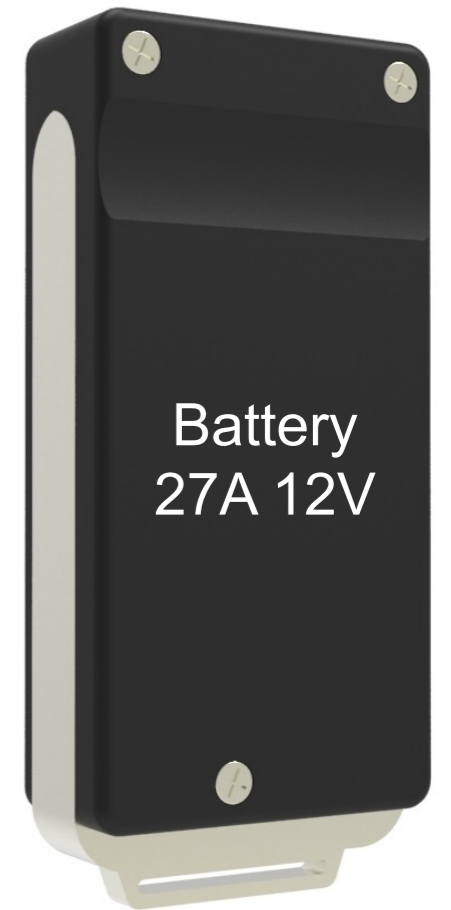
1. The Fold down ceiling Tv lift must be used indoors only.
2. Never connect more than one lift motor to the same switch.
3. In case of maintenance, unplug the power supply.
4. Incorrect use, including exceeding the maximum lifting weight, would be dangerous and invalidate the warranty.
5. The manufacture do not take responsibility for any damage to property or personal injury, if the lift is used outside of recommended specifications.
6. Incorrect servicing could lead to risk of electric shock.
7. For any repairing, please directly contact the dealer you purchased the unit from.
8. Check at least once a year that the screws of the steel cables are well tightened.

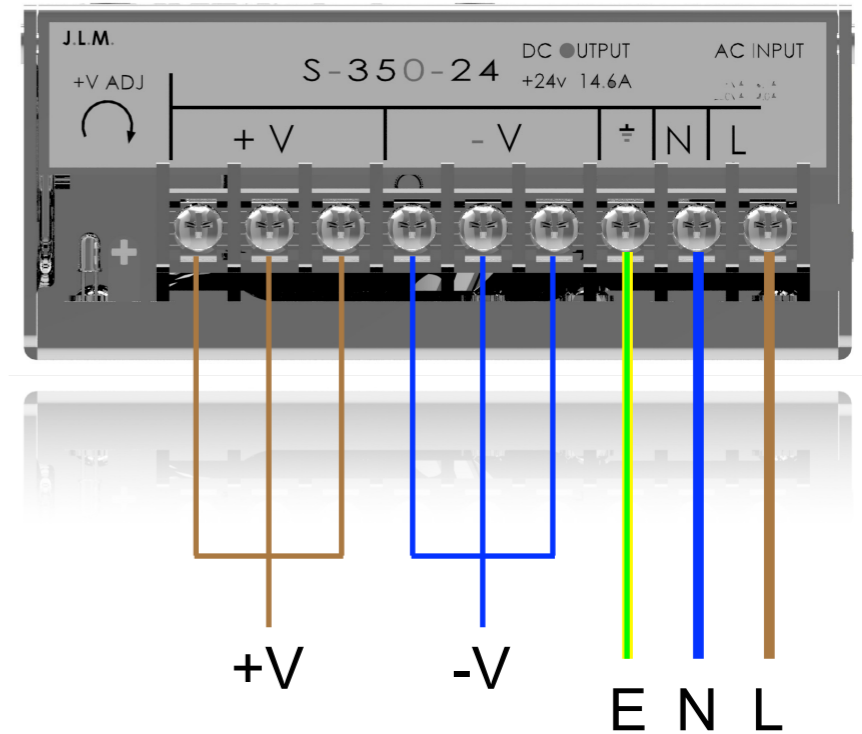




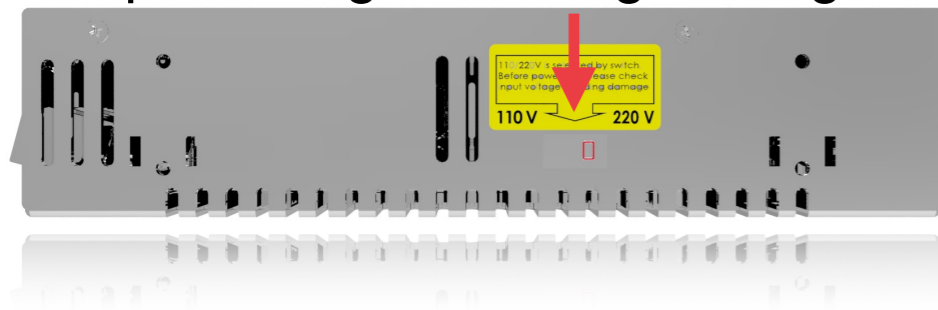


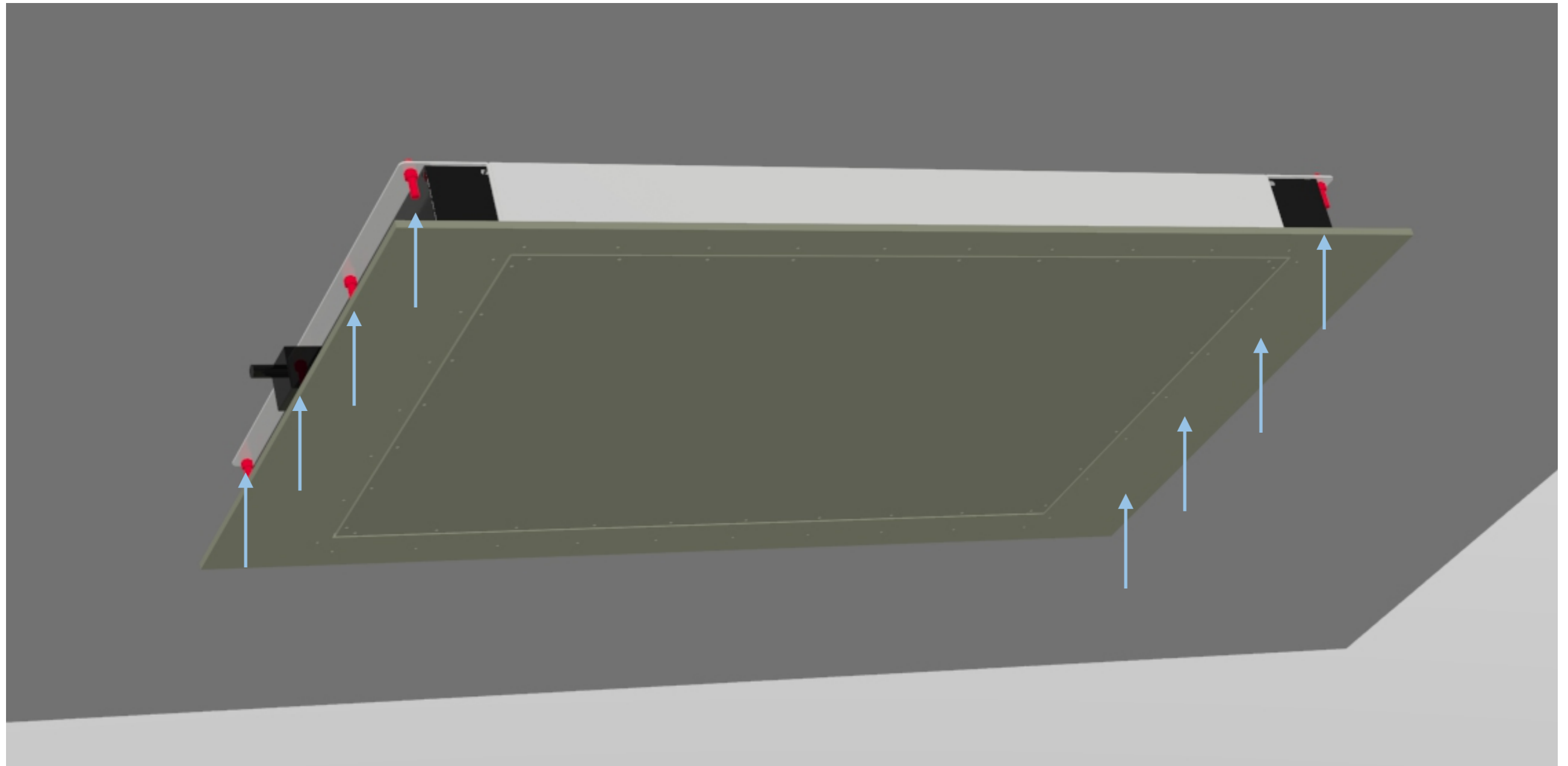
Close → [Up Arrow] [Down Arrow] ← Open
Stop → [Square] [Grid] ← Lern





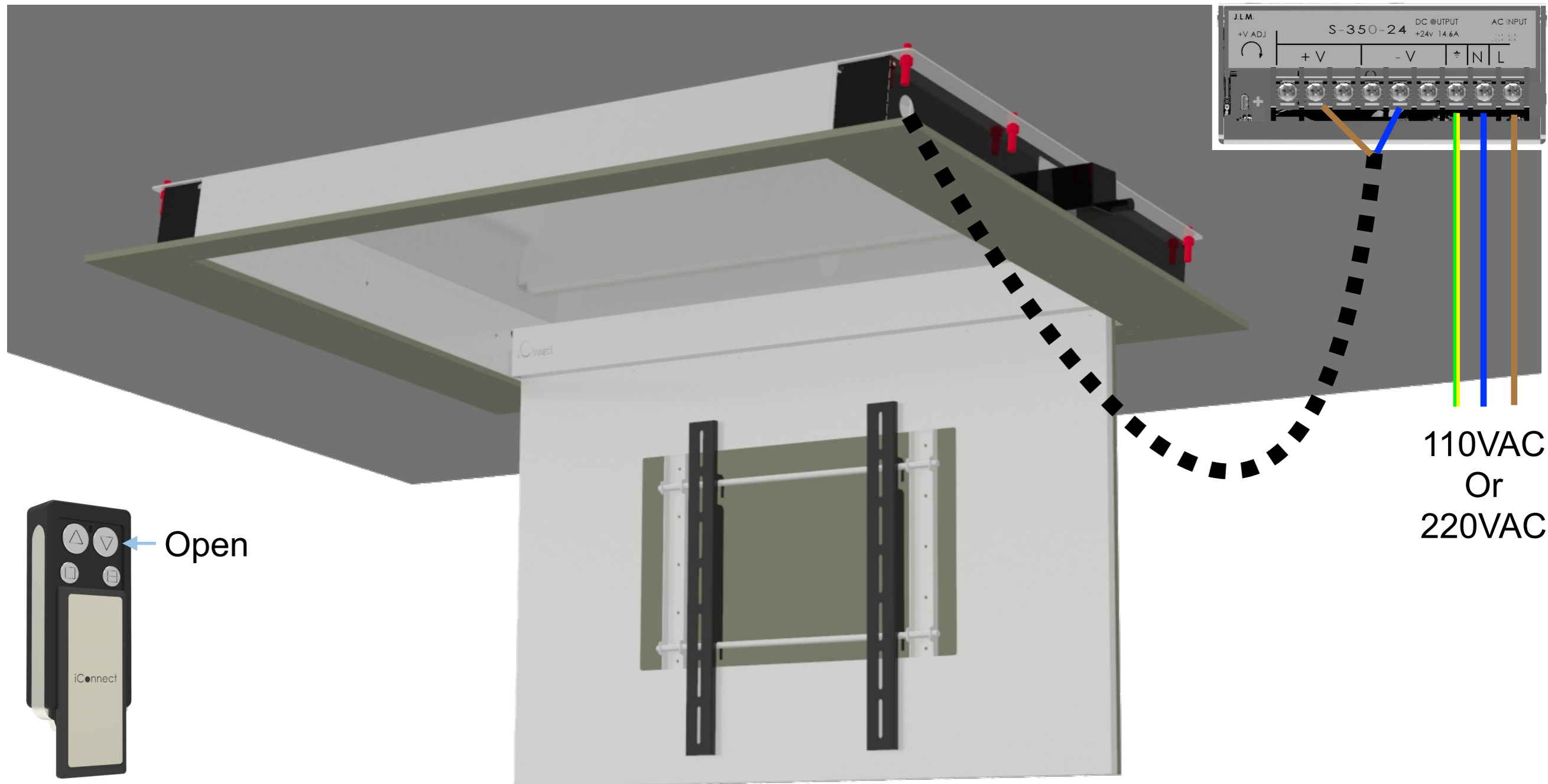
110/220V is selected by switch
Before power on please check
input voltage avoiding damage



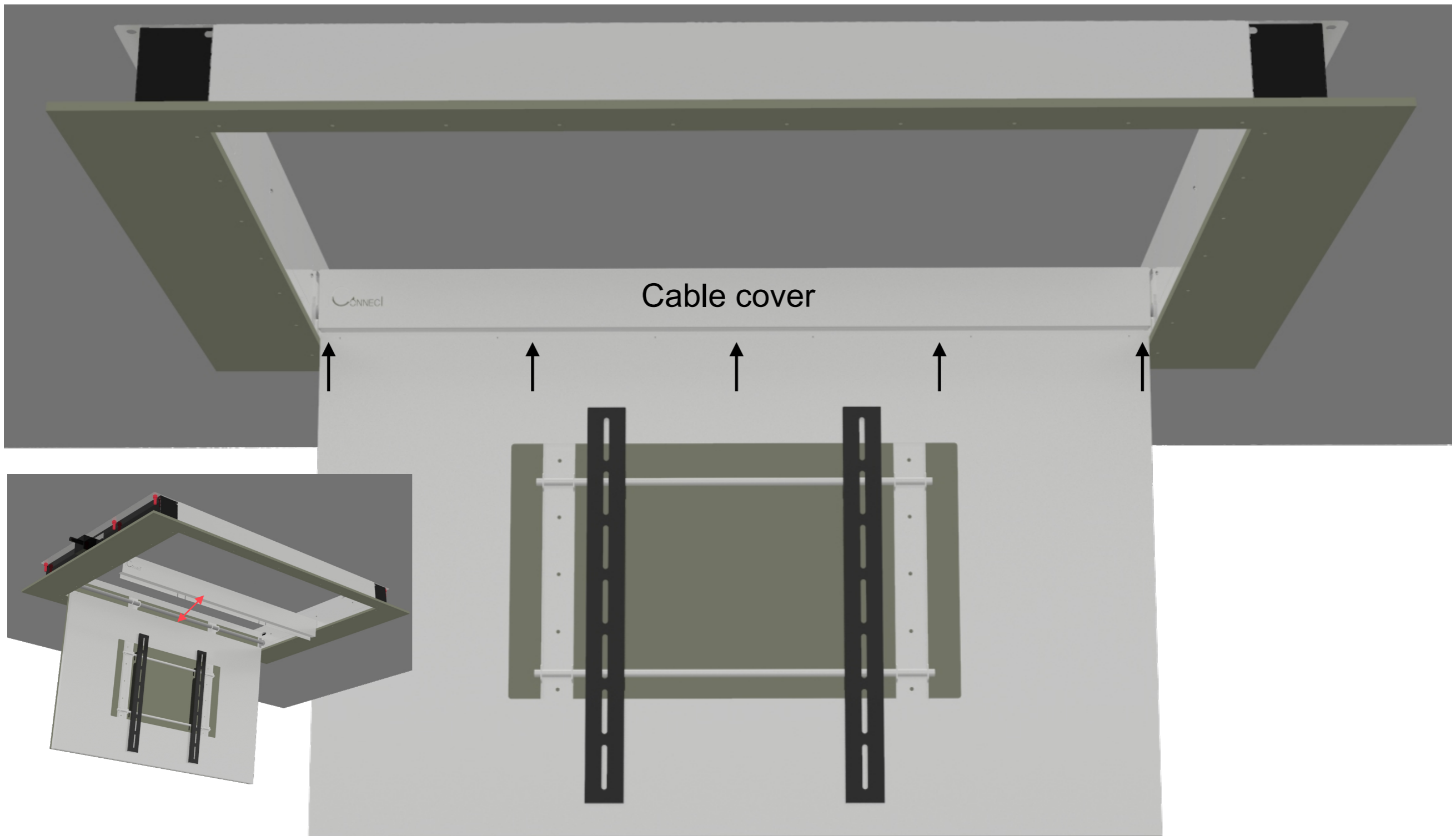


Mark 8 to 6 holes in the ceiling.
Drill the marked holes in the ceiling, diameter 10-12mm and install the lift to the
desired height.

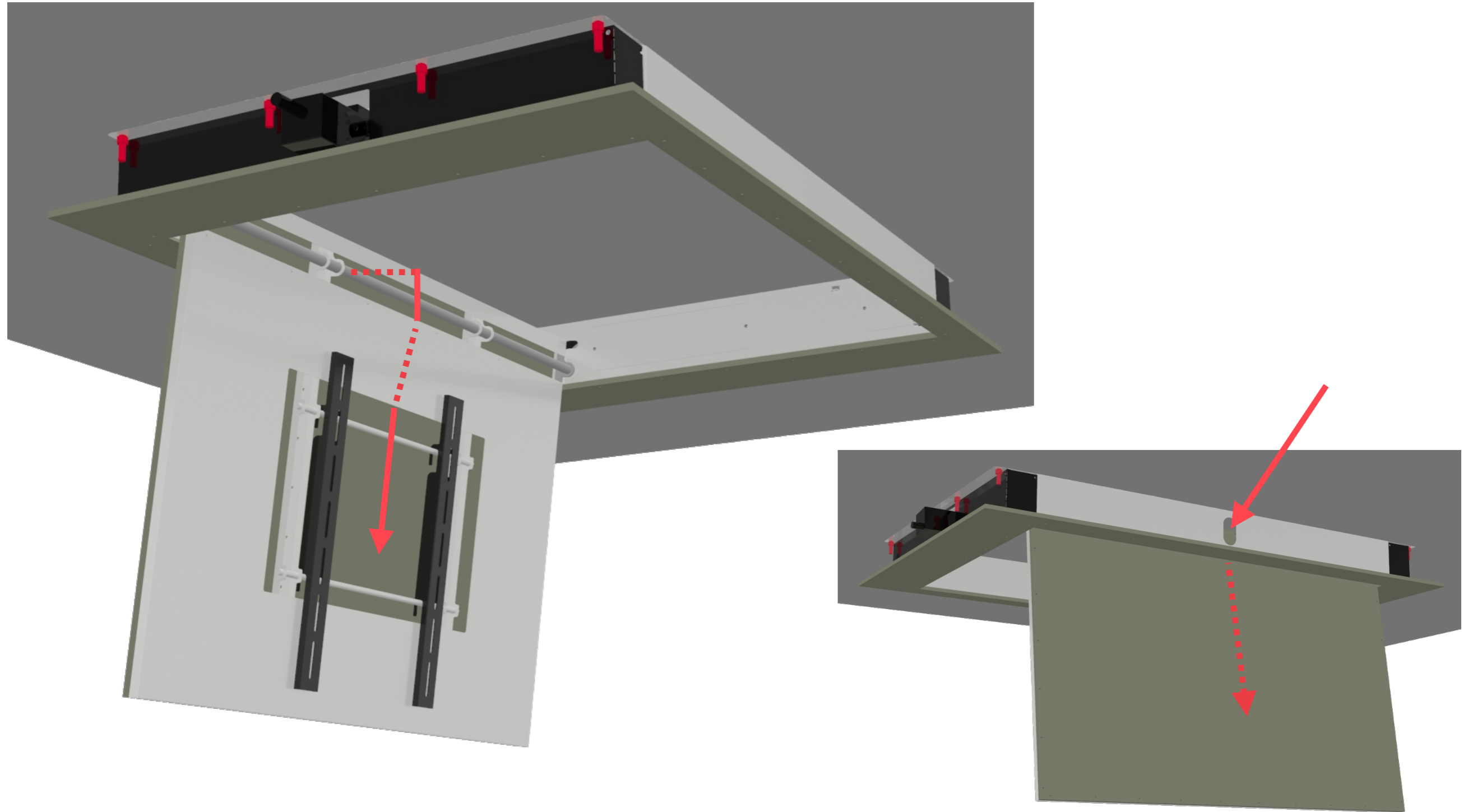
Make sure the lift is level and flush



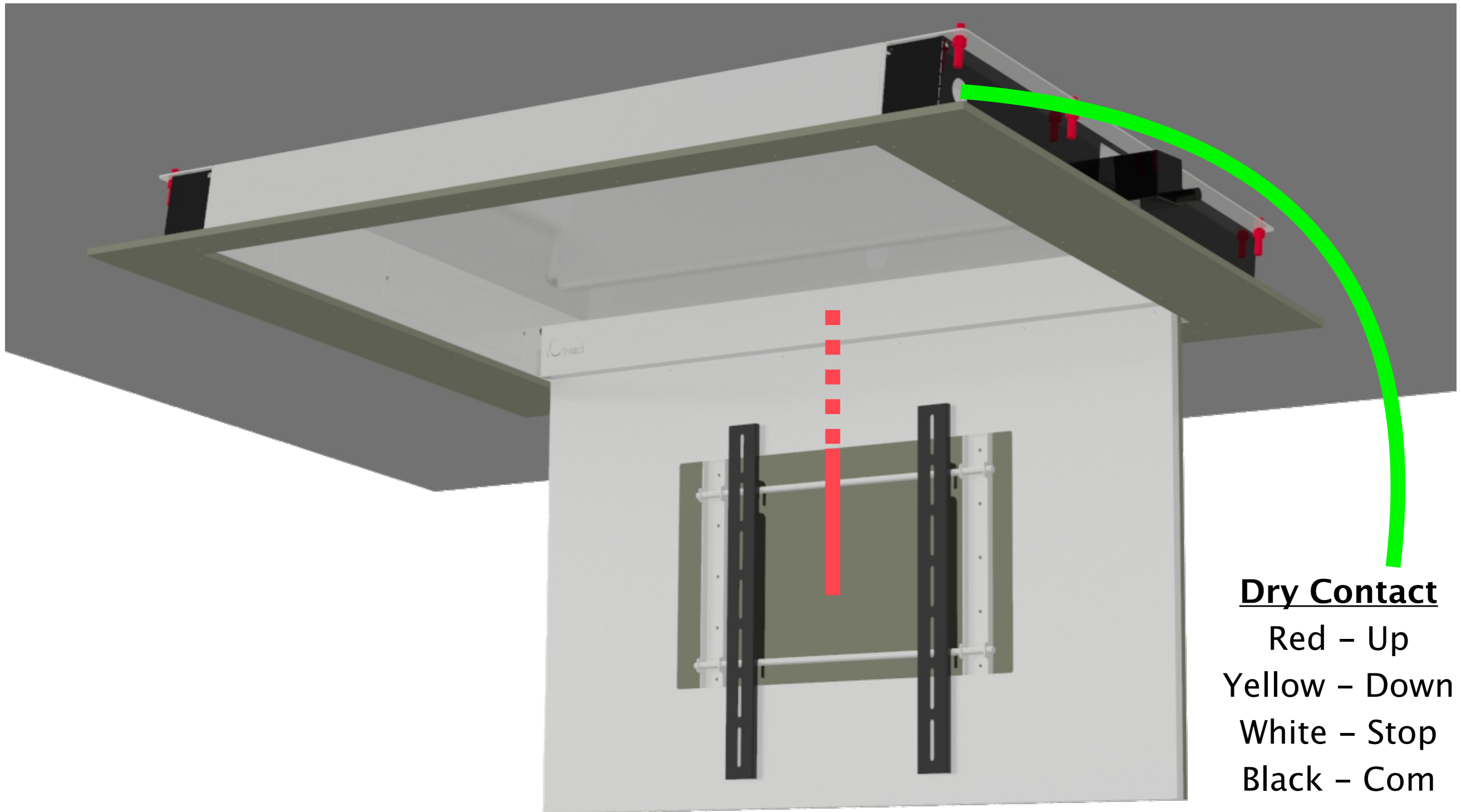
Connect the power supply to a power source 110v or 220v.
Connect the main cable that runs from the opening to the power supply as described.
Make sure that the power supply is easy accessible.
Click the Open button on the remote control one time, and wait until the lift door open.



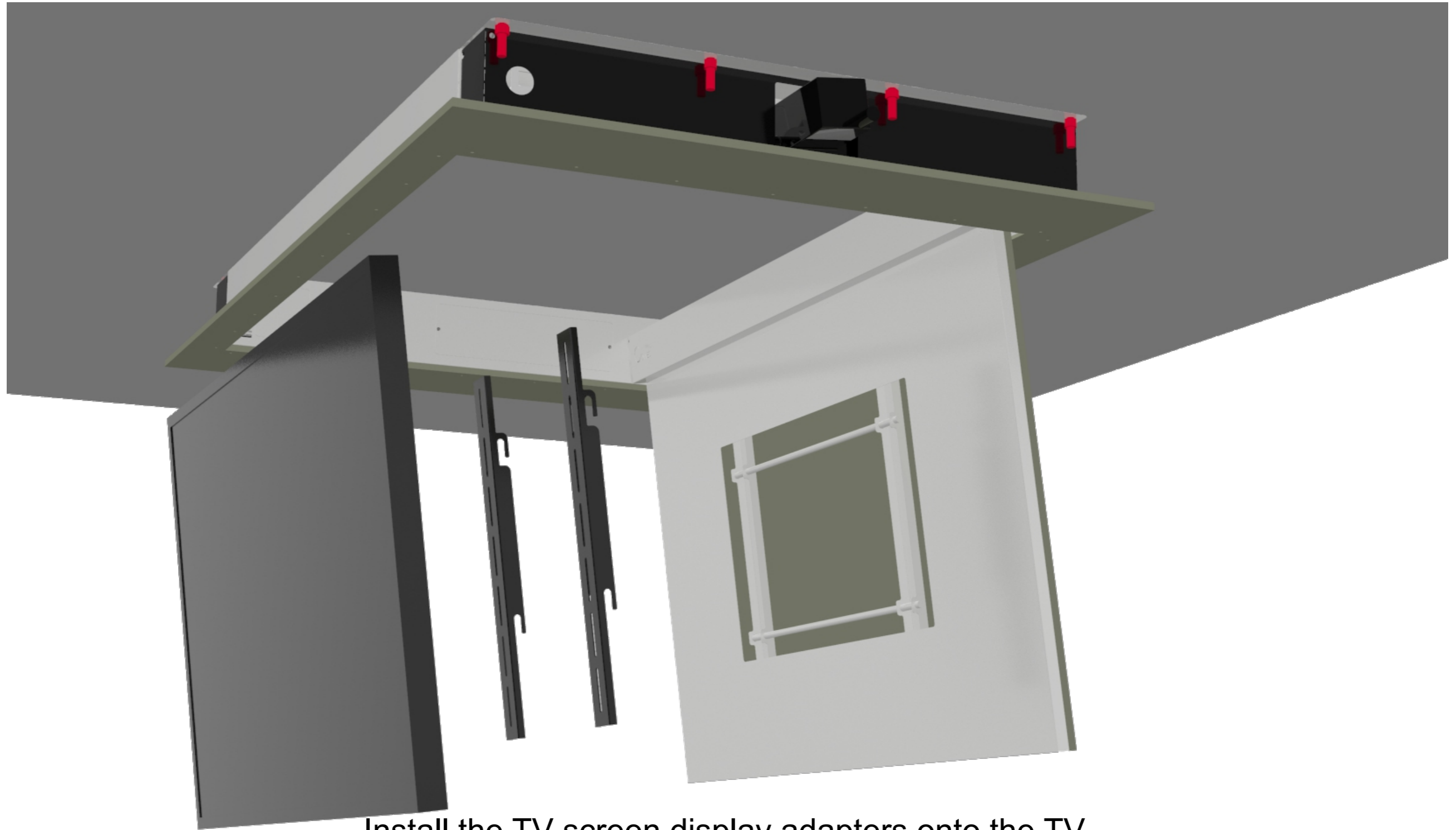
Loosen the screws of the cable cover



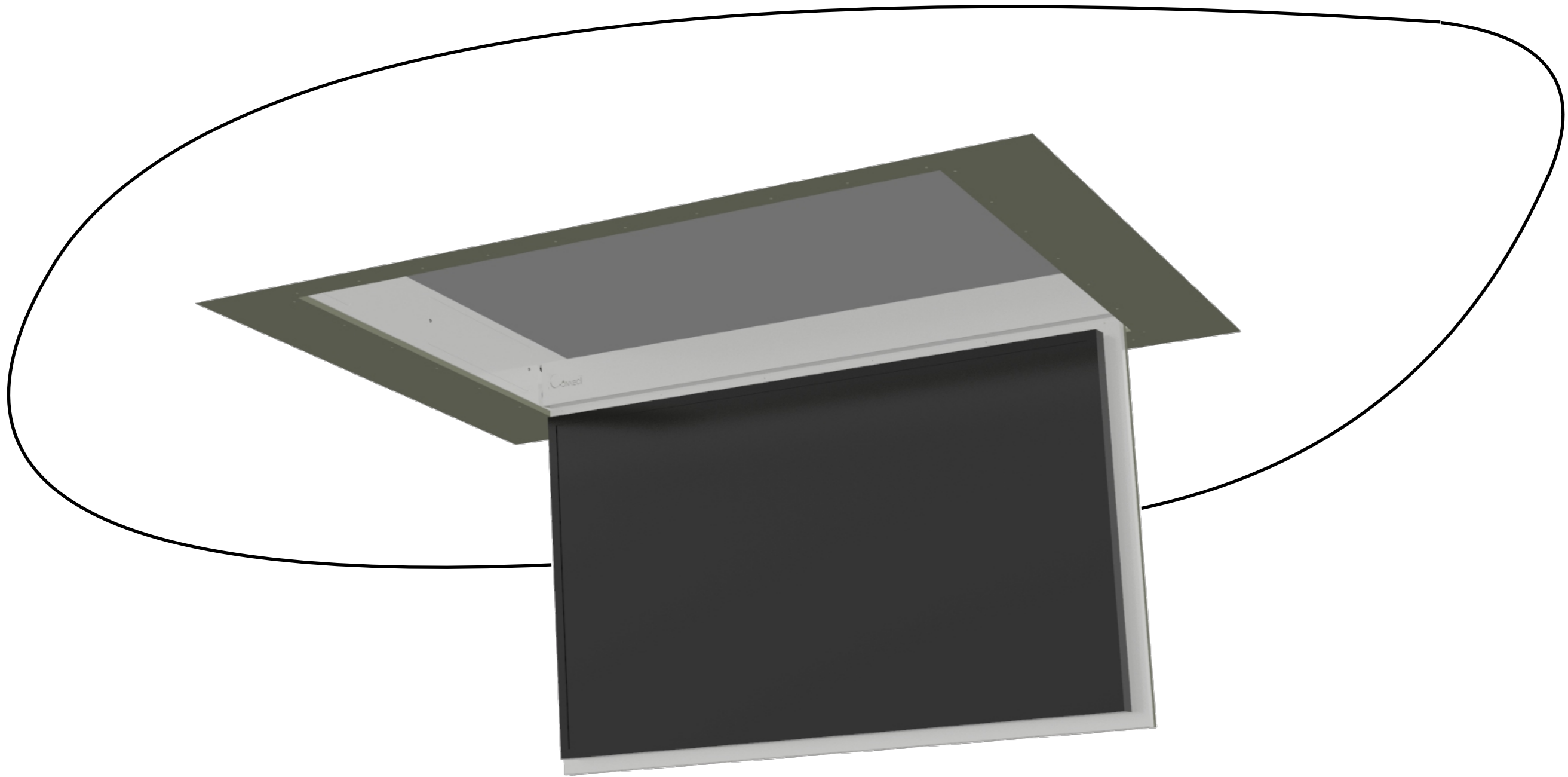
Move the wiring for the screen according to the description.
Close the cable cover.



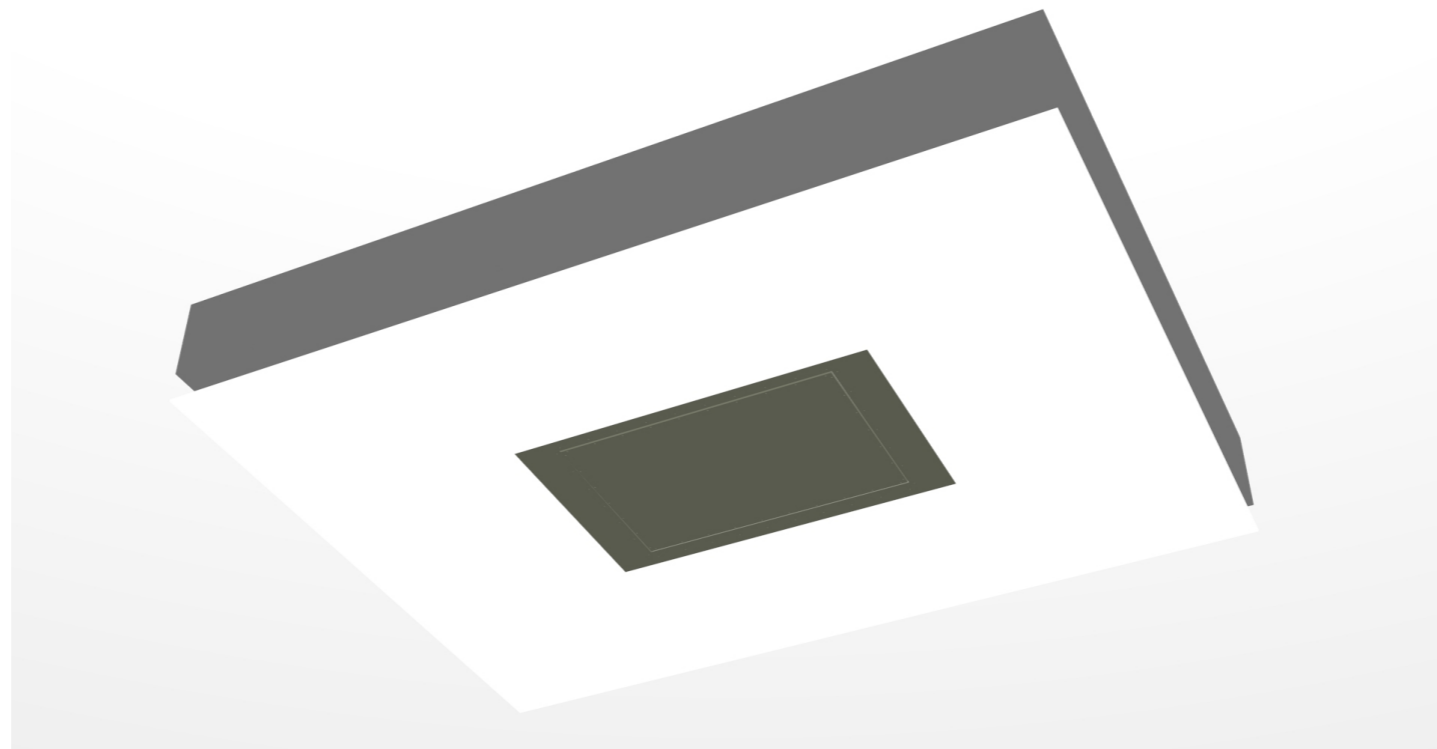
The **Red** line represents the wiring for the TV screen
The **Green** line represents the wiring for 24V DC and dry contact command



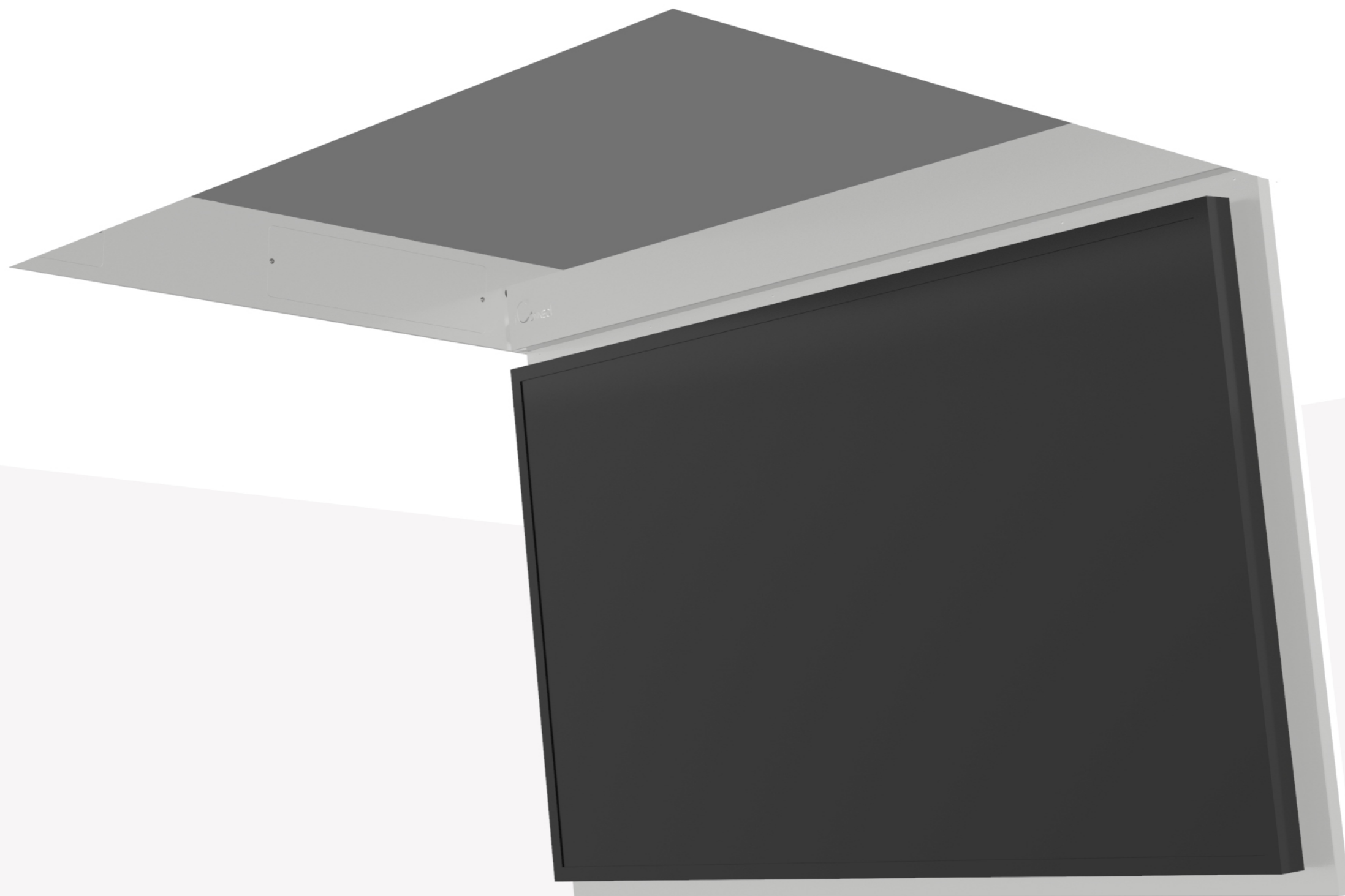
Install the TV screen display adapters onto the TV.
Connect the wiring to the screen.
Mount the screen on the brackets.



Adjust the MDF wooden frame flush to the ceiling.



Polisher connections and paint the ceiling.



Enjoy your product