

4

3

2

1

F

F

E

E

D

D

C

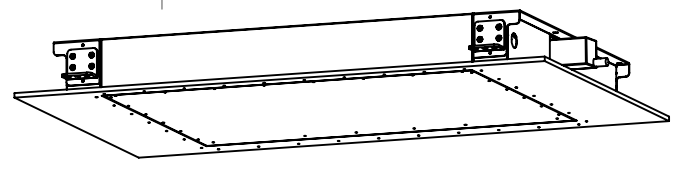
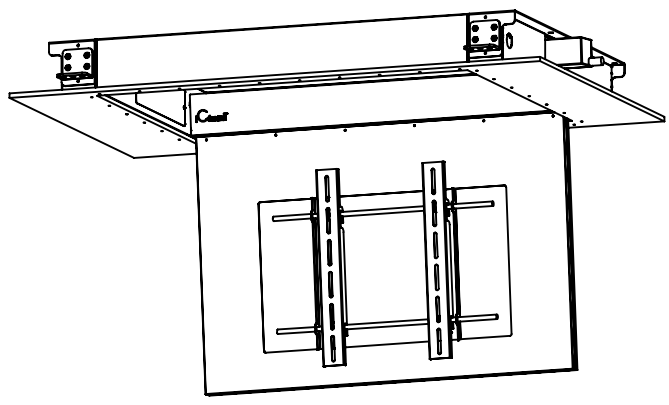
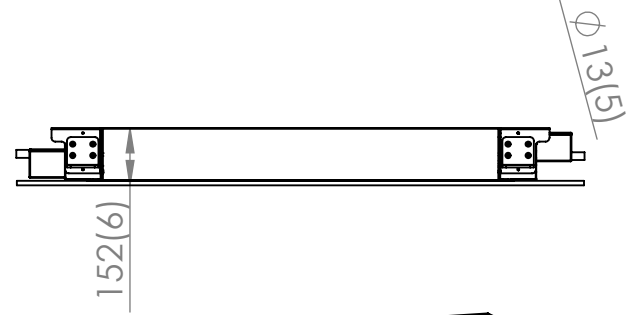
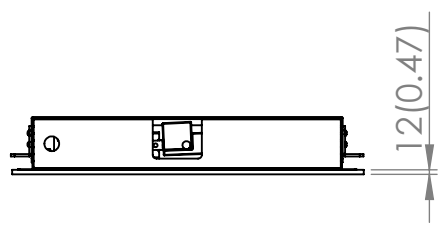
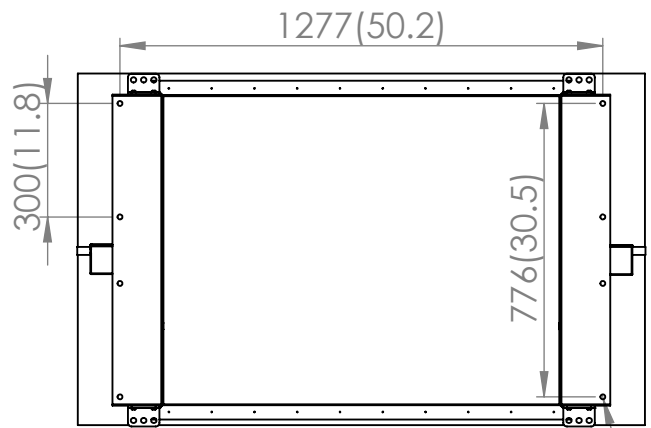
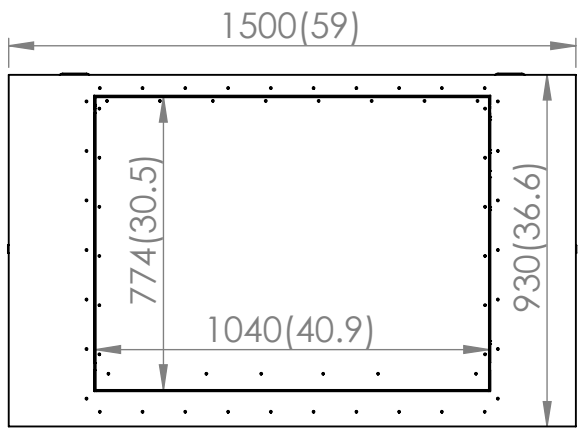
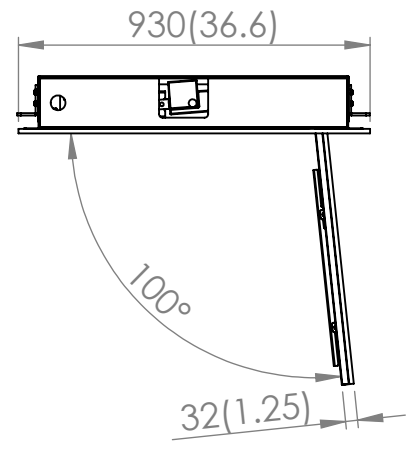
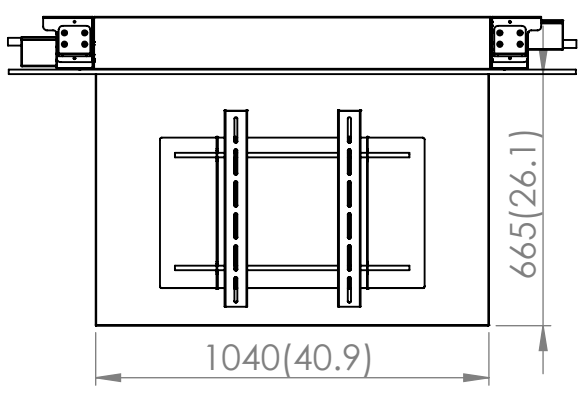
C

B

B

A

A



iCONNECT

© Copyright 2004-2023. All Rights Reserved.
iConnect Ltd

TITLE:
TVL-RH-43-2023

DWG NO. A4

SCALE: 1:50 SHEET 1 OF 1

4

3

2

1