

4

3

2

1

F

F

E

E

D

D

C

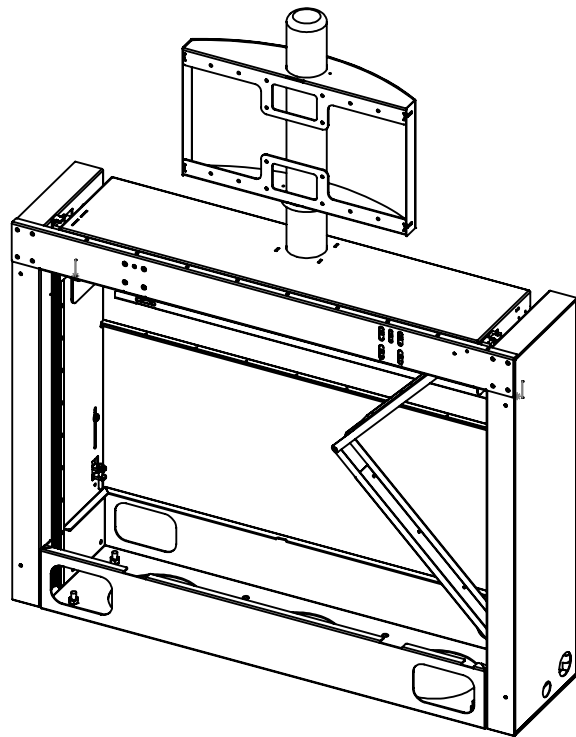
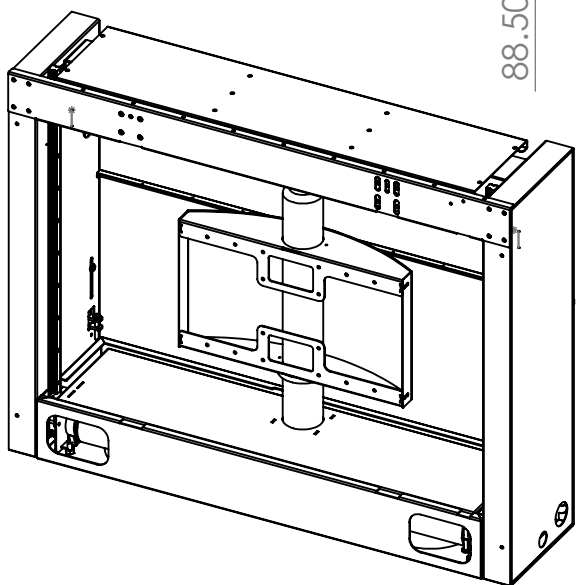
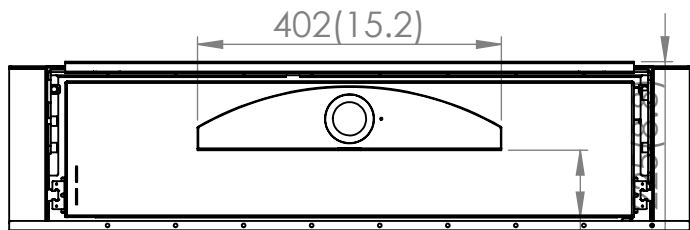
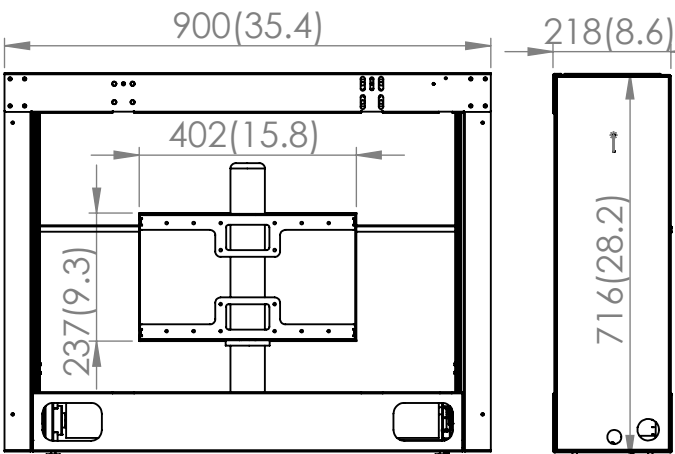
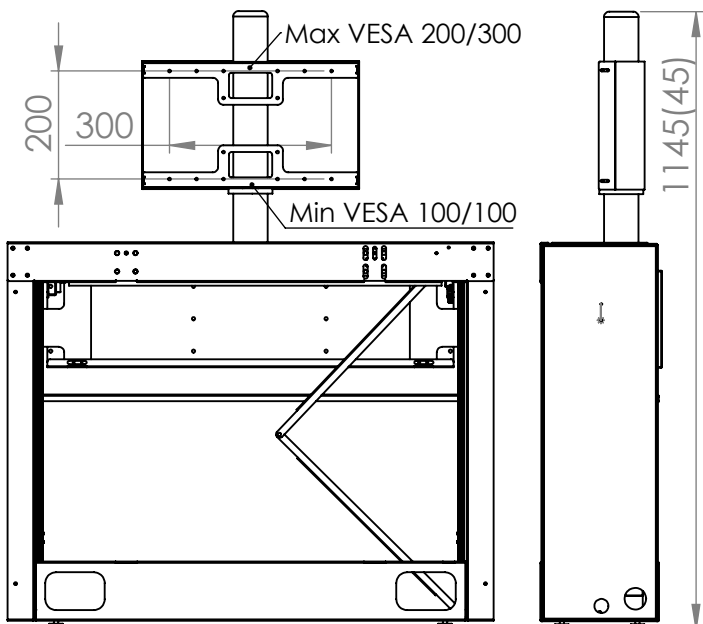
C

B

B

A

A



**iCONNECT**

© Copyright 2004-2023. All Rights Reserved.

iConnect Ltd

TITLE:

**TVL-C-32**

DWG NO.

A4

SCALE:1:10

SHEET 1 OF 1

4

3

2

1