

4

3

2

1

F

F

E

E

D

D

C

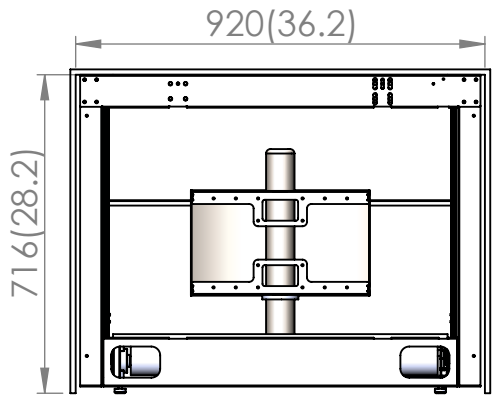
C

B

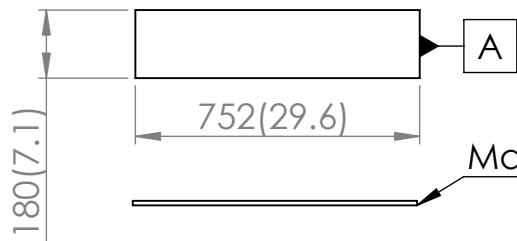
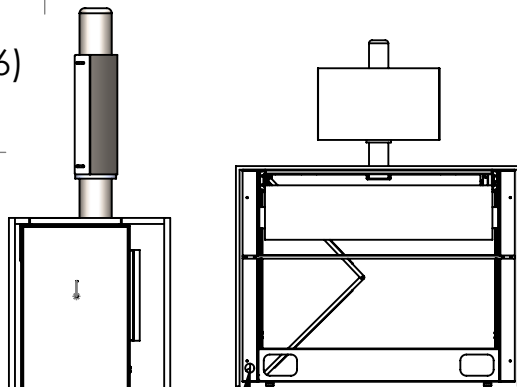
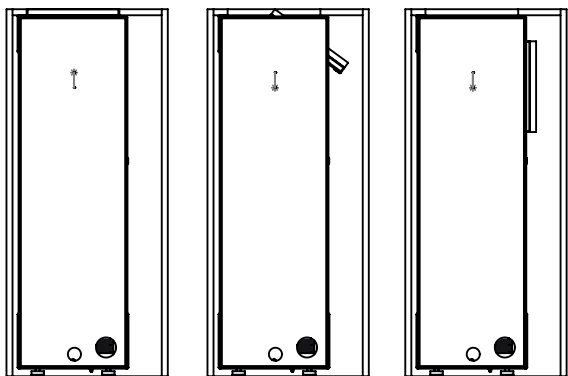
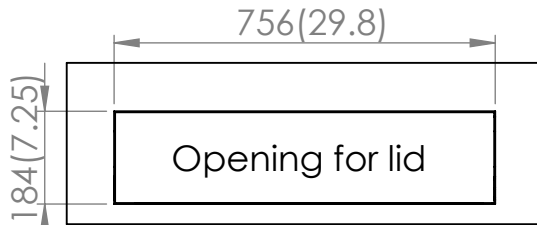
B

A

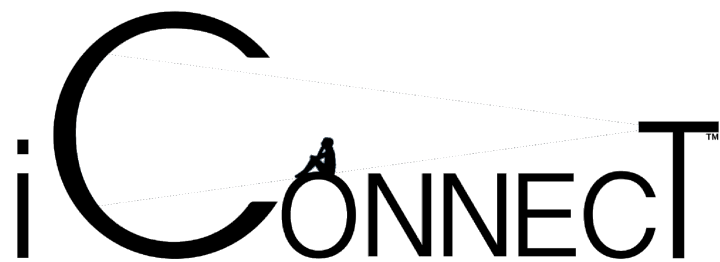
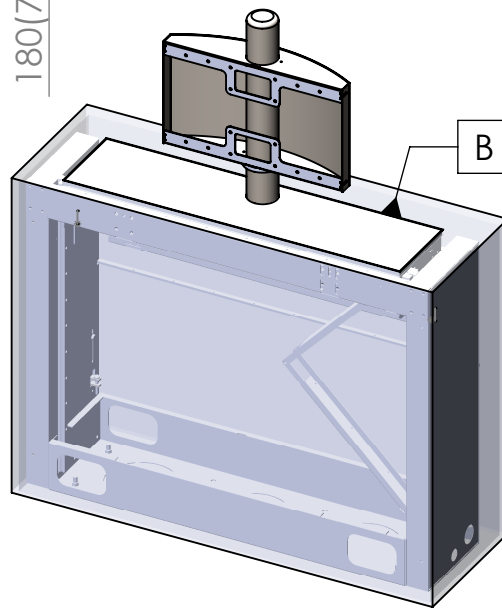
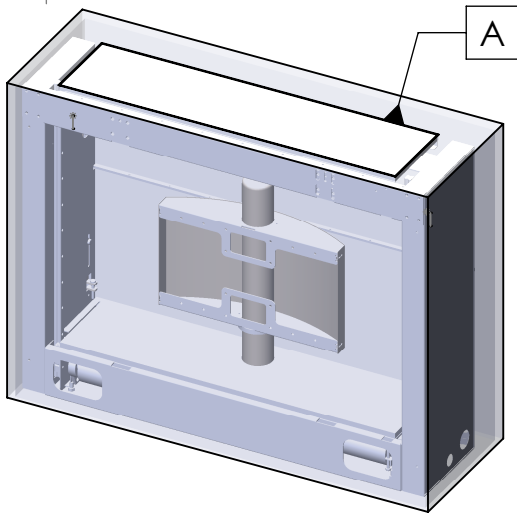
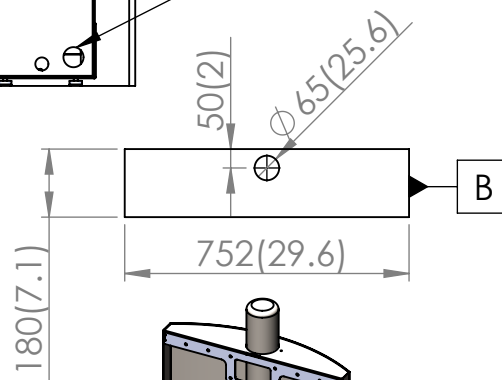
A



Min furniture size  
920/716/296  
(36.2)/(28.2)/(11.6)



Max thickness 12-25



© Copyright 2004-2023. All Rights Reserved.

iConnect Ltd

TITLE:

**TVL-C-32**  
**Furniture requirements**

DWG NO.

A4

SCALE:1:20

SHEET 1 OF 1

4

3

2

1